

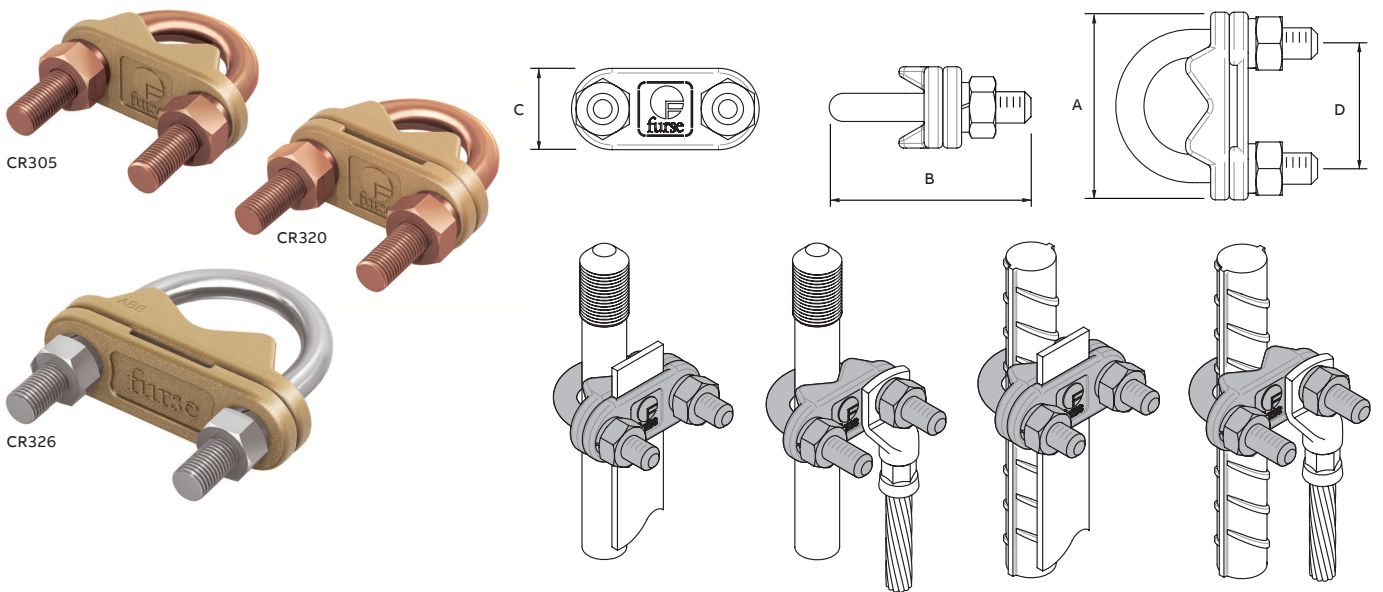
Earth bonds & clamps

Mechanical clamps



'U' bolt rod clamp (type E)

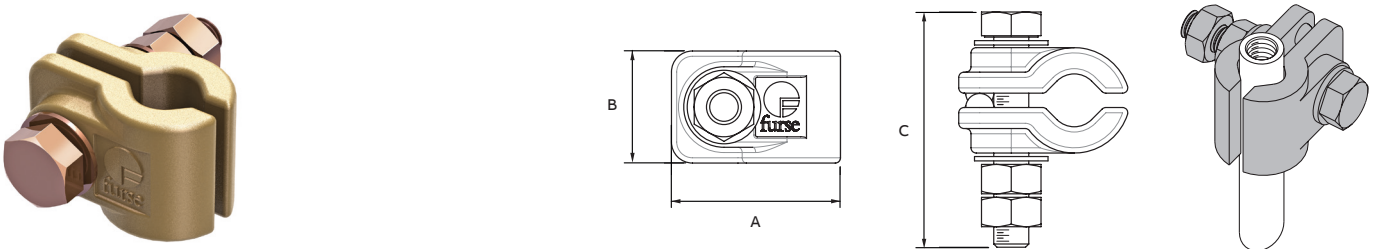
Part no.	ABB order code	'U' bolt material	Nominal rod/rebar diameter (mm)	Tape width (mm)	Dimensions (mm)				Weight each (kg)	Certification/standards
					A	B	C	D		
CR305	7TCA08321R0012	Copper	Ø14 - 25	-	60	65	26	40	0.18	●●●
CR320	7TCA08321R0015	Copper	Ø14 - 25	25	60	65	26	40	0.22	●●
CR325	7TCA08321R0018	Stainless steel	Ø26 - 40	-	80	84	26	54	0.24	●
CR326	7TCA08321R0020	Stainless steel	Ø26 - 40	25	80	84	26	54	0.34	●●
CR330	7TCA08321R0021	Copper	Ø41 - 50	-	90	90	26	64	0.44	●



Certification / Standards: ●BS 7430 / ●IEC/BS EN 62561-1 Class H / ●UL 467.
 CR320 & CR326 include additional plate to allow tape to be clamped without drilling.
 'U' bolt threaded M10.

Rod to cable clamp (type B)

Part no.	ABB order code	Nominal rod diameter		Rod type	Dimensions (mm)			Bolt size	Weight each (kg)	Certification/standards
		(")	(mm)		A	B	C			
CR205	7TCA083220R0002	Ø ³ / ₈	Ø9.5	Copperbond	27	20	44	M8	0.09	●
CR215	7TCA083220R0003	Ø ⁵ / ₈	Ø16	Copperbond	48	32	67	M10	0.30	●●
CR220	7TCA083220R0004	Ø ⁵ / ₈	Ø15	Solid copper	48	32	67	M10	0.30	●
CR225	7TCA083220R0005	Ø ³ / ₄	Ø20	Copperbond	48	32	67	M10	0.30	●
CR230	7TCA083220R0006	Ø ³ / ₄	Ø20	Solid copper	48	32	67	M10	0.30	●●



Certification / Standards: ●BS 7430 / ●IEC/BS EN 62561-1 Class H
 High strength copper alloy cable lug clamp designed to provide a high quality, low resistance connection between stranded conductor and earth rod.