

Earth bars

An efficient and convenient way of providing a common earth point



Furse earth bars provide an efficient and convenient way of providing a common earth point, and integral disconnecting links allow easy isolation for testing purposes. Available in a variety of lengths, copper or tinned copper bar with M10 stainless steel termination fixings.

Features & benefits

- The plastic channel base is highly corrosion resistant, made from high impact uPVC unlike the traditional galvanized steel channel
- The use of a modern polymer channel base has reduced the weight of the products, making them lighter and easier to handle
- Pre-drilled fixing holes included for ease of installation
- A range of designs to meet most installation requirements
- The hard drawn, high conductivity copper earth bars are available in either bright copper or tin plated finish

Application

Standard Furse earth bars are available in a variety of lengths, but all consist of a 50 mm wide by 6 mm thick copper or tinned copper bar with M10 stainless steel termination screws - standard product codes are provided.

Standard copper or tinned copper earth bars meet the majority of applications, however where a customer has a specific requirement, we can design and manufacture special earth bars and disconnecting links as appropriate. Special earth bar designs are provided for customer review and approval as required before manufacture.

Special earth bar design variables include:

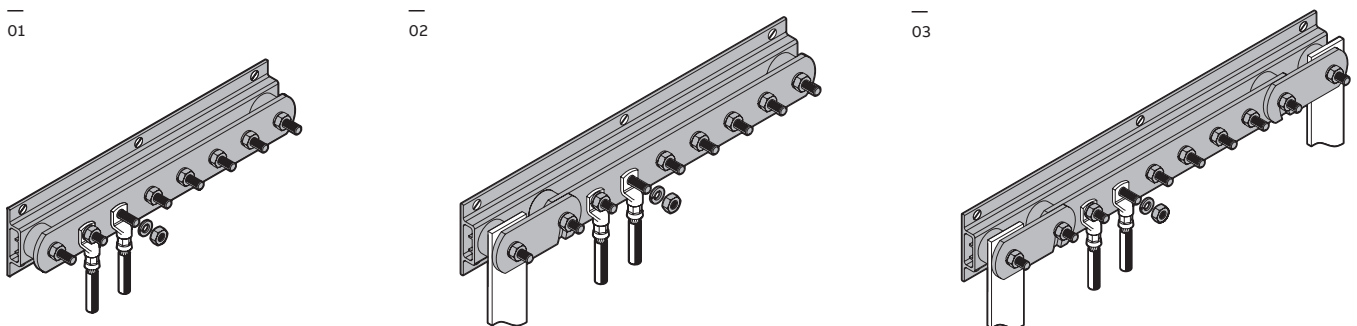
- Size and type of bolt, hex nut and washer
- Length, width and thickness of earth bar
- Number of disconnecting links, and their position
- Number of insulators
- Supplied with mounting base or without

Product information

Part no.	ABB order code	Description	Length (mm)	Weight each (kg)	Certification/standards
Earth Bar with stainless steel fixings					
Copper earth bar					
LK245-6SS	7TCA083670R1257	6 way	400	1.80	●
LK245-8SS	7TCA083670R1264	8 way	500	2.20	●
LK245-10SS	7TCA083670R1260	10 way	650	2.80	●
LK245-12SS	7TCA083670R1256	12 way	750	3.20	●
Tinned copper earth bar					
LK245-6TSS	7TCA083670R1279	6 way	400	1.80	●
LK245-8TSS	7TCA083670R1278	8 way	500	2.20	●
LK245-10TSS	7TCA083670R1277	10 way	650	2.80	●
LK245-12TSS	7TCA083670R1276	12 way	750	3.20	●
Earth Bar with stainless steel fixings and single disconnecting link					
Copper earth bar					
LK243-6SS	7TCA083670R1254	6 way	475	2.30	●
LK243-8SS	7TCA083670R1262	8 way	575	2.70	●
LK243-10SS	7TCA083670R1258	10 way	725	3.30	●
LK243-12SS	7TCA083670R1255	12 way	825	3.70	●
Tinned copper earth bar					
LK243-6TSS	7TCA083670R1275	6 way	475	2.30	●
LK243-8TSS	7TCA083670R1274	8 way	575	2.70	●
LK243-10TSS	7TCA083670R1273	10 way	725	3.30	●
LK243-12TSS	7TCA083670R1272	12 way	825	3.70	●
Earth Bar with stainless steel fixings and twin disconnecting links					
Copper earth bar					
LK207-6SS	7TCA083670R1263	6 way	550	2.80	●
LK207-8SS	7TCA083670R1265	8 way	650	3.20	●
LK207-10SS	7TCA083670R1259	10 way	800	3.80	●
LK207-12SS	7TCA083670R1261	12 way	900	4.20	●
Tinned copper earth bar					
LK207-6TSS	7TCA083670R1271	6 way	550	2.80	●
LK207-8TSS	7TCA083670R1270	8 way	650	3.20	●
LK207-10TSS	7TCA083670R1269	10 way	800	3.80	●
LK207-12TSS	7TCA083670R1268	12 way	900	4.20	●

Certification / Standards: ● BS 7430.
 Fix using countersunk wood screws 1½" No.12 (Part no. SW110) and wall plugs (Part no. PS310).
 Standard height 90 mm, standard depth 77 mm.
 Tightening torque 20 Nm.

Typical installation



01 - 6-way earth bar.
 02 - 6-way earth bar with single disconnecting link.
 03 - 6-way earth bar with twin disconnecting link.

We reserve the right to make technical changes or modify the contents of this document without prior notice. With regard to purchase orders, the agreed particulars shall prevail. ABB AG does not accept any responsibility whatsoever for potential errors or possible lack of information in this document.

We reserve all rights in this document and in the subject matter and illustrations contained therein. Any reproduction, disclosure to third parties or utilisation of its contents – in whole or in parts – is forbidden without prior written consent of ABB AG. Copyright © 2020 ABB. All rights reserved.