

Metallic Tape Clip

High quality conductor fasteners for securing flat tape



Furse Metallic Tape Clips are made of high quality alloys of either copper or aluminium, helping to keep flat tape conductors securely fixed whether for an electrical installation or a structural lightning protection system.

Features & benefits

- **Made to standard**
 - Metallic tape clips have been suitably tested to lightning protection product standard IEC/BS EN 62561-4
 - Lightning protection system components (LPSC) Part 4: Requirement for conductor fasteners
 - Fasteners suitable for electrical installations meet the material requirements of BS 7430
- **Versatile installation**
 - Available in either copper or aluminium and in a range of sizes, helping to secure all variations of both bare and PVC covered conductor tape
- **High quality materials**
 - Manufactured from proven corrosion resistant alloys of either copper or aluminium with robust fixings of stainless steel, naval brass or phosphor bronze.
- **Bespoke products available**
 - Other sizes can be made to order
- **Easy to install**
 - Fix using countersunk wood screws 1½" No. 10 or M6 (Part no. SW005 or SW105) and wall plugs (Part no. PS305)

Application

The choice of which type of conductor system to use can be based on many factors from country-specific historical preferences or aesthetic considerations to electrical current carrying capacity. However, for safety purposes, it is important to select the correct system of fasteners for each part of the conductor system.

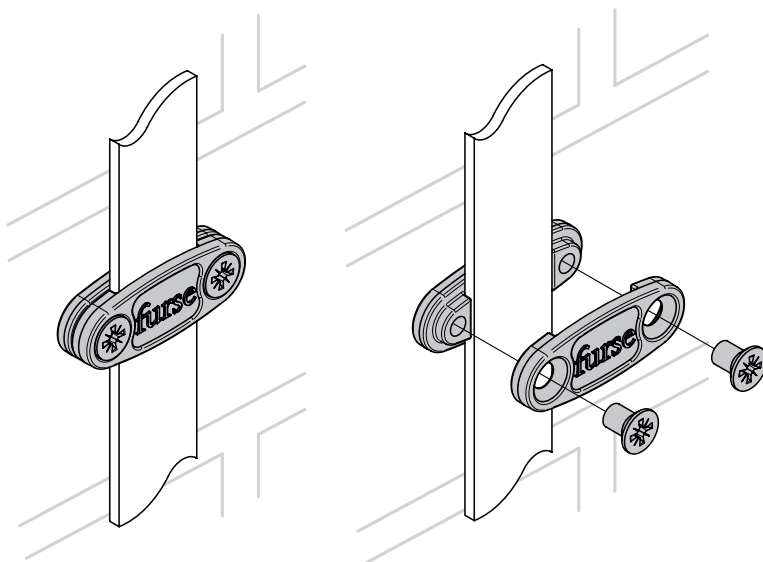
Furse Metallic Tape Clips are designed to secure Flat Tape conductor systems for the possible high currents of a power earthing application or the huge mechanical forces of a structural lightning protection system.

Product information

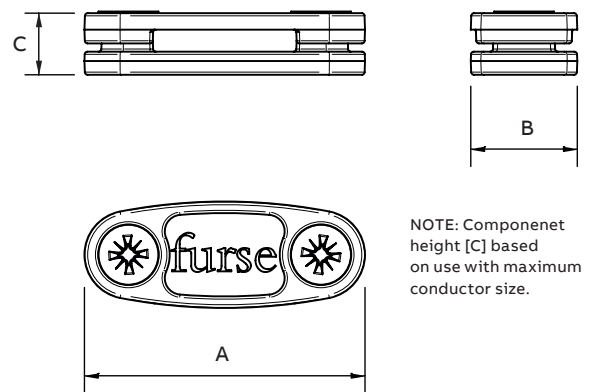
Part no.	ABB order code	Conductor width (mm)	Conductor thickness (mm)	Dimensions (mm)			Weight each (kg)	Certification / standards
				A	B	C		
For use with bare copper								
CP205	7TCA083510R0004	20	3	45	19	12	0.06	● ●
CP210	7TCA083510R0005	25	3-4	51	19	11	0.05	● ●
CP220	7TCA083510R0012	25	5-6	51	19	14	0.06	● ●
CP230	7TCA083510R0016	30-32	3-4	60	19	12	0.06	●
CP235	7TCA083510R0018	30-32	5-6.5	60	19	15	0.06	●
CP240	7TCA083510R0020	38-40	3-4	68	21	12	0.07	●
CP245	7TCA083510R0025	38-40	5-6.5	68	21	15	0.07	●
CP255	7TCA083510R0030	50	3-4	78	21	12	0.07	●
CP260	7TCA083510R0033	50	5-6.5	78	21	15	0.08	● ● ●
For use with PVC covered copper								
CP215	7TCA083510R0010	25	3-4	56	20	14	0.06	● ●
CP225	7TCA083510R0014	25	6	59	20	19	0.13	●
CP265	7TCA083510R0037	50	6	90	30	19	0.26	●
For use with lead covered copper								
CP305	7TCA083510R0039	25	3	59	20	16	0.20	●
For use with bare aluminium								
CP105	7TCA083520R0000	20	3	45	19	12	0.02	●
CP110	7TCA083520R0001	25	3-4	51	19	11	0.02	● ●
CP125	7TCA083520R0007	50	6	79	25	14	0.05	●
For use with PVC covered aluminium								
CP115	7TCA083520R0005	25	3	59	20	14	0.04	●
CP130	7TCA083520R0014	50	6	90	30	19	0.06	●

Certification / Standards: ● BS 7430 / ● IEC/BS EN 62561-4 / ● UL 96.
 NOTE: The shape of some products may vary from those illustrated.

Typical installation



Dimensions



NOTE: Component height [C] based on use with maximum conductor size.

We reserve the right to make technical changes or modify the contents of this document without prior notice. With regard to purchase orders, the agreed particulars shall prevail. ABB AG does not accept any responsibility whatsoever for potential errors or possible lack of information in this document.

We reserve all rights in this document and in the subject matter and illustrations contained therein. Any reproduction, disclosure to third parties or utilisation of its contents – in whole or in parts – is forbidden without prior written consent of ABB AG. Copyright © 2020 ABB. All rights reserved.