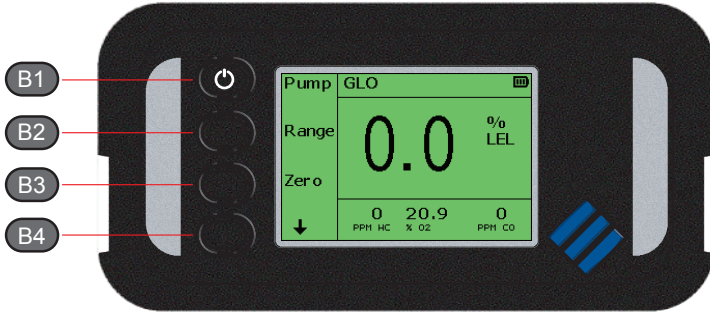


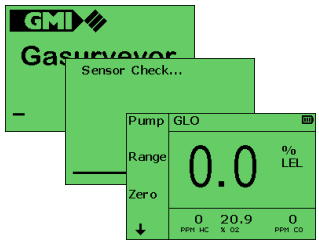
Gasurveyor 700

Quick Operation Guide

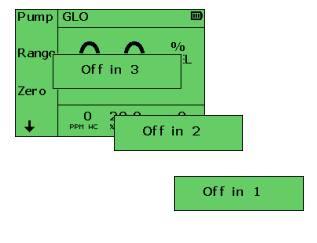
This guide refers to a default GS700.
Your monitor configuration may differ.



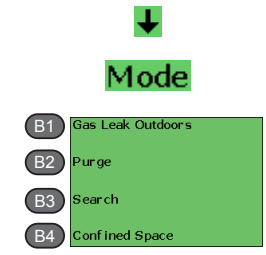
Switch On B1



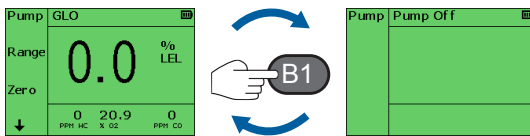
Switch Off B1



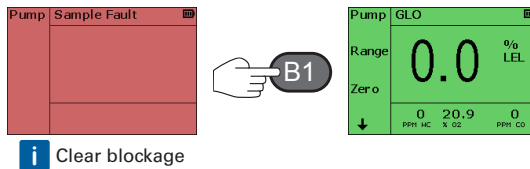
Mode Selection




Pump On / Off

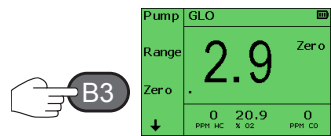


Sample Fault

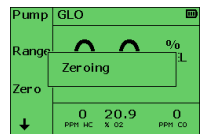


 Clear blockage

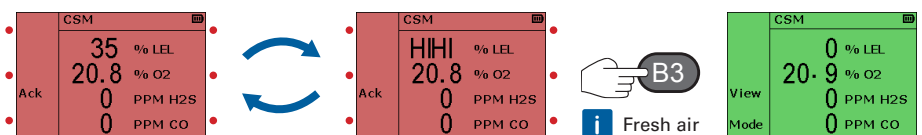
Zeroing



 Fresh air

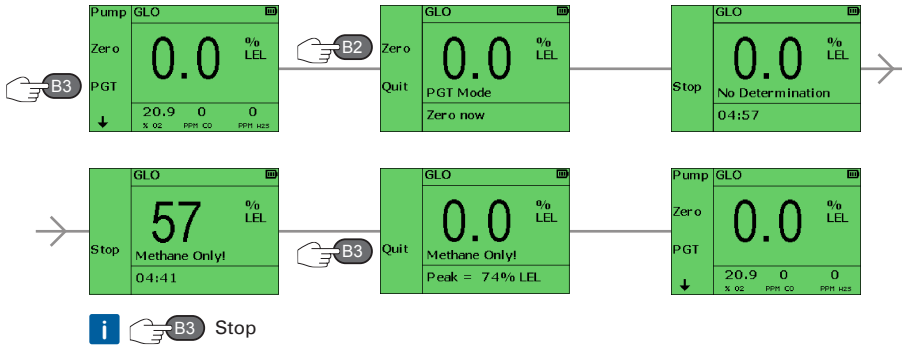


Alarm Acknowledge

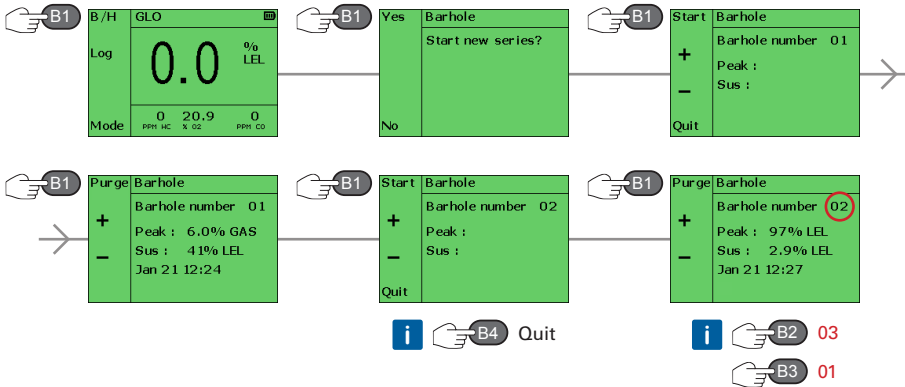


 Fresh air

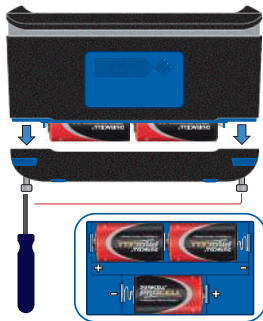
Pipeline Gas Test



Barhole Test - New Series



Battery Replacement



Charging

