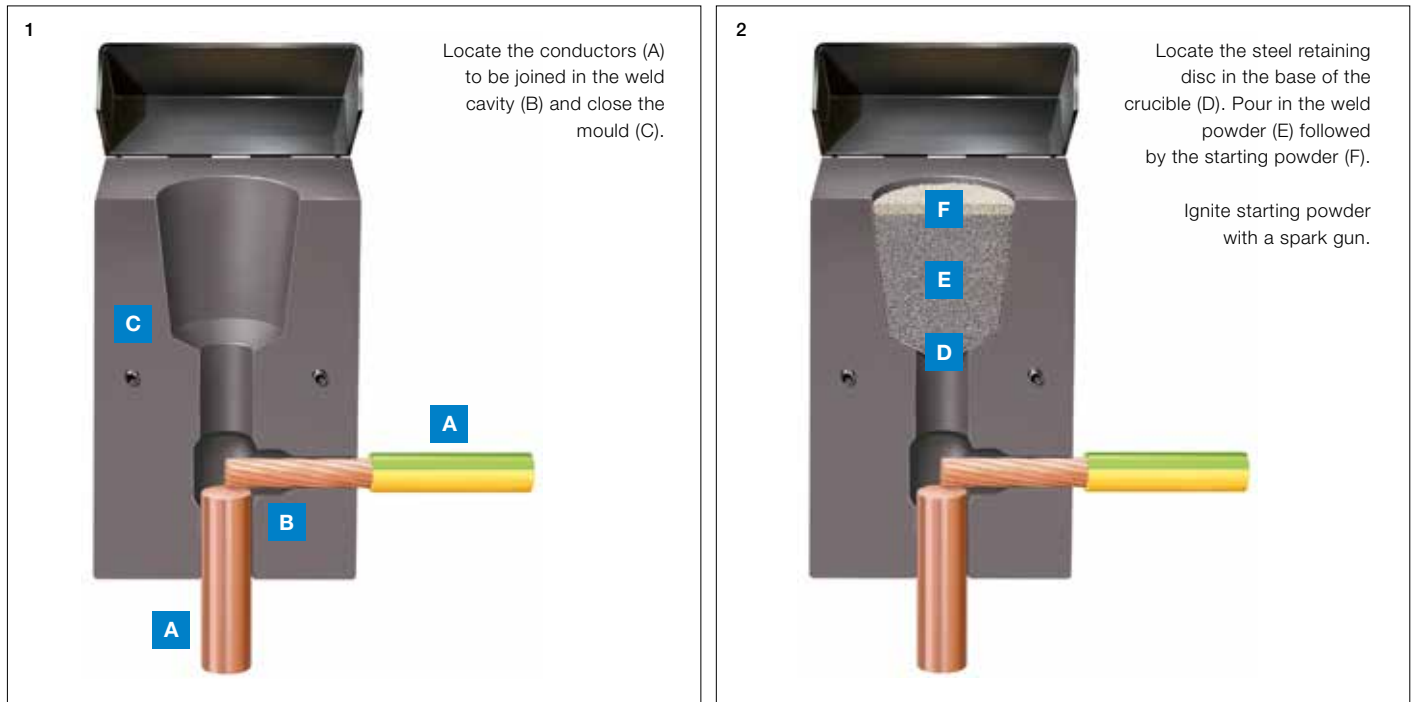


FurseWELD

Introduction



Making a FurseWELD joint is a simple procedure

9

Moulds

The FurseWELD system of exothermic welding uses moulds to contain the exothermic reaction that creates safe and robust connections. Different types of moulds are available, whose use depends on the requirements of the project.

Full-sized graphite moulds

Market leading FurseWELD graphite moulds are extremely robust and capable of producing up to 75 connections each, if not more when properly maintained.

Mini-Moulds

FurseWELD mini-moulds are a cost effective alternative to full-sized moulds, especially where lower numbers of connections are required. They are smaller overall, less robust and therefore lower priced. Care is required in order to achieve similar service lives to full-sized moulds.

FurseWELD products

- A powder cartridge is required for each joint to be made
- Handle clamps enable the mould to be handled when hot, and the two halves of the mould to be opened and clamped together
- Packing is required when welding to reinforcing bar

Conductors

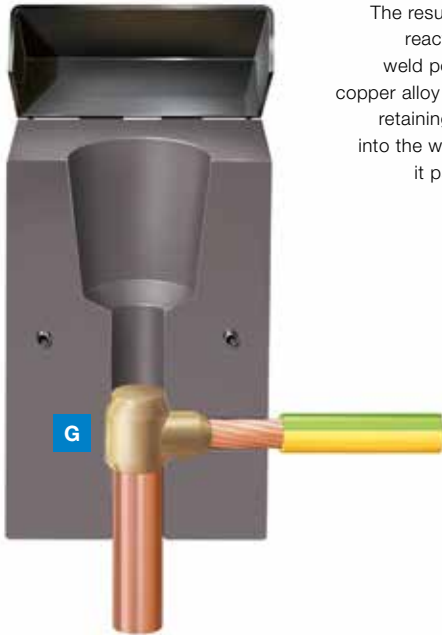
The range of FurseWELD moulds is designed to work with all common conductor formats.

- Flat tape conductor
- Stranded conductor
- Solid circular conductor

Conductors must be in the orientation shown to achieve the correct connection. Furse offers technical support to assist with selection of joint type. Please contact us where unsure, e.g. where you may be using compacted stranded conductor.

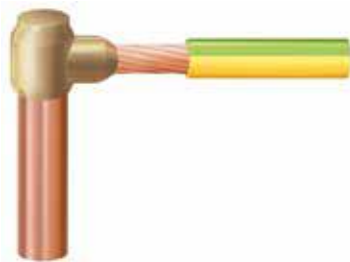
If connections shown do not meet your requirements, please contact your local sales office.

3



The resulting exothermic reaction reduces the weld powder to molten copper alloy which melts the retaining disc and flows into the weld cavity where it partially melts the conductors (G).

4



The molten copper alloy cools to leave a fusion weld of great mechanical and electrical integrity.

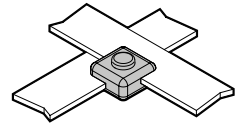
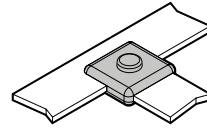
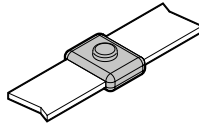
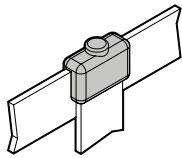
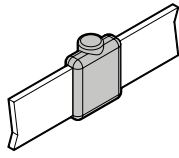
SureSHOT

The FurseWELD SureSHOT system is a single-use ceramic mould supplied complete with retaining disc and powders. It has been designed for use in applications where only a few connections are required.



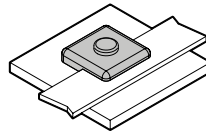
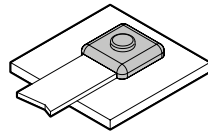
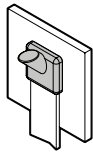
FurseWELD

Connection selection guide



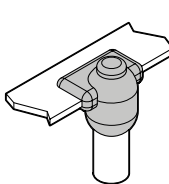
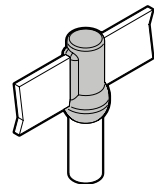
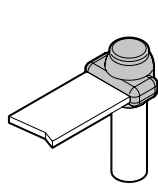
Bar to bar

Connection Type	Type BB1	Type BB3	Type BB7	Type BB14	Type BB41
Section 9 / Page No.	9/8	9/9	9/10	9/11	9/12



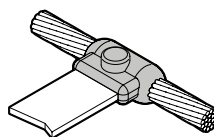
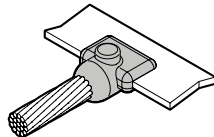
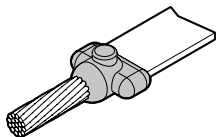
Bar to steel surface

Connection Type	Type BS1	Type BS2	Type BS3
Section 9 / Page No.	9/13	9/14	9/15



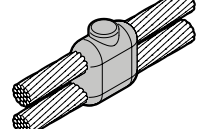
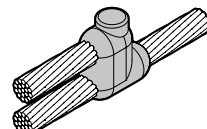
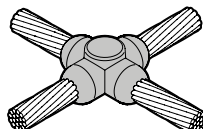
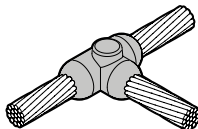
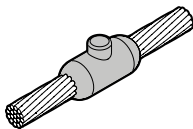
Bar to earth rod

Connection Type	Type BR1	Type BR2	Type BR7
Section 9 / Page No.	9/16	9/18	9/20



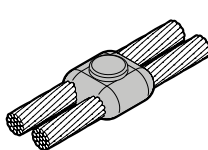
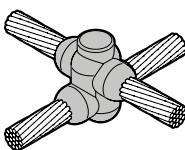
Cable to bar

Connection Type	Type CB1	Type CB4	Type CB5
Section 9 / Page No.	9/22	9/23	9/24

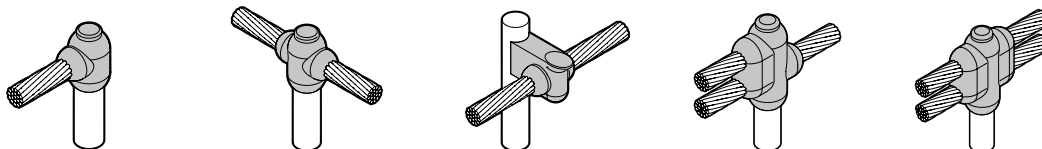


Cable to cable

Connection Type	Type CC1	Type CC2	Type CC4	Type CC6	Type CC7
Section 9 / Page No.	9/25	9/26	9/27	9/28	9/29

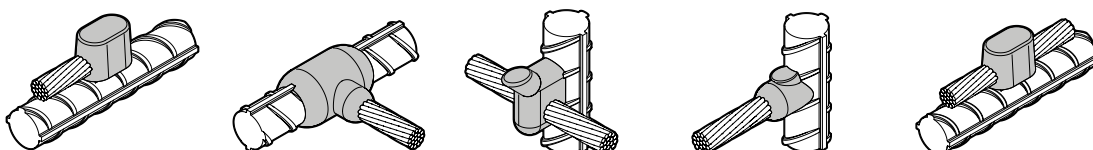


Connection Type	Type CC11	Type CC14
Section 9 / Page No.	9/30	9/31



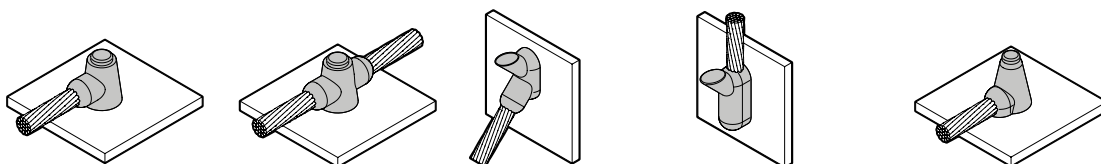
Cable to earth rod

Connection Type	Type CR1	Type CR2	Type CR3	Type CR17	Type CR24
Section 9 / Page No.	9/32	9/33	9/34	9/35	9/36



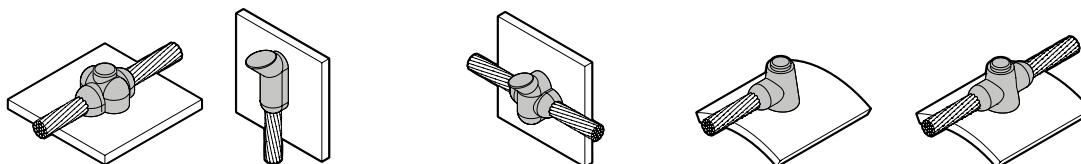
Cable to reinforcing bar

Connection Type	Type CRE1	Type CRE2	Type CRE3	Type CRE6	Type CRE17
Section 9 / Page No.	9/37	9/38	9/39	9/40	9/40



Cable to steel surface & pipe

Connection Type	Type CS1	Type CS2	Type CS3	Type CS7	Type CS8
Section 9 / Page No.	9/41	9/41	9/42	9/42	9/43



Connection Type	Type CS9	Type CS25	Type CS27	Type CS32	Type CS34
Section 9 / Page No.	9/43	9/44	9/44	9/45	9/46



Stud to steel surface

Connection Type	Type RS1	Type RS2
Section 9 / Page No.	9/47	9/47

SureSHOT

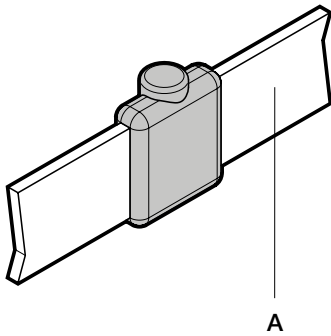
Connection Type	Type SS1	Type SS2
Section 9 / Page No.	9/49	9/49

Conductors must be in the orientation shown to achieve the correct connection

Furse offers technical support to assist with selection of joint type. If connections shown do not meet your requirements, please contact your local sales office on +44 (0)115 964 3700 (UK), +971 (0)4 609 1635 (Dubai) or +65 6776 5711 (Singapore) for assistance.

FurseWELD

Bar to bar BB1



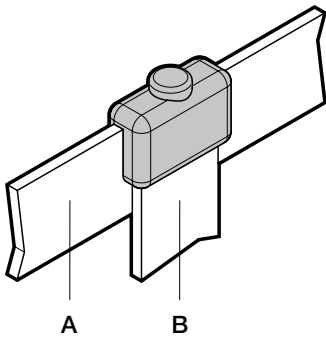
Bar to bar BB1 - FurseWELD

Flat tape conductor size A (mm)	Part no.				
	Powder cartridge	Standard mould	Handle clamp	Mini mould	Mini handle clamp
20 x 3	45P10	BB1-4-203	HCPK4	BB1-3-203	HCPK3
25 x 3	65P10	BB1-4-253	HCPK4	BB1-3-253	HCPK3
25 x 4	90P10	BB1-4-254	HCPK4	BB1-3-254	HCPK3
25 x 6	150P10	BB1-4-256	HCPK4	-	-
30 x 2	65P10	BB1-4-302	HCPK4	BB1-3-302	HCPK3
30 x 3	90P10	BB1-4-303	HCPK4	BB1-3-303	HCPK3
30 x 4	115P10	BB1-4-304	HCPK4	BB1-3-304	HCPK3
30 x 5	115P10	BB1-4-305	HCPK4	BB1-3-305	HCPK3
31 x 3	90P10	BB1-4-313	HCPK4	BB1-3-313	HCPK3
31 x 6	150P10	BB1-4-316	HCPK4	-	-
38 x 3	115P10	BB1-4-383	HCPK4	-	-
38 x 5	150P10	BB1-4-385	HCPK4	-	-
38 x 6	200P10	BB1-4-386	HCPK4	-	-
40 x 3	115P10	BB1-4-403	HCPK4	-	-
40 x 4	150P10	BB1-4-404	HCPK4	-	-
40 x 5	150P10	BB1-4-405	HCPK4	-	-
40 x 6	200P10	BB1-4-406	HCPK4	-	-
50 x 3	150P10	BB1-4-503	HCPK4	-	-
50 x 4	200P10	BB1-4-504	HCPK4	-	-
50 x 5	200P10	BB1-4-505	HCPK4	-	-
50 x 6	250P10	BB1-4-506	HCPK4	-	-

Special moulds for all FurseWELD products can be manufactured to meet specific customer applications on request

FurseWELD

Bar to bar BB3



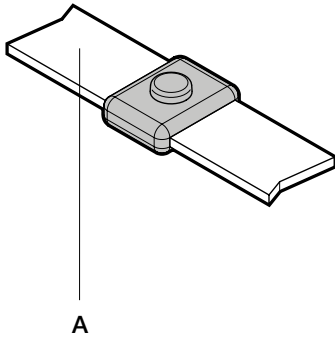
Bar to bar BB3 - FurseWELD

Flat tape conductor size A (mm)	Flat tape conductor size B (mm)	Part no.				
		Powder cartridge	Standard mould	Handle clamp	Mini mould	Mini handle clamp
20 x 3	20 x 3	65P10	BB3-4-203203	HCPK4	BB3-3-203203	HCPK3
25 x 3	25 x 3	65P10	BB3-4-253253	HCPK4	BB3-3-253253	HCPK3
25 x 4	25 x 4	90P10	BB3-4-254254	HCPK4	BB3-3-254254	HCPK3
25 x 6	25 x 6	150P10	BB3-4-256256	HCPK4	–	–
30 x 2	30 x 2	65P10	BB3-4-302302	HCPK4	BB3-3-302302	HCPK3
30 x 3	30 x 3	90P10	BB3-4-303303	HCPK4	BB3-3-303303	HCPK3
30 x 4	30 x 4	115P10	BB3-4-304304	HCPK4	BB3-3-304304	HCPK3
30 x 5	30 x 5	115P10	BB3-4-305305	HCPK4	BB3-3-305305	HCPK3
31 x 3	31 x 3	115P10	BB3-4-313313	HCPK4	BB3-3-313313	HCPK3
31 x 6	31 x 6	200P10	BB3-4-316316	HCPK4	–	–
38 x 3	38 x 3	115P10	BB3-4-383383	HCPK4	–	–
38 x 5	38 x 5	150P10	BB3-4-385385	HCPK4	–	–
38 x 6	38 x 6	200P10	BB3-4-386386	HCPK4	–	–
40 x 3	40 x 3	115P10	BB3-4-403403	HCPK4	–	–
40 x 4	40 x 4	150P10	BB3-4-404404	HCPK4	–	–
40 x 5	40 x 5	150P10	BB3-4-405405	HCPK4	–	–
40 x 6	40 x 6	200P10	BB3-4-406406	HCPK4	–	–
50 x 3	50 x 3	200P10	BB3-4-503503	HCPK4	–	–
50 x 4	50 x 4	200P10	BB3-4-504504	HCPK4	–	–
50 x 5	50 x 5	200P10	BB3-4-505505	HCPK4	–	–
50 x 6	50 x 6	250P10	BB3-4-506506	HCPK4	–	–

Special moulds for all FurseWELD products can be manufactured to meet specific customer applications on request

FurseWELD

Bar to bar BB7



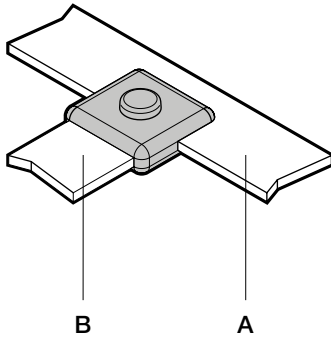
Bar to bar BB7 - FurseWELD

Flat tape conductor size A (mm)	Part no.				
	Powder cartridge	Standard mould	Handle clamp	Mini mould	Mini handle clamp
20 x 3	45P10	BB7-4-203	HCPK4	BB7-3-203	HCPK3
25 x 3	65P10	BB7-4-253	HCPK4	BB7-3-253	HCPK3
25 x 4	90P10	BB7-4-254	HCPK4	BB7-3-254	HCPK3
25 x 6	115P10	BB7-4-256	HCPK4	BB7-3-256	HCPK3
30 x 2	65P10	BB7-4-302	HCPK4	BB7-3-302	HCPK3
30 x 3	65P10	BB7-4-303	HCPK4	BB7-3-303	HCPK3
30 x 4	90P10	BB7-4-304	HCPK4	BB7-3-304	HCPK3
30 x 5	115P10	BB7-4-305	HCPK4	BB7-3-305	HCPK3
31 x 3	65P10	BB7-4-313	HCPK4	BB7-3-313	HCPK3
31 x 6	150P10	BB7-4-316	HCPK4	–	–
38 x 3	90P10	BB7-4-383	HCPK4	–	–
38 x 5	150P10	BB7-4-385	HCPK4	–	–
38 x 6	200P10	BB7-4-386	HCPK4	–	–
40 x 3	90P10	BB7-4-403	HCPK4	–	–
40 x 4	115P10	BB7-4-404	HCPK4	–	–
40 x 5	150P10	BB7-4-405	HCPK4	–	–
40 x 6	200P10	BB7-4-406	HCPK4	–	–
50 x 3	150P10	BB7-5-503	HCPK5	–	–
50 x 4	200P10	BB7-5-504	HCPK5	–	–
50 x 5	200P10	BB7-5-505	HCPK5	–	–
50 x 6	250P10	BB7-5-506	HCPK5	–	–

Special moulds for all FurseWELD products can be manufactured to meet specific customer applications on request

FurseWELD

Bar to bar BB14



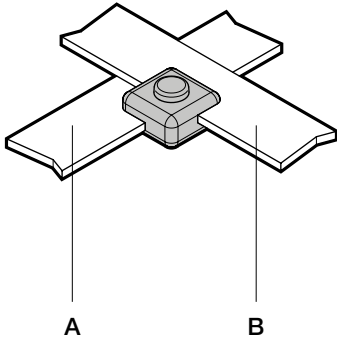
Bar to bar BB14 - FurseWELD

Flat tape conductor size A (mm)	Flat tape conductor size B (mm)	Part no.				
		Powder cartridge	Standard mould	Handle clamp	Mini mini mould	Handle clamp
20 x 3	20 x 3	45P10	BB14-4-203203	HCPK4	BB14-3-203203	HCPK3
25 x 3	25 x 3	65P10	BB14-4-253253	HCPK4	BB14-3-253253	HCPK3
25 x 4	25 x 4	90P10	BB14-4-254254	HCPK4	BB14-3-254254	HCPK3
25 x 6	25 x 6	115P10	BB14-4-256256	HCPK4	BB14-3-256256	HCPK3
30 x 2	30 x 2	65P10	BB14-4-302302	HCPK4	BB14-3-302302	HCPK3
30 x 3	30 x 3	65P10	BB14-4-303303	HCPK4	BB14-3-303303	HCPK3
30 x 4	30 x 4	90P10	BB14-4-304304	HCPK4	BB14-3-304304	HCPK3
30 x 5	30 x 5	115P10	BB14-4-305305	HCPK4	BB14-3-305305	HCPK3
31 x 3	31 x 3	90P10	BB14-4-313313	HCPK4	BB14-3-313313	HCPK3
31 x 6	31 x 6	150P10	BB14-4-316316	HCPK4	—	—
38 x 3	38 x 3	90P10	BB14-4-383383	HCPK4	—	—
38 x 5	38 x 5	150P10	BB14-4-385385	HCPK4	—	—
38 x 6	38 x 6	200P10	BB14-4-386386	HCPK4	—	—
40 x 3	40 x 3	90P10	BB14-4-403403	HCPK4	—	—
40 x 4	40 x 4	115P10	BB14-4-404404	HCPK4	—	—
40 x 5	40 x 5	150P10	BB14-4-405405	HCPK4	—	—
40 x 6	40 x 6	200P10	BB14-4-406406	HCPK4	—	—
50 x 3	50 x 3	150P10	BB14-5-503503	HCPK5	—	—
50 x 4	50 x 4	200P10	BB14-5-504504	HCPK5	—	—
50 x 5	50 x 5	200P10	BB14-5-505505	HCPK5	—	—
50 x 6	50 x 6	250P10	BB14-5-506506	HCPK5	—	—

Special moulds for all FurseWELD products can be manufactured to meet specific customer applications on request

FurseWELD

Bar to bar BB41



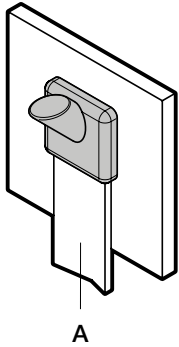
Bar to bar BB41 - FurseWELD

Flat tape conductor size A (mm)	Flat tape conductor size B (mm)	Part no.				
		Powder cartridge	Standard mould	Handle clamp	Mini mould	Mini handle clamp
20 x 3	20 x 3	65P10	BB41-4-203203	HCPK4	BB41-3-203203	HCPK3
25 x 3	25 x 3	65P10	BB41-4-253253	HCPK4	BB41-3-253253	HCPK3
25 x 4	25 x 4	90P10	BB41-4-254254	HCPK4	BB41-3-254254	HCPK3
25 x 6	25 x 6	115P10	BB41-4-256256	HCPK4	BB41-3-256256	HCPK3
30 x 2	30 x 2	65P10	BB41-4-302302	HCPK4	BB41-3-302302	HCPK3
30 x 3	30 x 3	115P10	BB41-4-303303	HCPK4	BB41-3-303303	HCPK3
30 x 4	30 x 4	115P10	BB41-4-304304	HCPK4	BB41-3-304304	HCPK3
30 x 5	30 x 5	115P10	BB41-4-305305	HCPK4	BB41-3-305305	HCPK3
31 x 3	31 x 3	115P10	BB41-4-313313	HCPK4	BB41-3-313313	HCPK3
31 x 6	31 x 6	115P10	BB41-4-316316	HCPK4	BB41-3-316316	HCPK3
38 x 3	38 x 3	150P10	BB41-4-383383	HCPK4	—	—
38 x 5	38 x 5	150P10	BB41-4-385385	HCPK4	—	—
38 x 6	38 x 6	200P10	BB41-4-386386	HCPK4	—	—
40 x 3	40 x 3	200P10	BB41-4-403403	HCPK4	—	—
40 x 4	40 x 4	200P10	BB41-4-404404	HCPK4	—	—
40 x 5	40 x 5	200P10	BB41-4-405405	HCPK4	—	—
40 x 6	40 x 6	200P10	BB41-4-406406	HCPK4	—	—
50 x 3	50 x 3	200P10	BB41-5-503503	HCPK5	—	—
50 x 4	50 x 4	200P10	BB41-5-504504	HCPK5	—	—
50 x 5	50 x 5	200P10	BB41-5-505505	HCPK5	—	—
50 x 6	50 x 6	200P10	BB41-5-506506	HCPK5	—	—

Special moulds for all FurseWELD products can be manufactured to meet specific customer applications on request

FurseWELD

Bar to steel surface BS1



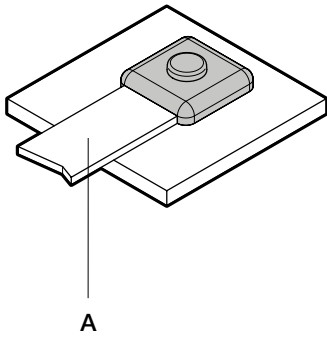
Bar to steel surface BS1 - FurseWELD

Flat Tape conductor size A (mm)	Part no.				
	Powder cartridge	Standard mould	Handle clamp	Mini mould	Mini handle clamp
20 x 3	65P10	BS1-4-203	HCPK4	BS1-3-203	HCPK3
25 x 3	90P10	BS1-4-253	HCPK4	BS1-3-253	HCPK3
25 x 4	90P10	BS1-4-254	HCPK4	BS1-3-254	HCPK3
25 x 6	150P10	BS1-4-256	HCPK4	–	–
30 x 2	90P10	BS1-4-302	HCPK4	BS1-3-302	HCPK3
30 x 3	90P10	BS1-4-303	HCPK4	BS1-3-303	HCPK3
30 x 4	115P10	BS1-4-304	HCPK4	BS1-3-304	HCPK3
30 x 5	150P10	BS1-4-305	HCPK4	–	–
31 x 3	90P10	BS1-4-313	HCPK4	BS1-3-313	HCPK3
31 x 6	200P10	BS1-4-316	HCPK4	–	–
38 x 3	150P10	BS1-4-383	HCPK4	–	–
38 x 5	200P10	BS1-4-385	HCPK4	–	–
38 x 6	250P10	BS1-4-386	HCPK4	–	–
40 x 3	150P10	BS1-4-403	HCPK4	–	–
40 x 4	200P10	BS1-4-404	HCPK4	–	–
40 x 5	200P10	BS1-4-405	HCPK4	–	–
40 x 6	250P10	BS1-4-406	HCPK4	–	–
50 x 3	200P10	BS1-4-503	HCPK4	–	–
50 x 4	250P10	BS1-4-504	HCPK4	–	–
50 x 5	250P10	BS1-4-505	HCPK4	–	–
50 x 6	2 x 150P10	BS1-5-506	HCPK5	–	–

Special moulds for all FurseWELD products can be manufactured to meet specific customer applications on request

FurseWELD

Bar to steel surface BS2



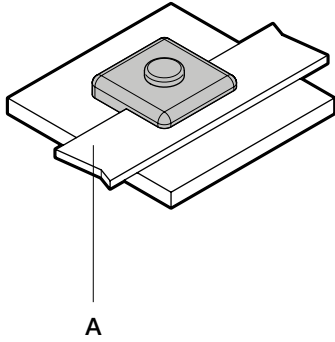
Bar to steel surface BS2 - FurseWELD

Flat tape conductor size A (mm)	Part no.				
	Powder cartridge	Standard mould	Handle clamp	Mini mould	Mini handle clamp
20 x 3	90P10	BS2-4-203	HCPK4	BS2-3-203	HCPK3
25 x 3	90P10	BS2-4-253	HCPK4	BS2-3-253	HCPK3
25 x 4	90P10	BS2-4-254	HCPK4	BS2-3-254	HCPK3
25 x 6	150P10	BS2-4-256	HCPK4	–	–
30 x 2	115P10	BS2-4-302	HCPK4	BS2-3-302	HCPK3
30 x 3	115P10	BS2-4-303	HCPK4	BS2-3-303	HCPK3
30 x 4	150P10	BS2-4-304	HCPK4	–	–
30 x 5	200P10	BS2-4-305	HCPK4	–	–
31 x 3	115P10	BS2-4-313	HCPK4	BS2-3-313	HCPK3
31 x 6	200P10	BS2-4-316	HCPK4	–	–
38 x 3	150P10	BS2-4-383	HCPK4	–	–
38 x 5	200P10	BS2-4-385	HCPK4	–	–
38 x 6	200P10	BS2-4-386	HCPK4	–	–
40 x 3	115P10	BS2-4-403	HCPK4	–	–
40 x 4	200P10	BS2-4-404	HCPK4	–	–
40 x 5	200P10	BS2-4-405	HCPK4	–	–
40 x 6	250P10	BS2-4-406	HCPK4	–	–
50 x 3	200P10	BS2-4-503	HCPK4	–	–
50 x 4	2 x 150P10	BS2-5-504	HCPK5	–	–
50 x 5	2 x 150P10	BS2-5-505	HCPK5	–	–
50 x 6	2 x 150P10	BS2-5-506	HCPK5	–	–

Special moulds for all FurseWELD products can be manufactured to meet specific customer applications on request

FurseWELD

Bar to steel surface BS3



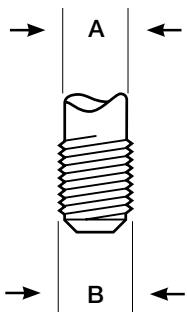
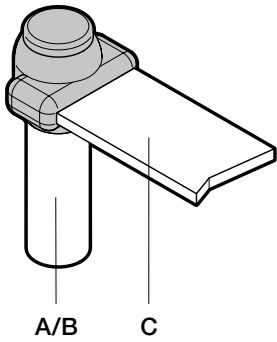
Bar to steel surface BS3 - FurseWELD

Flat tape conductor size A (mm)	Part no.				
	Powder cartridge	Standard mould	Handle clamp	Mini mould	Mini handle clamp
20 x 3	90P10	BS3-4-203	HCPK4	BS3-3-203	HCPK3
25 x 3	115P10	BS3-4-253	HCPK4	BS3-3-253	HCPK3
25 x 4	115P10	BS3-4-254	HCPK4	BS3-3-254	HCPK3
25 x 6	150P10	BS3-4-256	HCPK4	-	-
30 x 2	115P10	BS3-4-302	HCPK4	BS3-3-302	HCPK3
30 x 3	115P10	BS3-4-303	HCPK4	BS3-3-303	HCPK3
30 x 4	150P10	BS3-4-304	HCPK4	-	-
30 x 5	200P10	BS3-4-305	HCPK4	-	-
31 x 3	115P10	BS3-4-313	HCPK4	BS3-3-313	HCPK3
31 x 6	200P10	BS3-4-316	HCPK4	-	-
38 x 3	150P10	BS3-4-383	HCPK4	-	-
38 x 5	200P10	BS3-4-385	HCPK4	-	-
38 x 6	250P10	BS3-4-386	HCPK4	-	-
40 x 3	150P10	BS3-4-403	HCPK4	-	-
40 x 4	200P10	BS3-4-404	HCPK4	-	-
40 x 5	250P10	BS3-4-405	HCPK4	-	-
40 x 6	250P10	BS3-4-406	HCPK4	-	-
50 x 3	250P10	BS3-4-503	HCPK4	-	-
50 x 4	250P10	BS3-4-504	HCPK4	-	-
50 x 5	250P10	BS3-4-505	HCPK4	-	-
50 x 6	250P10	BS3-4-506	HCPK4	-	-

Special moulds for all FurseWELD products can be manufactured to meet specific customer applications on request

FurseWELD

Bar to earth rod BR1



Bar to earth rod BR1 - FurseWELD

Earth rod A ø (mm)	Earth rod B ø (")	Flat tape conductor size C (mm)	Part no.				
			Powder cartridge	Standard mould	Handle clamp	Mini mould	Mini handle clamp
12.7	½	20 x 3	90P10	BR1-4-127203	HCPK4	BR1-3-128203	HCPK3
12.7	½	25 x 3	90P10	BR1-4-127253	HCPK4	BR1-3-128253	HCPK3
12.7	½	25 x 4	90P10	BR1-4-127254	HCPK4	BR1-3-128254	HCPK3
12.7	½	30 x 2	90P10	BR1-4-127302	HCPK4	BR1-3-128302	HCPK3
12.7	½	30 x 3	90P10	BR1-4-127303	HCPK4	BR1-3-128303	HCPK3
12.7	½	31 x 3	90P10	BR1-4-127313	HCPK4	BR1-3-128313	HCPK3
12.7	½	38 x 3	90P10	BR1-4-127383	HCPK4	-	-
12.7	½	40 x 3	90P10	BR1-4-127403	HCPK4	-	-
12.7	½	50 x 3	115P10	BR1-4-127503	HCPK4	-	-
12.7	½	50 x 6	115P10	BR1-4-127506	HCPK4	-	-
14.2	¾	20 x 3	90P10	BR1-4-142203	HCPK4	BR1-3-142203	HCPK3
14.2	¾	25 x 3	90P10	BR1-4-142253	HCPK4	BR1-3-142253	HCPK3
14.2	¾	25 x 4	115P10	BR1-4-142254	HCPK4	BR1-3-142254	HCPK3
14.2	¾	25 x 6	115P10	BR1-4-142256	HCPK4	BR1-3-142256	HCPK3
14.2	¾	30 x 2	115P10	BR1-4-142302	HCPK4	BR1-3-142302	HCPK3
14.2	¾	30 x 3	115P10	BR1-4-142303	HCPK4	BR1-3-142303	HCPK3
14.2	¾	30 x 4	150P10	BR1-4-142304	HCPK4	-	-
14.2	¾	30 x 5	150P10	BR1-4-142305	HCPK4	-	-
14.2	¾	31 x 3	115P10	BR1-4-142313	HCPK4	BR1-3-142313	HCPK3
14.2	¾	31 x 6	150P10	BR1-4-142316	HCPK4	-	-
14.2	¾	38 x 3	115P10	BR1-4-142383	HCPK4	-	-
14.2	¾	38 x 5	150P10	BR1-4-142385	HCPK4	-	-
14.2	¾	38 x 6	200P10	BR1-4-142386	HCPK4	-	-
14.2	¾	40 x 3	115P10	BR1-4-142403	HCPK4	-	-
14.2	¾	40 x 4	150P10	BR1-4-142404	HCPK4	-	-
14.2	¾	40 x 5	150P10	BR1-4-142405	HCPK4	-	-
14.2	¾	40 x 6	200P10	BR1-4-142406	HCPK4	-	-
14.2	¾	50 x 3	150P10	BR1-4-142503	HCPK4	-	-
14.2	¾	50 x 4	200P10	BR1-4-142504	HCPK4	-	-
14.2	¾	50 x 5	200P10	BR1-4-142505	HCPK4	-	-
14.2	¾	50 x 6	200P10	BR1-4-142506	HCPK4	-	-

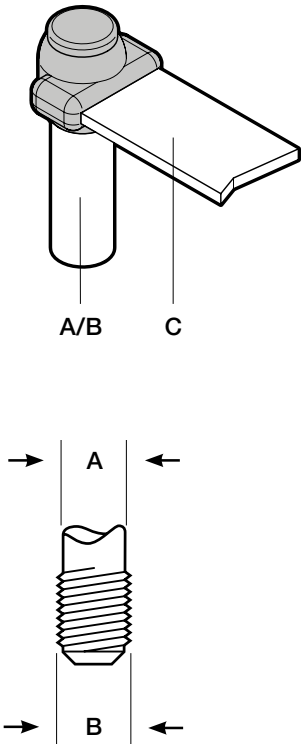
Suitable for connections to copperbond rods - for connections to solid copper and stainless steel rods please contact our sales office

Threaded portion of copperbond rods must be removed prior to welding

Special moulds for all FurseWELD products can be manufactured to meet specific customer applications on request

FurseWELD

Bar to earth rod BR1



Bar to earth rod BR1 (continued) - FurseWELD

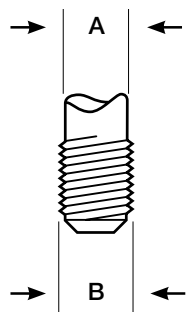
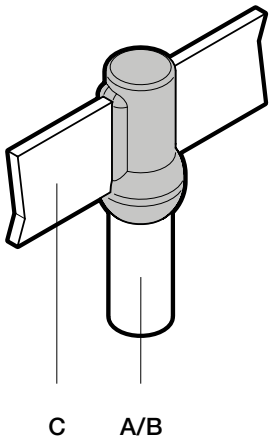
Earth rod A ø (mm)	Earth rod B ø (")	Flat tape conductor size C (mm)	Part no.				
			Powder cartridge	Standard mould	Handle clamp	Mini mould	Mini handle clamp
17.2	¾	20 x 3	115P10	BR1-4-172203	HCPK4	BR1-3-172203	HCPK3
17.2	¾	25 x 3	150P10	BR1-4-172253	HCPK4	-	-
17.2	¾	25 x 4	150P10	BR1-4-172254	HCPK4	-	-
17.2	¾	25 x 6	200P10	BR1-4-172256	HCPK4	-	-
17.2	¾	30 x 2	150P10	BR1-4-172302	HCPK4	-	-
17.2	¾	30 x 3	150P10	BR1-4-172303	HCPK4	-	-
17.2	¾	30 x 4	250P10	BR1-4-172304	HCPK4	-	-
17.2	¾	30 x 5	200P10	BR1-4-172305	HCPK4	-	-
17.2	¾	31 x 3	150P10	BR1-4-172313	HCPK4	-	-
17.2	¾	31 x 6	250P10	BR1-4-172316	HCPK4	-	-
17.2	¾	38 x 3	200P10	BR1-4-172383	HCPK4	-	-
17.2	¾	38 x 5	200P10	BR1-4-172385	HCPK4	-	-
17.2	¾	38 x 6	2 x 150P10	BR1-5-172386	HCPK5	-	-
17.2	¾	40 x 3	200P10	BR1-4-172403	HCPK4	-	-
17.2	¾	40 x 4	200P10	BR1-4-172404	HCPK4	-	-
17.2	¾	40 x 5	200P10	BR1-4-172405	HCPK4	-	-
17.2	¾	40 x 6	2 x 150P10	BR1-5-172406	HCPK5	-	-
17.2	¾	50 x 3	2 x 150P10	BR1-5-172503	HCPK5	-	-
17.2	¾	50 x 4	2 x 150P10	BR1-5-172504	HCPK5	-	-
17.2	¾	50 x 5	2 x 150P10	BR1-5-172505	HCPK5	-	-
17.2	¾	50 x 6	2 x 200P10	BR1-5-172506	HCPK5	-	-

Suitable for connections to copperbond rods - for connections to solid copper and stainless steel rods please contact our sales office
Threaded portion of copperbond rods must be removed prior to welding

Special moulds for all FurseWELD products can be manufactured to meet specific customer applications on request

FurseWELD

Bar to earth rod BR2



Bar to earth rod BR2 - FurseWELD

Earth rod A ø (mm)	Earth rod B ø (")	Flat tape conductor size C (mm)	Part no.				
			Powder cartridge	Standard mould	Handle clamp	Mini mould	Mini handle clamp
12.7	½	20 x 3	90P10	BR2-4-127203	HCPK4	BR2-3-128203	HCPK3
12.7	½	25 x 3	90P10	BR2-4-127253	HCPK4	BR2-3-128253	HCPK3
12.7	½	25 x 4	90P10	BR2-4-127254	HCPK4	BR2-3-128254	HCPK3
12.7	½	30 x 2	90P10	BR2-4-127302	HCPK4	BR2-3-128302	HCPK3
12.7	½	30 x 3	90P10	BR2-4-127303	HCPK4	BR2-3-128303	HCPK3
12.7	½	31 x 3	90P10	BR2-4-127313	HCPK4	BR2-3-128313	HCPK3
12.7	½	38 x 3	90P10	BR2-4-127383	HCPK4	BR2-3-128383	HCPK3
12.7	½	40 x 3	90P10	BR2-4-127403	HCPK4	BR2-3-128403	HCPK3
12.7	½	50 x 3	115P10	BR2-4-127503	HCPK4	-	-
14.2	⅝	20 x 3	90P10	BR2-4-142203	HCPK4	BR2-3-142203	HCPK3
14.2	⅝	25 x 3	90P10	BR2-4-142253	HCPK4	BR2-3-142253	HCPK3
14.2	⅝	25 x 4	115P10	BR2-4-142254	HCPK4	BR2-3-142254	HCPK3
14.2	⅝	25 x 6	150P10	BR2-4-142256	HCPK4	-	-
14.2	⅝	30 x 2	90P10	BR2-4-142302	HCPK4	BR2-3-142302	HCPK3
14.2	⅝	30 x 3	115P10	BR2-4-142303	HCPK4	BR2-3-142303	HCPK3
14.2	⅝	30 x 4	150P10	BR2-4-142304	HCPK4	-	-
14.2	⅝	30 x 5	150P10	BR2-4-142305	HCPK4	-	-
14.2	⅝	31 x 3	115P10	BR2-4-142313	HCPK4	BR2-3-142313	HCPK3
14.2	⅝	31 x 6	150P10	BR2-4-142316	HCPK4	-	-
14.2	⅝	38 x 3	150P10	BR2-4-142383	HCPK4	-	-
14.2	⅝	38 x 5	150P10	BR2-4-142385	HCPK4	-	-
14.2	⅝	38 x 6	200P10	BR2-4-142386	HCPK4	-	-
14.2	⅝	40 x 3	150P10	BR2-4-142403	HCPK4	-	-
14.2	⅝	40 x 4	150P10	BR2-4-142404	HCPK4	-	-
14.2	⅝	40 x 5	150P10	BR2-4-142405	HCPK4	-	-
14.2	⅝	40 x 6	200P10	BR2-4-142406	HCPK4	-	-
14.2	⅝	50 x 3	200P10	BR2-4-142503	HCPK4	-	-
14.2	⅝	50 x 4	200P10	BR2-4-142504	HCPK4	-	-
14.2	⅝	50 x 5	200P10	BR2-4-142505	HCPK4	-	-
14.2	⅝	50 x 6	250P10	BR2-4-142506	HCPK4	-	-

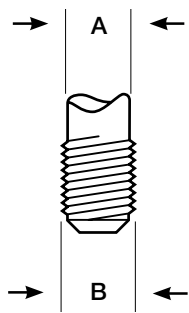
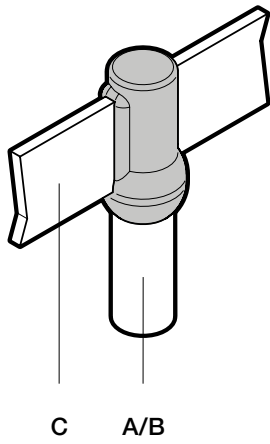
Suitable for connections to copperbond rods - for connections to solid copper and stainless steel rods please contact our sales office

Threaded portion of copperbond rods must be removed prior to welding

Special moulds for all FurseWELD products can be manufactured to meet specific customer applications on request

FurseWELD

Bar to earth rod BR2



Bar to earth rod BR2 (continued) - FurseWELD

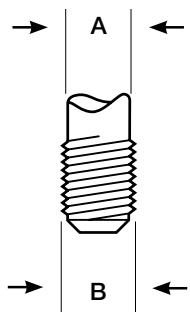
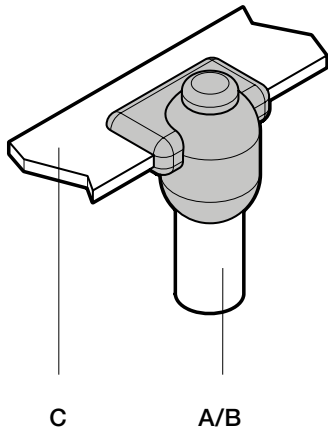
Earth rod A ø (mm)	Earth rod B ø (")	Flat tape conductor size C (mm)	Part no.				
			Powder cartridge	Standard mould	Handle clamp	Mini mould	Mini handle clamp
17.2	¾	20 x 3	150P10	BR2-4-172203	HCPK4	-	-
17.2	¾	25 x 3	150P10	BR2-4-172253	HCPK4	-	-
17.2	¾	25 x 4	200P10	BR2-4-172254	HCPK4	-	-
17.2	¾	25 x 6	200P10	BR2-4-172256	HCPK4	-	-
17.2	¾	30 x 2	150P10	BR2-4-172302	HCPK4	-	-
17.2	¾	30 x 3	150P10	BR2-4-172303	HCPK4	-	-
17.2	¾	30 x 4	250P10	BR2-4-172304	HCPK4	-	-
17.2	¾	30 x 5	200P10	BR2-4-172305	HCPK4	-	-
17.2	¾	31 x 3	200P10	BR2-4-172313	HCPK4	-	-
17.2	¾	31 x 6	250P10	BR2-4-172316	HCPK4	-	-
17.2	¾	38 x 3	200P10	BR2-4-172383	HCPK4	-	-
17.2	¾	38 x 5	200P10	BR2-4-172385	HCPK4	-	-
17.2	¾	38 x 6	250P10	BR2-4-172386	HCPK4	-	-
17.2	¾	40 x 3	200P10	BR2-4-172403	HCPK4	-	-
17.2	¾	40 x 4	200P10	BR2-4-172404	HCPK4	-	-
17.2	¾	40 x 5	200P10	BR2-4-172405	HCPK4	-	-
17.2	¾	40 x 6	250P10	BR2-4-172406	HCPK4	-	-
17.2	¾	50 x 3	2 x 150P10	BR2-5-172503	HCPK5	-	-
17.2	¾	50 x 4	2 x 150P10	BR2-5-172504	HCPK5	-	-
17.2	¾	50 x 5	2 x 150P10	BR2-5-172505	HCPK5	-	-
17.2	¾	50 x 6	2 x 150P10	BR2-5-172506	HCPK5	-	-

Suitable for connections to copperbond rods - for connections to solid copper and stainless steel rods please contact our sales office
Threaded portion of copperbond rods must be removed prior to welding

Special moulds for all FurseWELD products can be manufactured to meet specific customer applications on request

FurseWELD

Bar to earth rod BR7



Bar to earth rod BR7 - FurseWELD

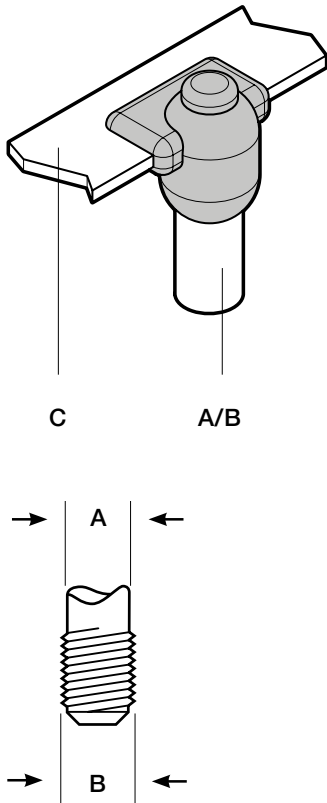
Earth rod A ø (mm)	Earth rod B ø (")	Flat tape conductor size C (mm)	Part no.				
			Powder cartridge	Standard mould	Handle clamp	Mini mould	Mini handle clamp
12.7	½	20 x 3	90P10	BR7-4-127203	HCPK4	BR7-3-127203	HCPK3
12.7	½	25 x 3	90P10	BR7-4-127253	HCPK4	BR7-3-127253	HCPK3
12.7	½	25 x 4	90P10	BR7-4-127254	HCPK4	BR7-3-127254	HCPK3
12.7	½	30 x 2	90P10	BR7-4-127302	HCPK4	BR7-3-127302	HCPK3
12.7	½	30 x 3	90P10	BR7-4-127303	HCPK4	BR7-3-127303	HCPK3
12.7	½	31 x 3	90P10	BR7-4-127313	HCPK4	BR7-3-127313	HCPK3
12.7	½	38 x 3	90P10	BR7-4-127383	HCPK4	-	-
12.7	½	40 x 3	90P10	BR7-4-127403	HCPK4	-	-
12.7	½	50 x 3	115P10	BR7-4-127503	HCPK4	-	-
12.7	½	50 x 6	115P10	BR7-4-127506	HCPK4	-	-
14.2	¾	20 x 3	90P10	BR7-4-142203	HCPK4	BR7-3-142203	HCPK3
14.2	¾	25 x 3	90P10	BR7-4-142253	HCPK4	BR7-3-142253	HCPK3
14.2	¾	25 x 4	115P10	BR7-4-142254	HCPK4	BR7-3-142254	HCPK3
14.2	¾	25 x 6	115P10	BR7-4-142256	HCPK4	BR7-3-142256	HCPK3
14.2	¾	30 x 2	115P10	BR7-4-142302	HCPK4	BR7-3-142302	HCPK3
14.2	¾	30 x 3	115P10	BR7-4-142303	HCPK4	BR7-3-142303	HCPK3
14.2	¾	30 x 4	150P10	BR7-4-142304	HCPK4	-	-
14.2	¾	30 x 5	150P10	BR7-4-142305	HCPK4	-	-
14.2	¾	31 x 3	115P10	BR7-4-142313	HCPK4	BR7-3-142313	HCPK3
14.2	¾	31 x 6	150P10	BR7-4-142316	HCPK4	-	-
14.2	¾	38 x 3	115P10	BR7-4-142383	HCPK4	-	-
14.2	¾	38 x 5	150P10	BR7-4-142385	HCPK4	-	-
14.2	¾	38 x 6	200P10	BR7-4-142386	HCPK4	-	-
14.2	¾	40 x 3	115P10	BR7-4-142403	HCPK4	-	-
14.2	¾	40 x 4	150P10	BR7-4-142404	HCPK4	-	-
14.2	¾	40 x 5	150P10	BR7-4-142405	HCPK4	-	-
14.2	¾	40 x 6	200P10	BR7-4-142406	HCPK4	-	-
14.2	¾	50 x 3	150P10	BR7-4-142503	HCPK4	-	-
14.2	¾	50 x 4	200P10	BR7-4-142504	HCPK4	-	-
14.2	¾	50 x 5	200P10	BR7-4-142505	HCPK4	-	-
14.2	¾	50 x 6	200P10	BR7-4-142506	HCPK4	-	-

Suitable for connections to copperbond rods - for connections to solid copper and stainless steel rods please contact our sales office
Threaded portion of copperbond rods must be removed prior to welding

Special moulds for all FurseWELD products can be manufactured to meet specific customer applications on request

FurseWELD

Bar to earth rod BR7



Bar to earth rod BR7 (continued) - FurseWELD

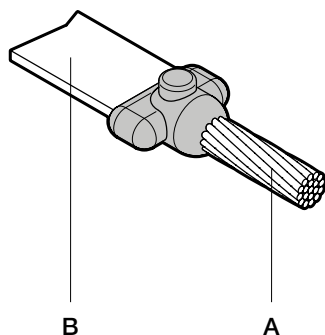
Earth rod A ø (mm)	Earth rod B ø (")	Flat tape conductor size C (mm)	Part no.				
			Powder cartridge	Standard mould	Handle clamp	Mini mould	Mini handle clamp
17.2	¾	20 x 3	115P10	BR7-4-172203	HCPK4	BR7-3-172203	HCPK3
17.2	¾	25 x 3	150P10	BR7-4-172253	HCPK4	-	-
17.2	¾	25 x 4	150P10	BR7-4-172254	HCPK4	-	-
17.2	¾	25 x 6	200P10	BR7-4-172256	HCPK4	-	-
17.2	¾	30 x 2	150P10	BR7-4-172302	HCPK4	-	-
17.2	¾	30 x 3	150P10	BR7-4-172303	HCPK4	-	-
17.2	¾	30 x 4	250P10	BR7-4-172304	HCPK4	-	-
17.2	¾	30 x 5	200P10	BR7-4-172305	HCPK4	-	-
17.2	¾	31 x 3	200P10	BR7-4-172313	HCPK4	-	-
17.2	¾	31 x 6	200P10	BR7-4-172316	HCPK4	-	-
17.2	¾	38 x 3	200P10	BR7-4-172383	HCPK4	-	-
17.2	¾	38 x 5	200P10	BR7-4-172385	HCPK4	-	-
17.2	¾	38 x 6	250P10	BR7-5-172386	HCPK5	-	-
17.2	¾	40 x 3	200P10	BR7-4-172403	HCPK4	-	-
17.2	¾	40 x 4	200P10	BR7-4-172404	HCPK4	-	-
17.2	¾	40 x 5	200P10	BR7-4-172405	HCPK4	-	-
17.2	¾	40 x 6	250P10	BR7-5-172406	HCPK5	-	-
17.2	¾	50 x 3	250P10	BR7-5-172503	HCPK5	-	-
17.2	¾	50 x 4	250P10	BR7-5-172504	HCPK5	-	-
17.2	¾	50 x 5	2 x 150P10	BR7-5-172505	HCPK5	-	-
17.2	¾	50 x 6	2 x 200P10	BR7-5-172506	HCPK5	-	-

Suitable for connections to copperbond rods - for connections to solid copper and stainless steel rods please contact our sales office
Threaded portion of copperbond rods must be removed prior to welding

Special moulds for all FurseWELD products can be manufactured to meet specific customer applications on request

FurseWELD

Cable to bar CB1



Cable to bar CB1 - FurseWELD

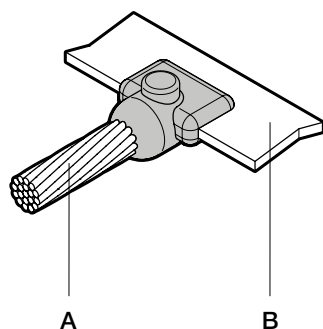
Stranded / solid circular conductor size A (mm ²)	Flat tape conductor size B (mm)	Part no.				
		Powder cartridge	Standard mould	Handle clamp	Mini mould	Mini handle clamp
16 *	20 x 3	45P10	CB1-4-16203	HCPK4	CB1-3-16203	HCPK3
16 *	25 x 3	45P10	CB1-4-16253	HCPK4	CB1-3-16253	HCPK3
25	20 x 3	32P10	CB1-4-25203	HCPK4	CB1-3-25203	HCPK3
25	25 x 3	45P10	CB1-4-25253	HCPK4	CB1-3-25253	HCPK3
35	20 x 3	45P10	CB1-4-35203	HCPK4	CB1-3-35203	HCPK3
35	25 x 3	45P10	CB1-4-35253	HCPK4	CB1-3-35253	HCPK3
50	20 x 3	45P10	CB1-4-50203	HCPK4	CB1-3-50203	HCPK3
50	25 x 3	65P10	CB1-4-50253	HCPK4	CB1-3-50253	HCPK3
Ø 8	20 x 3	45P10	CB1-4-8SC203	HCPK4	CB1-3-8SC203	HCPK3
Ø 8	25 x 3	65P10	CB1-4-8SC253	HCPK4	CB1-3-8SC253	HCPK3
70	25 x 3	65P10	CB1-4-70253	HCPK4	CB1-3-70253	HCPK3
70	25 x 4	65P10	CB1-4-70254	HCPK4	CB1-3-70254	HCPK3
70	25 x 6	65P10	CB1-4-70256	HCPK4	CB1-3-70256	HCPK3
Ø 10	25 x 3	65P10	CB1-4-10SC253	HCPK4	CB1-3-10SC253	HCPK3
Ø 10	25 x 4	65P10	CB1-4-10SC254	HCPK4	CB1-3-10SC254	HCPK3
Ø 10	25 x 6	65P10	CB1-4-10SC256	HCPK4	CB1-3-10SC256	HCPK3
95	25 x 4	90P10	CB1-4-95254	HCPK4	CB1-3-95254	HCPK3
95	25 x 6	90P10	CB1-4-95256	HCPK4	CB1-3-95256	HCPK3
120	25 x 6	90P10	CB1-4-120256	HCPK4	CB1-3-120256	HCPK3
120	30 x 5	115P10	CB1-4-120305	HCPK4	CB1-3-120305	HCPK3
150	25 x 6	115P10	CB1-4-150256	HCPK4	CB1-3-150256	HCPK3
150	30 x 5	115P10	CB1-4-150305	HCPK4	CB1-3-150305	HCPK3
150	40 x 5	150P10	CB1-4-150405	HCPK4	—	—
185	31 x 6	150P10	CB1-4-185316	HCPK4	—	—
185	40 x 5	150P10	CB1-4-185405	HCPK4	—	—
185	50 x 5	200P10	CB1-5-185505	HCPK5	—	—
240	50 x 5	200P10	CB1-5-240505	HCPK5	—	—
240	50 x 6	2 x 150P10	CB1-5-240506	HCPK5	—	—
300	50 x 6	2 x 150P10	CB1-5-300506	HCPK5	—	—

Special moulds for all FurseWELD products can be manufactured to meet specific customer applications on request

*1 x S103 Sleeve required when joining conductors 16 mm² or smaller

FurseWELD

Cable to bar CB4



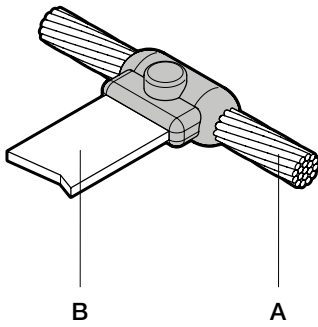
Cable to bar CB4 - FurseWELD

Stranded / solid circular conductor size A (mm ²)	Flat tape conductor size B (mm)	Part no.				
		Powder cartridge	Standard mould	Handle clamp	Mini mould	Mini handle clamp
16 *	20 x 3	45P10	CB4-4-16203	HCPK4	CB4-3-16203	HCPK3
16 *	25 x 3	45P10	CB4-4-16253	HCPK4	CB4-3-16253	HCPK3
25	20 x 3	45P10	CB4-4-25203	HCPK4	CB4-3-25203	HCPK3
25	25 x 3	45P10	CB4-4-25253	HCPK4	CB4-3-25253	HCPK3
35	20 x 3	45P10	CB4-4-35203	HCPK4	CB4-3-35203	HCPK3
35	25 x 3	45P10	CB4-4-35253	HCPK4	CB4-3-35253	HCPK3
50	20 x 3	45P10	CB4-4-50203	HCPK4	CB4-3-50203	HCPK3
50	25 x 3	45P10	CB4-4-50253	HCPK4	CB4-3-50253	HCPK3
Ø 8	20 x 3	45P10	CB4-4-8SC203	HCPK4	CB4-3-8SC203	HCPK3
Ø 8	25 x 3	45P10	CB4-4-8SC253	HCPK4	CB4-3-8SC253	HCPK3
70	25 x 3	65P10	CB4-4-70253	HCPK4	CB4-3-70253	HCPK3
70	25 x 4	65P10	CB4-4-70254	HCPK4	CB4-3-70254	HCPK3
70	25 x 6	90P10	CB4-4-70256	HCPK4	CB4-3-70256	HCPK3
Ø 10	25 x 3	65P10	CB4-4-10SC253	HCPK4	CB4-3-10SC253	HCPK3
Ø 10	25 x 4	65P10	CB4-4-10SC254	HCPK4	CB4-3-10SC254	HCPK3
Ø 10	25 x 6	90P10	CB4-4-10SC256	HCPK4	CB4-3-10SC256	HCPK3
95	25 x 4	90P10	CB4-4-95254	HCPK4	CB4-3-95254	HCPK3
95	25 x 6	115P10	CB4-4-95256	HCPK4	CB4-3-95256	HCPK3
120	25 x 6	115P10	CB4-4-120256	HCPK4	CB4-3-120256	HCPK3
120	30 x 5	115P10	CB4-4-120305	HCPK4	CB4-3-120305	HCPK3
150	25 x 6	115P10	CB4-4-150256	HCPK4	CB4-3-150256	HCPK3
150	30 x 5	115P10	CB4-4-150305	HCPK4	CB4-3-150305	HCPK3
150	40 x 5	115P10	CB4-4-150405	HCPK4	—	—
185	31 x 6	150P10	CB4-4-185316	HCPK4	—	—
185	40 x 5	150P10	CB4-4-185405	HCPK4	—	—
185	50 x 5	150P10	CB4-4-185505	HCPK4	—	—
240	50 x 5	200P10	CB4-4-240505	HCPK4	—	—
240	50 x 6	250P10	CB4-4-240506	HCPK4	—	—
300	50 x 6	2 x 150P10	CB4-5-300506	HCPK5	—	—

Special moulds for all FurseWELD products can be manufactured to meet specific customer applications on request
 *1 x S103 Sleeve required when joining conductors 16 mm² or smaller

FurseWELD

Cable to bar CB5



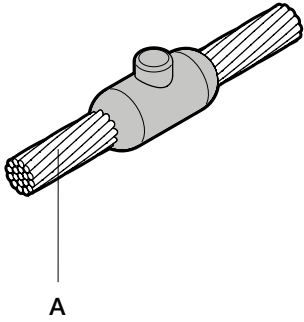
Cable to bar CB5 - FurseWELD

Stranded / solid circular conductor size A (mm ²)	Flat tape conductor size B (mm)	Part no.				
		Powder cartridge	Standard mould	Handle clamp	Mini mould	Mini handle clamp
16 *	20 x 3	45P10	CB5-4-16203	HCPK4	CB5-3-16303	HCPK3
16 *	25 x 3	65P10	CB5-4-16253	HCPK4	CB5-3-16253	HCPK3
25	20 x 3	45P10	CB5-4-25203	HCPK4	CB5-3-25203	HCPK3
25	25 x 3	65P10	CB5-4-25253	HCPK4	CB5-3-25253	HCPK3
35	20 x 3	45P10	CB5-4-35203	HCPK4	CB5-3-35203	HCPK3
35	25 x 3	65P10	CB5-4-35253	HCPK4	CB5-3-35253	HCPK3
50	20 x 3	65P10	CB5-4-50203	HCPK4	CB5-3-50203	HCPK3
50	25 x 3	65P10	CB5-4-50253	HCPK4	CB5-3-50253	HCPK3
Ø 8	20 x 3	65P10	CB5-4-8SC203	HCPK4	CB5-3-8SC203	HCPK3
Ø 8	25 x 3	65P10	CB5-4-8SC253	HCPK4	CB5-3-8SC253	HCPK3
70	25 x 3	90P10	CB5-4-70253	HCPK4	CB5-3-70253	HCPK3
70	25 x 4	115P10	CB5-4-70254	HCPK4	CB5-3-70254	HCPK3
70	25 x 6	115P10	CB5-4-70256	HCPK4	CB5-3-70256	HCPK3
Ø 10	25 x 3	115P10	CB5-4-10SC253	HCPK4	CB5-3-10SC253	HCPK3
Ø 10	25 x 4	150P10	CB5-4-10SC254	HCPK4	-	-
Ø 10	25 x 6	150P10	CB5-4-10SC256	HCPK4	-	-
95	25 x 4	150P10	CB5-4-95254	HCPK4	-	-
95	25 x 6	150P10	CB5-4-95256	HCPK4	-	-
120	25 x 6	150P10	CB5-4-120256	HCPK4	-	-
120	30 x 5	200P10	CB5-4-120305	HCPK4	-	-
150	25 x 6	200P10	CB5-4-150256	HCPK4	-	-
150	30 x 5	200P10	CB5-4-150305	HCPK4	-	-
150	40 x 5	250P10	CB5-4-150405	HCPK4	-	-
185	31 x 6	250P10	CB5-4-185316	HCPK4	-	-
185	40 x 5	250P10	CB5-4-185405	HCPK4	-	-
185	50 x 5	2 x 150P10	CB5-5-185505	HCPK5	-	-
240	50 x 5	2 x 150P10	CB5-5-240505	HCPK5	-	-
240	50 x 6	2 x 200P10	CB5-5-240506	HCPK5	-	-
300	50 x 6	2 x 250P10	CB5-5-300506	HCPK5	-	-

Special moulds for all FurseWELD products can be manufactured to meet specific customer applications on request
 *2 x S103 Sleeve required when joining conductors 16 mm² or smaller

FurseWELD

Cable to cable CC1



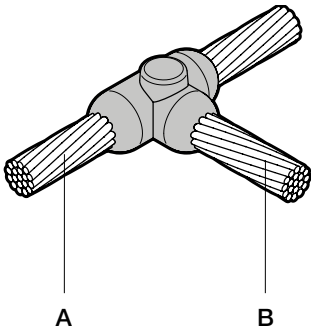
Cable to cable CC1 - FurseWELD

Stranded / solid circular conductor size A (mm ²)	Part no.				
	Powder cartridge	Standard mould	Handle clamp	Mini mould	Mini handle clamp
16*	32P10	CC1-4-16	HCPK4	CC1-3-16	HCPK3
25	32P10	CC1-4-25	HCPK4	CC1-3-25	HCPK3
35	32P10	CC1-4-35	HCPK4	CC1-3-35	HCPK3
50	45P10	CC1-4-50	HCPK4	CC1-3-50	HCPK3
Ø 8	45P10	CC1-4-8SC	HCPK4	CC1-3-8SC	HCPK3
70	65P10	CC1-4-70	HCPK4	CC1-3-70	HCPK3
Ø 10	65P10	CC1-4-10SC	HCPK4	CC1-3-10SC	HCPK3
95	90P10	CC1-4-95	HCPK4	CC1-3-95	HCPK3
120	115P10	CC1-4-120	HCPK4	CC1-3-120	HCPK3
150	115P10	CC1-4-150	HCPK4	CC1-3-150	HCPK3
185	150P10	CC1-4-185	HCPK4	—	—
240	200P10	CC1-4-240	HCPK4	—	—
300	250P10	CC1-4-300	HCPK4	—	—
400	2 x 150P10	CC1-5-400	HCPK5	—	—

Special moulds for all FurseWELD products can be manufactured to meet specific customer applications on request
 *2 x S103 Sleeve required when joining conductors 16 mm² or smaller

FurseWELD

Cable to cable CC2



Cable to cable CC2 - FurseWELD

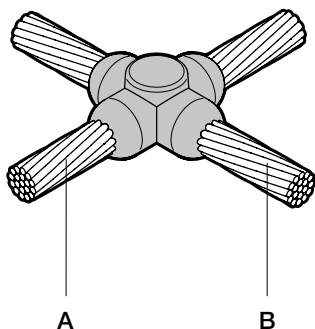
Stranded / solid circular conductor size A (mm ²)	Stranded / solid circular conductor size B (mm ²)	Part no.				
		Powder cartridge	Standard mould	Handle clamp	Mini mould	Mini handle clamp
16*	16*	45P10	CC2-4-1616	HCPK4	CC2-3-1616	HCPK3
25	25	45P10	CC2-4-2525	HCPK4	CC2-3-2525	HCPK3
35	35	45P10	CC2-4-3535	HCPK4	CC2-3-3535	HCPK3
35	25	45P10	CC2-4-3525	HCPK4	CC2-3-3525	HCPK3
Ø 8	Ø 8	65P10	CC2-4-88SC	HCPK4	CC2-3-88SC	HCPK3
50	50	90P10	CC2-4-5050	HCPK4	CC2-3-5050	HCPK3
50	35	65P10	CC2-4-5035	HCPK4	CC2-3-5035	HCPK3
50	25	65P10	CC2-4-5025	HCPK4	CC2-3-5025	HCPK3
Ø 10	Ø 10	90P10	CC2-4-1010SC	HCPK4	CC2-3-1010SC	HCPK3
70	70	90P10	CC2-4-7070	HCPK4	CC2-3-7070	HCPK3
70	50	90P10	CC2-4-7050	HCPK4	CC2-3-7050	HCPK3
70	3	65P10	CC2-4-7035	HCPK4	CC2-3-7035	HCPK3
70	25	65P10	CC2-4-7025	HCPK4	CC2-3-7025	HCPK3
95	95	115P10	CC2-4-9595	HCPK4	CC2-3-9595	HCPK3
95	70	90P10	CC2-4-9570	HCPK4	CC2-3-9570	HCPK3
95	50	90P10	CC2-4-9550	HCPK4	CC2-3-9550	HCPK3
95	35	90P10	CC2-4-9535	HCPK4	CC2-3-9535	HCPK3
120	120	150P10	CC2-4-120120	HCPK4	-	-
120	95	150P10	CC2-4-12095	HCPK4	-	-
120	70	90P10	CC2-4-12070	HCPK4	CC2-3-12070	HCPK3
120	50	90P10	CC2-4-12050	HCPK4	CC2-3-12050	HCPK3
150	150	200P10	CC2-4-150150	HCPK4	-	-
150	120	150P10	CC2-4-150120	HCPK4	-	-
150	95	150P10	CC2-4-15095	HCPK4	-	-
150	70	90P10	CC2-4-15070	HCPK4	CC2-3-15070	HCPK3
185	185	200P10	CC2-4-185185	HCPK4	-	-
185	150	200P10	CC2-4-185150	HCPK4	-	-
185	120	200P10	CC2-4-185120	HCPK4	-	-
185	95	150P10	CC2-4-18595	HCPK4	-	-
240	240	2 x 150P10	CC2-4-240240	HCPK4	-	-
240	185	200P10	CC2-4-240185	HCPK4	-	-
240	150	200P10	CC2-4-240150	HCPK4	-	-
240	120	200P10	CC2-4-240120	HCPK4	-	-
300	300	2 x 200P10	CC2-5-300300	HCPK5	-	-
300	240	2 x 200P10	CC2-5-300240	HCPK5	-	-
300	185	250P10	CC2-4-300185	HCPK4	-	-

Special moulds for all FurseWELD products can be manufactured to meet specific customer applications on request

*3 x S103 Sleeve required when joining conductors 16 mm² or smaller

FurseWELD

Cable to cable CC4



Cable to cable CC4 - FurseWELD

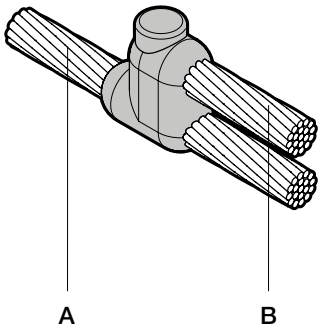
Stranded / solid circular conductor size A (mm ²)	Stranded solid circular conductor size B (mm ²)	Part no.				
		Powder cartridge	Standard mould	Handle clamp	Mini mould	Mini handle clamp
16 *	16 *	65P10	CC4-4-1616	HCPK4	CC4-3-1616	HCPK3
25	25	45P10	CC4-4-2525	HCPK4	CC4-3-2525	HCPK3
35	35	65P10	CC4-4-3535	HCPK4	CC4-3-3535	HCPK3
35	25	65P10	CC4-4-3525	HCPK4	CC4-3-3525	HCPK3
Ø 8	Ø 8	90P10	CC4-4-88SC	HCPK4	CC4-3-88SC	HCPK3
50	50	90P10	CC4-4-5050	HCPK4	CC4-3-5050	HCPK3
50	35	90P10	CC4-4-5035	HCPK4	CC4-3-5035	HCPK3
50	25	90P10	CC4-4-5025	HCPK4	CC4-3-5025	HCPK3
Ø 10	Ø 10	115P10	CC4-4-1010SC	HCPK4	CC4-3-1010SC	HCPK3
70	70	115P10	CC4-4-7070	HCPK4	CC4-3-7070	HCPK3
70	50	115P10	CC4-4-7050	HCPK4	CC4-3-7050	HCPK3
70	35	115P10	CC4-4-7035	HCPK4	CC4-3-7035	HCPK3
70	25	115P10	CC4-4-7025	HCPK4	CC4-3-7025	HCPK3
95	95	150P10	CC4-4-9595	HCPK4	—	—
95	70	150P10	CC4-4-9570	HCPK4	—	—
95	50	115P10	CC4-4-9550	HCPK4	—	—
95	35	115P10	CC4-4-9535	HCPK4	—	—
120	120	200P10	CC4-4-120120	HCPK4	—	—
120	95	200P10	CC4-4-12095	HCPK4	—	—
120	70	150P10	CC4-4-12070	HCPK4	—	—
120	50	150P10	CC4-4-12050	HCPK4	—	—
150	150	250P10	CC4-4-150150	HCPK4	—	—
150	120	250P10	CC4-4-150120	HCPK4	—	—
150	95	200P10	CC4-4-15095	HCPK4	—	—
150	70	150P10	CC4-4-15070	HCPK4	—	—
185	185	2 x 150P10	CC4-4-185185	HCPK4	—	—
185	150	250P10	CC4-4-185150	HCPK4	—	—
185	120	250P10	CC4-4-185120	HCPK4	—	—
185	95	200P10	CC4-4-18595	HCPK4	—	—
185	70	200P10	CC4-4-18570	HCPK4	—	—
240	240	2 x 250P10	CC4-5-240240	HCPK5	—	—
240	185	2 x 200P10	CC4-5-240185	HCPK5	—	—
240	150	2 x 200P10	CC4-5-240150	HCPK5	—	—
240	120	2 x 150P10	CC4-5-240120	HCPK5	—	—
300	300	3 x 200P10	CC4-5-300300	HCPK5	—	—

Special moulds for all FurseWELD products can be manufactured to meet specific customer applications on request

*4 x S103 Sleeve required when joining conductors 16 mm² or smaller

FurseWELD

Cable to cable CC6



Cable to cable CC6 - FurseWELD

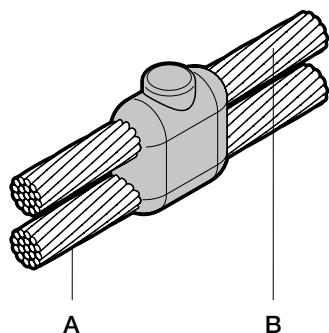
Stranded / solid circular conductor size A (mm ²)	Stranded solid circular conductor size B (mm ²)	Part no.				
		Powder cartridge	Standard mould	Handle clamp	Mini mould	Mini handle clamp
16 *	16 *	65P10	CC6-4-1616	HCPK4	CC6-3-1616	HCPK3
25	25	45P10	CC6-4-2525	HCPK4	CC6-3-2525	HCPK3
35	35	65P10	CC6-4-3535	HCPK4	CC6-3-3535	HCPK3
35	25	65P10	CC6-4-3525	HCPK4	CC6-3-3525	HCPK3
50	50	90P10	CC6-4-5050	HCPK4	CC6-3-5050	HCPK3
50	35	65P10	CC6-4-5035	HCPK4	CC6-3-5035	HCPK3
50	25	65P10	CC6-4-5025	HCPK4	CC6-3-5025	HCPK3
70	70	115P10	CC6-4-7070	HCPK4	CC6-3-7070	HCPK3
70	50	115P10	CC6-4-7050	HCPK4	CC6-3-7050	HCPK3
70	35	90P10	CC6-4-7035	HCPK4	CC6-3-7035	HCPK3
70	25	90P10	CC6-4-7025	HCPK4	CC6-3-7025	HCPK3
95	95	150P10	CC6-4-9595	HCPK4	—	—
95	70	115P10	CC6-4-9570	HCPK4	CC6-3-9570	HCPK3
95	50	115P10	CC6-4-9550	HCPK4	CC6-3-9550	HCPK3
95	35	115P10	CC6-4-9535	HCPK4	CC6-3-9535	HCPK3
120	120	200P10	CC6-4-120120	HCPK4	—	—
120	95	200P10	CC6-4-12095	HCPK4	—	—
120	70	150P10	CC6-4-12070	HCPK4	—	—
120	50	115P10	CC6-4-12050	HCPK4	CC6-3-12050	HCPK3

Special moulds for all FurseWELD products can be manufactured to meet specific customer applications on request

*3 x S103 Sleeve required when joining conductors 16 mm² or smaller

FurseWELD

Cable to cable CC7



Cable to cable CC7 - FurseWELD

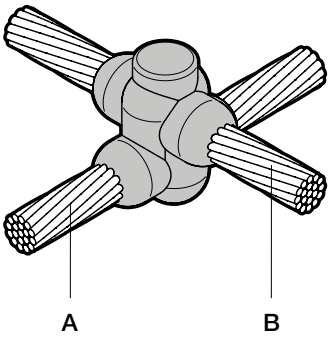
Stranded / solid circular conductor size A (mm ²)	Stranded solid circular conductor size B (mm ²)	Part no.				
		Powder cartridge	Standard mould	Handle clamp	Mini mould	Mini handle clamp
16 *	16 *	65P10	CC7-4-1616	HCPK4	CC7-3-1616	HCPK3
25	25	45P10	CC7-4-2525	HCPK4	CC7-3-2525	HCPK3
35	35	65P10	CC7-4-3535	HCPK4	CC7-3-3535	HCPK3
35	25	65P10	CC7-4-3525	HCPK4	CC7-3-3525	HCPK3
Ø 8	Ø 8	90P10	CC7-4-88SC	HCPK4	CC7-3-88SC	HCPK3
50	50	90P10	CC7-4-5050	HCPK4	CC7-3-5050	HCPK3
50	35	90P10	CC7-4-5035	HCPK4	CC7-3-5035	HCPK3
50	25	65P10	CC7-4-5025	HCPK4	CC7-3-5025	HCPK3
Ø 10	Ø 10	115P10	CC7-4-1010SC	HCPK4	CC7-3-1010SC	HCPK3
70	70	115P10	CC7-4-7070	HCPK4	CC7-3-7070	HCPK3
70	50	115P10	CC7-4-7050	HCPK4	CC7-3-7050	HCPK3
70	35	90P10	CC7-4-7035	HCPK4	CC7-3-7035	HCPK3
70	25	90P10	CC7-4-7025	HCPK4	CC7-3-7025	HCPK3
95	95	150P10	CC7-4-9595	HCPK4	—	—
95	70	115P10	CC7-4-9570	HCPK4	CC7-3-9570	HCPK3
95	50	115P10	CC7-4-9550	HCPK4	CC7-3-9550	HCPK3
95	35	115P10	CC7-4-9535	HCPK4	CC7-3-9535	HCPK3
120	120	200P10	CC7-4-120120	HCPK4	—	—
120	95	200P10	CC7-4-12095	HCPK4	—	—
120	70	150P10	CC7-4-12070	HCPK4	—	—
120	50	150P10	CC7-4-12050	HCPK4	—	—
150	150	2 x 150P10	CC7-5-150150	HCPK5	—	—
150	120	250P10	CC7-4-150120	HCPK4	—	—
150	95	200P10	CC7-4-15095	HCPK4	—	—
150	70	150P10	CC7-4-15070	HCPK4	—	—
185	185	2 x 150P10	CC7-5-185185	HCPK5	—	—
185	150	2 x 150P10	CC7-5-185150	HCPK5	—	—
185	120	250P10	CC7-4-185120	HCPK4	—	—
185	95	200P10	CC7-4-18595	HCPK4	—	—
240	240	2 x 200P10	CC7-5-240240	HCPK5	—	—
240	185	2 x 200P10	CC7-5-240185	HCPK5	—	—
240	150	2 x 150P10	CC7-5-240150	HCPK5	—	—
240	120	250P10	CC7-4-240120	HCPK4	—	—
300	300	2 x 250P10	CC7-5-300300	HCPK5	—	—
300	240	2 x 250P10	CC7-5-300240	HCPK5	—	—
300	185	2 x 200P10	CC7-5-300185	HCPK5	—	—
300	150	2 x 150P10	CC7-5-300150	HCPK5	—	—

Special moulds for all FurseWELD products can be manufactured to meet specific customer applications on request

*4 x S103 Sleeve required when joining conductors 16 mm² or smaller

FurseWELD

Cable to cable CC11



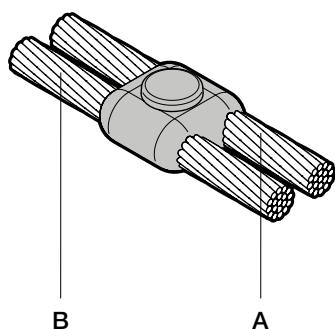
Cable to cable CC11 - FurseWELD

Stranded / solid circular conductor size A (mm ²)	Stranded / solid circular conductor size B (mm ²)	Part no.		
		Powder cartridge	Standard mould	Handle clamp
50	50	150P10	CC11-7-5050	HCPK7
70	70	200P10	CC11-7-7070	HCPK7
95	95	250P10	CC11-7-9595	HCPK7
120	120	2 x 150P10	CC11-7-120120	HCPK7
150	150	2 x 200P10	CC11-8-150150	HCPK8
185	185	2 x 250P10	CC11-8-185185	HCPK8
240	240	3 x 200P10	CC11-8-240240	HCPK8
300	300	3 x 250P10	CC11-8-300300	HCPK8
Ø 8	Ø 8	150P10	CC11-7-8SC8SC	HCPK7
Ø 10	Ø 10	150P10	CC11-7-1010SC	HCPK7

Special moulds for all FurseWELD products can be manufactured to meet specific customer applications on request

FurseWELD

Cable to cable CC14



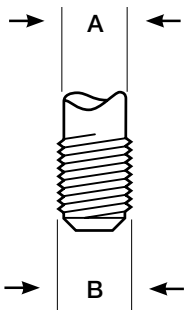
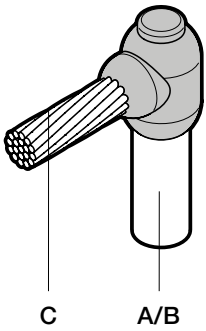
Cable to cable CC14 - FurseWELD

Stranded / solid circular conductor size A (mm ²)	Stranded / solid circular conductor size B (mm ²)	Part no.				
		Powder cartridge	Standard mould	Handle clamp	Mini mould	Mini handle clamp
16 *	16 *	65P10	CC14-4-1616	HCPK4	CC14-3-1616	HCPK3
25	25	45P10	CC14-4-2525	HCPK4	CC14-3-2525	HCPK3
35	35	65P10	CC14-4-3535	HCPK4	CC14-3-3535	HCPK3
35	25	65P10	CC14-4-3525	HCPK4	CC14-3-3525	HCPK3
Ø 8	Ø 8	90P10	CC14-4-88SC	HCPK4	CC14-3-88SC	HCPK3
50	50	90P10	CC14-4-5050	HCPK4	CC14-3-5050	HCPK3
50	35	90P10	CC14-4-5035	HCPK4	CC14-3-5035	HCPK3
50	25	90P10	CC14-4-5025	HCPK4	CC14-3-5025	HCPK3
Ø 10	Ø 10	115P10	CC14-4-1010SC	HCPK4	CC14-3-1010SC	HCPK3
70	70	115P10	CC14-4-7070	HCPK4	CC14-3-7070	HCPK3
70	50	115P10	CC14-4-7050	HCPK4	CC14-3-7050	HCPK3
70	35	90P10	CC14-4-7035	HCPK4	CC14-3-7035	HCPK3
70	25	90P10	CC14-4-7025	HCPK4	CC14-3-7025	HCPK3
95	95	150P10	CC14-4-9595	HCPK4	—	—
95	70	150P10	CC14-4-9570	HCPK4	—	—
95	50	150P10	CC14-4-9550	HCPK4	—	—
95	35	115P10	CC14-4-9535	HCPK4	CC14-3-9535	HCPK3
120	120	200P10	CC14-4-120120	HCPK4	—	—
120	95	200P10	CC14-4-12095	HCPK4	—	—
120	70	200P10	CC14-4-12070	HCPK4	—	—
120	50	150P10	CC14-4-12050	HCPK4	—	—

Special moulds for all FurseWELD products can be manufactured to meet specific customer applications on request
 *4 x S103 Sleeve required when joining conductors 16 mm² or smaller

FurseWELD

Cable to earth rod CR1



Cable to earth rod CR1 - FurseWELD

Earth rod A ø (mm)	Earth rod B ø (")	Stranded/ solid circular conductor size C (mm ²)	Part no.				
			Powder cartridge	Standard mould	Handle clamp	Mini mould	Mini handle clamp
12.7	½	16 *	65P10	CR1-4-12716	HCPK4	CR1-3-12716	HCPK3
12.7	½	25	65P10	CR1-4-12725	HCPK4	CR1-3-12725	HCPK3
12.7	½	35	65P10	CR1-4-12735	HCPK4	CR1-3-12735	HCPK3
12.7	½	50	65P10	CR1-4-12750	HCPK4	CR1-3-12750	HCPK3
12.7	½	Ø 8	65P10	CR1-4-1278SC	HCPK4	CR1-3-1278SC	HCPK3
12.7	½	70	90P10	CR1-4-12770	HCPK4	CR1-3-12770	HCPK3
12.7	½	95	90P10	CR1-4-12795	HCPK4	CR1-3-12795	HCPK3
12.7	½	120	90P10	CR1-4-127120	HCPK4	CR1-3-127120	HCPK3
14.2	¾	16 *	65P10	CR1-4-14216	HCPK4	CR1-3-14216	HCPK3
14.2	¾	25	65P10	CR1-4-14225	HCPK4	CR1-3-14225	HCPK3
14.2	¾	35	65P10	CR1-4-14235	HCPK4	CR1-3-14235	HCPK3
14.2	¾	50	90P10	CR1-4-14250	HCPK4	CR1-3-14250	HCPK3
14.2	¾	Ø 8	90P10	CR1-4-1428SC	HCPK4	CR1-3-1428SC	HCPK3
14.2	¾	70	90P10	CR1-4-14270	HCPK4	CR1-3-14270	HCPK3
14.2	¾	95	90P10	CR1-4-14295	HCPK4	CR1-3-14295	HCPK3
14.2	¾	120	90P10	CR1-4-142120	HCPK4	CR1-3-142120	HCPK3
14.2	¾	150	115P10	CR1-4-142150	HCPK4	CR1-3-142150	HCPK3
14.2	¾	185	115P10	CR1-4-142185	HCPK4	CR1-3-142185	HCPK3
14.2	¾	240	150P10	CR1-4-142240	HCPK4	-	-
17.2	¾	16 *	65P10	CR1-4-17216	HCPK4	CR1-3-17216	HCPK3
17.2	¾	25	65P10	CR1-4-17225	HCPK4	CR1-3-17225	HCPK3
17.2	¾	35	65P10	CR1-4-17235	HCPK4	CR1-3-17235	HCPK3
17.2	¾	50	90P10	CR1-4-17250	HCPK4	CR1-3-17250	HCPK3
17.2	¾	Ø 8	90P10	CR1-4-1728SC	HCPK4	CR1-3-1728SC	HCPK3
17.2	¾	70	90P10	CR1-4-17270	HCPK4	CR1-3-17270	HCPK3
17.2	¾	95	90P10	CR1-4-17295	HCPK4	CR1-3-17295	HCPK3
17.2	¾	120	90P10	CR1-4-172120	HCPK4	CR1-3-172120	HCPK3
17.2	¾	150	115P10	CR1-4-172150	HCPK4	CR1-3-172150	HCPK3
17.2	¾	185	115P10	CR1-4-172185	HCPK4	CR1-3-172185	HCPK3
17.2	¾	240	150P10	CR1-4-172240	HCPK4	-	-
17.2	¾	300	200P10	CR1-4-172300	HCPK4	-	-

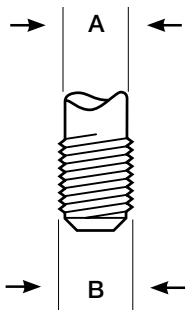
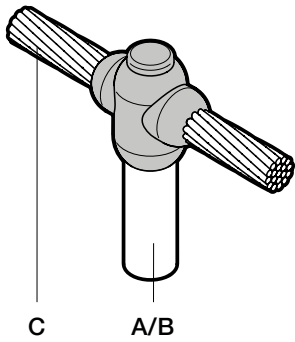
Suitable for connections to copperbond rods - for connections to solid copper and stainless steel rods please contact our sales office
Threaded portion of copperbond rods must be removed prior to welding

Special moulds for all FurseWELD products can be manufactured to meet specific customer applications on request

*1 x S103 Sleeve required when joining conductors 16 mm² or smaller

FurseWELD

Cable to earth rod CR2



Cable to earth rod CR2 - FurseWELD

Earth rod A ø (mm)	Earth rod B ø (")	Stranded/ solid circular conductor size C (mm ²)	Part no.				
			Powder cartridge	Standard mould	Handle clamp	Mini mould	Mini handle clamp
12.7	½	16 *	90P10	CR2-4-12716	HCPK4	CR2-3-12716	HCPK3
12.7	½	25	90P10	CR2-4-12725	HCPK4	CR2-3-12725	HCPK3
12.7	½	35	90P10	CR2-4-12735	HCPK4	CR2-3-12735	HCPK3
12.7	½	50	90P10	CR2-4-12750	HCPK4	CR2-3-12750	HCPK3
12.7	½	Ø 8	90P10	CR2-4-1278SC	HCPK4	CR2-3-1278SC	HCPK3
12.7	½	70	90P10	CR2-4-12770	HCPK4	CR2-3-12770	HCPK3
12.7	½	95	115P10	CR2-4-12795	HCPK4	CR2-3-12795	HCPK3
12.7	½	120	150P10	CR2-4-127120	HCPK4	-	-
14.2	¾	16 *	90P10	CR2-4-14216	HCPK4	CR2-3-14216	HCPK3
14.2	¾	25	90P10	CR2-4-14225	HCPK4	CR2-3-14225	HCPK3
14.2	¾	35	90P10	CR2-4-14235	HCPK4	CR2-3-14235	HCPK3
14.2	¾	50	90P10	CR2-4-14250	HCPK4	CR2-3-14250	HCPK3
14.2	¾	Ø 8	90P10	CR2-4-1428SC	HCPK4	CR2-3-1428SC	HCPK3
14.2	¾	70	115P10	CR2-4-14270	HCPK4	CR2-3-14270	HCPK3
14.2	¾	95	115P10	CR2-4-14295	HCPK4	CR2-3-14295	HCPK3
14.2	¾	120	150P10	CR2-4-142120	HCPK4	-	-
14.2	¾	150	200P10	CR2-4-142150	HCPK4	-	-
14.2	¾	185	200P10	CR2-4-142185	HCPK4	-	-
14.2	¾	240	250P10	CR2-4-142240	HCPK4	-	-
17.2	¾	16 *	90P10	CR2-4-17216	HCPK4	CR2-3-17216	HCPK3
17.2	¾	25	90P10	CR2-4-17225	HCPK4	CR2-3-17225	HCPK3
17.2	¾	35	90P10	CR2-4-17235	HCPK4	CR2-3-17235	HCPK3
17.2	¾	50	115P10	CR2-4-17250	HCPK4	CR2-3-17250	HCPK3
17.2	¾	Ø 8	115P10	CR2-4-1728SC	HCPK4	CR2-3-1728SC	HCPK3
17.2	¾	70	115P10	CR2-4-17270	HCPK4	CR2-3-17270	HCPK3
17.2	¾	95	115P10	CR2-4-17295	HCPK4	CR2-3-17295	HCPK3
17.2	¾	120	150P10	CR2-4-172120	HCPK4	-	-
17.2	¾	150	200P10	CR2-4-172150	HCPK4	-	-
17.2	¾	185	200P10	CR2-4-172185	HCPK4	-	-
17.2	¾	240	250P10	CR2-4-172240	HCPK4	-	-
17.2	¾	300	2 x 150P10	CR2-5-172300	HCPK5	-	-

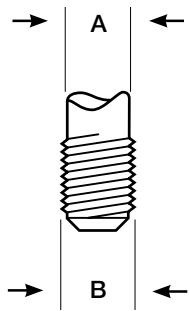
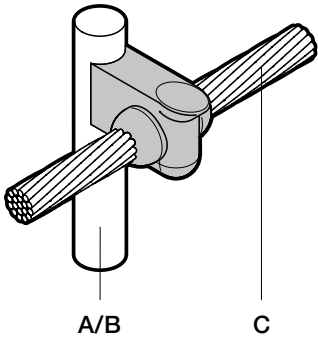
Suitable for connections to copperbond rods - for connections to solid copper and stainless steel rods please contact our sales office
Threaded portion of copperbond rods must be removed prior to welding

Special moulds for all FurseWELD products can be manufactured to meet specific customer applications on request

*2 x S103 Sleeve required when joining conductors 16 mm² or smaller

FurseWELD

Cable to earth rod CR3



Cable to earth rod CR3 - FurseWELD

Earth rod A ø (mm)	Earth rod B ø (")	Stranded/ solid circular conductor size C (mm ²)	Part no.		
			Powder cartridge	Standard mould	Handle clamp
12.7	½	16 *	90P10	CR3-9-12716	HCPK4
12.7	½	25	90P10	CR3-9-12725	HCPK4
12.7	½	35	90P10	CR3-9-12735	HCPK4
12.7	½	50	115P10	CR3-9-12750	HCPK4
12.7	½	Ø 8	115P10	CR3-9-1278SC	HCPK4
12.7	½	70	115P10	CR3-9-12770	HCPK4
12.7	½	95	115P10	CR3-9-12795	HCPK4
12.7	½	120	150P10	CR3-9-127120	HCPK4
14.2	¾	16 *	90P10	CR3-9-14216	HCPK4
14.2	¾	25	90P10	CR3-9-14225	HCPK4
14.2	¾	35	90P10	CR3-9-14235	HCPK4
14.2	¾	50	115P10	CR3-9-14250	HCPK4
14.2	¾	Ø 8	115P10	CR3-9-1428SC	HCPK4
14.2	¾	70	115P10	CR3-9-14270	HCPK4
14.2	¾	95	115P10	CR3-9-14295	HCPK4
14.2	¾	120	150P10	CR3-9-142120	HCPK4
14.2	¾	150	150P10	CR3-9-142150	HCPK4
14.2	¾	185	200P10	CR3-9-142185	HCPK4
14.2	¾	240	2 x 200P10	CR3-10-142240	HCPK5
17.2	¾	16 *	90P10	CR3-9-17216	HCPK4
17.2	¾	25	90P10	CR3-9-17225	HCPK4
17.2	¾	35	90P10	CR3-9-17235	HCPK4
17.2	¾	50	115P10	CR3-9-17250	HCPK4
17.2	¾	Ø 8	115P10	CR3-9-1728SC	HCPK4
17.2	¾	70	150P10	CR3-9-17270	HCPK4
17.2	¾	95	150P10	CR3-9-17295	HCPK4
17.2	¾	120	200P10	CR3-9-172120	HCPK4
17.2	¾	150	250P10	CR3-9-172150	HCPK4
17.2	¾	185	2 x 200P10	CR3-10-172185	HCPK5
17.2	¾	240	2 x 250P10	CR3-10-172240	HCPK5
17.2	¾	300	3 x 200P10	CR3-10-172300	HCPK5

Suitable for connections to copperbond rods - for connections to solid copper and stainless steel rods please contact our sales office
Threaded portion of copperbond rods must be removed prior to welding

Special moulds for all FurseWELD products can be manufactured to meet specific customer applications on request

*2 x S103 Sleeve required when joining conductors 16 mm² or smaller

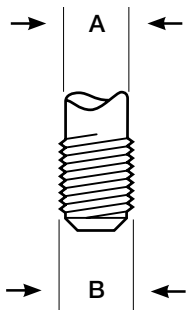
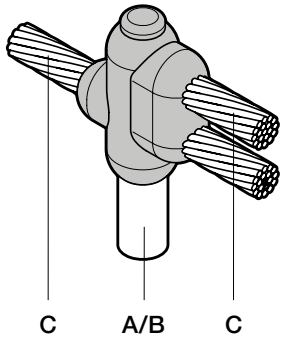
Frames

Part no.	Description
F1-FU	Frame for use with Handle Clamp HCPK4
F2-FU	Frame for use with Handle Clamp HCPK5

The CR3 joint type utilizes a 3 part mould. For this reason, a Frame is required in addition to the standard Handle Clamp

FurseWELD

Cable to earth rod CR17



Cable to earth rod CR17 - FurseWELD

Earth rod A Ø (mm)	Earth rod B Ø (")	Stranded/ solid circular conductor size C (mm ²)	Part no.				
			Powder cartridge	Standard mould	Handle clamp	Mini mould	Mini handle clamp
12.7	½	16 *	90P10	CR17-4-12716	HCPK4	CR17-3-12716	HCPK3
12.7	½	25	90P10	CR17-4-12725	HCPK4	CR17-3-12725	HCPK3
12.7	½	35	90P10	CR17-4-12735	HCPK4	CR17-3-12735	HCPK3
12.7	½	50	115P10	CR17-4-12750	HCPK4	CR17-3-12750	HCPK3
12.7	½	Ø 8	115P10	CR17-4-1278SC	HCPK4	CR17-3-1278SC	HCPK3
12.7	½	70	150P10	CR17-4-12770	HCPK4	-	-
12.7	½	95	200P10	CR17-4-12795	HCPK4	-	-
12.7	½	120	250P10	CR17-4-127120	HCPK4	-	-
14.2	¾	16 *	90P10	CR17-4-14216	HCPK4	CR17-3-14216	HCPK3
14.2	¾	25	90P10	CR17-4-14225	HCPK4	CR17-3-14225	HCPK3
14.2	¾	35	90P10	CR17-4-14235	HCPK4	CR17-3-14235	HCPK3
14.2	¾	50	115P10	CR17-4-14250	HCPK4	CR17-3-14250	HCPK3
14.2	¾	Ø 8	115P10	CR17-4-1428SC	HCPK4	CR17-3-1428SC	HCPK3
14.2	¾	70	200P10	CR17-4-14270	HCPK4	-	-
14.2	¾	95	250P10	CR17-4-14295	HCPK4	-	-
14.2	¾	120	250P10	CR17-4-142120	HCPK4	-	-
14.2	¾	150	250P10	CR17-4-142150	HCPK4	-	-
14.2	¾	185	2 x 150P10	CR17-4-142185	HCPK4	-	-
14.2	¾	240	2 x 200P10	CR17-5-142240	HCPK5	-	-
17.2	¾	16 *	115P10	CR17-4-17216	HCPK4	CR17-3-17216	HCPK3
17.2	¾	25	115P10	CR17-4-17225	HCPK4	CR17-3-17225	HCPK3
17.2	¾	35	115P10	CR17-4-17235	HCPK4	CR17-3-17235	HCPK3
17.2	¾	50	150P10	CR17-4-17250	HCPK4	-	-
17.2	¾	Ø 8	150P10	CR17-4-1728SC	HCPK4	-	-
17.2	¾	70	200P10	CR17-4-17270	HCPK4	-	-
17.2	¾	95	250P10	CR17-4-17295	HCPK4	-	-
17.2	¾	120	250P10	CR17-4-172120	HCPK4	-	-
17.2	¾	150	2 x 150P10	CR17-4-172150	HCPK4	-	-
17.2	¾	185	2 x 150P10	CR17-4-172185	HCPK4	-	-
17.2	¾	240	2 x 200P10	CR17-4-172240	HCPK4	-	-
17.2	¾	300	2 x 250P10	CR17-5-172240	HCPK5	-	-

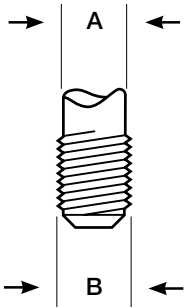
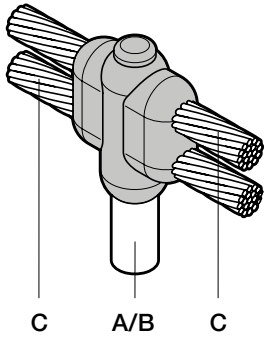
Suitable for connections to copperbond rods - for connections to solid copper and stainless steel rods please contact our sales office
Threaded portion of copperbond rods must be removed prior to welding

Special moulds for all FurseWELD products can be manufactured to meet specific customer applications on request

*3 x S103 Sleeve required when joining conductors 16 mm² or smaller

FurseWELD

Cable to earth rod CR24



Cable to earth rod CR24 - FurseWELD

Earth rod A ϕ (mm)	Earth rod B ϕ (")	Stranded/ solid circular conductor size C (mm ²)	Part no.				
			Powder cartridge	Standard mould	Handle clamp	Mini mould	Mini handle clamp
12.7	1/2	16 *	90P10	CR24-4-12716	HCPK4	CR24-3-12716	HCPK3
12.7	1/2	25	90P10	CR24-4-12725	HCPK4	CR24-3-12725	HCPK3
12.7	1/2	35	90P10	CR24-4-12735	HCPK4	CR24-3-12735	HCPK3
12.7	1/2	50	115P10	CR24-4-12750	HCPK4	CR24-3-12750	HCPK3
12.7	1/2	\emptyset 8	115P10	CR24-4-1278SC	HCPK4	CR24-3-1278SC	HCPK3
12.7	1/2	70	150P10	CR24-4-12770	HCPK4	-	-
12.7	1/2	95	200P10	CR24-4-12795	HCPK4	-	-
12.7	1/2	120	250P10	CR24-4-127120	HCPK4	-	-
14.2	5/8	16 *	115P10	CR24-4-14216	HCPK4	CR24-3-14216	HCPK3
14.2	5/8	25	115P10	CR24-4-14225	HCPK4	CR24-3-14225	HCPK3
14.2	5/8	35	115P10	CR24-4-14235	HCPK4	CR24-3-14235	HCPK3
14.2	5/8	50	200P10	CR24-4-14250	HCPK4	-	-
14.2	5/8	\emptyset 8	200P10	CR24-4-1428SC	HCPK4	-	-
14.2	5/8	70	250P10	CR24-4-14270	HCPK4	-	-
14.2	5/8	95	250P10	CR24-4-14295	HCPK4	-	-
14.2	5/8	120	2 x 150P10	CR24-4-142120	HCPK4	-	-
14.2	5/8	150	2 x 150P10	CR24-4-142150	HCPK4	-	-
14.2	5/8	185	2 x 200P10	CR24-5-142185	HCPK5	-	-
14.2	5/8	240	2 x 200P10	CR24-5-142240	HCPK5	-	-
17.2	3/4	16 *	115P10	CR24-4-17216	HCPK4	CR24-3-17216	HCPK3
17.2	3/4	25	115P10	CR24-4-17225	HCPK4	CR24-3-17225	HCPK3
17.2	3/4	35	115P10	CR24-4-17235	HCPK4	CR24-3-17235	HCPK3
17.2	3/4	50	250P10	CR24-4-17250	HCPK4	-	-
17.2	3/4	\emptyset 8	250P10	CR24-4-1728SC	HCPK4	-	-
17.2	3/4	70	2 x 150P10	CR24-4-17270	HCPK4	-	-
17.2	3/4	95	2 x 150P10	CR24-4-17295	HCPK4	-	-
17.2	3/4	120	2 x 150P10	CR24-4-172120	HCPK4	-	-
17.2	3/4	150	2 x 200P10	CR24-5-172150	HCPK5	-	-
17.2	3/4	185	2 x 200P10	CR24-5-172185	HCPK5	-	-
17.2	3/4	240	2 x 250P10	CR24-5-172240	HCPK5	-	-
17.2	3/4	300	2 x 250P10	CR24-5-172300	HCPK5	-	-

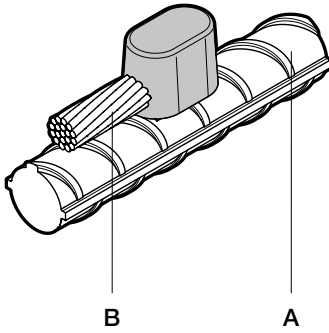
Suitable for connections to copperbond rods - for connections to solid copper and stainless steel rods please contact our sales office
Threaded portion of copperbond rods must be removed prior to welding

Special moulds for all FurseWELD products can be manufactured to meet specific customer applications on request

*4 x S103 Sleeve required when joining conductors 16 mm² or smaller

FurseWELD

Cable to reinforcing bar CRE1



Cable to reinforcing bar CRE1 - FurseWELD

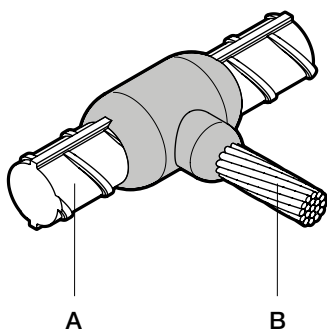
Reinforcing bar size A ø (mm ²)	Stranded/ solid circular conductor size B (mm)	Part no.			
		Powder cartridge	Standard mould	Handle clamp	Packing
10-40	16 *	45P10	CRE1-3-16	HCPK3-B	PACK-A
10-40	25	45P10	CRE1-3-25	HCPK3-B	PACK-A
10-40	35	45P10	CRE1-3-35	HCPK3-B	PACK-A
10-40	Ø 8	90P10	CRE1-3-8SC	HCPK3-B	PACK-A
10-40	50	90P10	CRE1-3-50	HCPK3-B	PACK-A
10-40	Ø 10	90P10	CRE1-3-10SC	HCPK3-B	PACK-A
10-40	70	90P10	CRE1-3-70	HCPK3-B	PACK-A
10-40	95	90P10	CRE1-3-95	HCPK3-B	PACK-A
10-40	120	90P10	CRE1-3-120	HCPK3-B	PACK-A

Special moulds for all FurseWELD products can be manufactured to meet specific customer applications on request

*1 x S103 Sleeve required when joining conductors 16 mm² or smaller

FurseWELD

Cable to reinforcing bar CRE2



Cable to reinforcing bar CRE2 - FurseWELD

Reinforcing bar size A ø (mm)	Stranded/ solid circular conductor size B (mm ²)	Part no.		
		Powder cartridge	Standard mould	Handle clamp
16	16 *	90P10	CRE2-4-16R16	HCPK4
16	25	90P10	CRE2-4-16R25	HCPK4
16	35	90P10	CRE2-4-16R35	HCPK4
16	Ø 8	115P10	CRE2-4-16R8SC	HCPK4
16	50	115P10	CRE2-4-16R50	HCPK4
16	Ø 10	115P10	CRE2-4-16R10SC	HCPK4
16	70	115P10	CRE2-4-16R70	HCPK4
16	95	150P10	CRE2-4-16R95	HCPK4
16	120	150P10	CRE2-4-16R120	HCPK4
16	150	200P10	CRE2-4-16R150	HCPK4
16	185	200P10	CRE2-4-16R185	HCPK4
16	240	250P10	CRE2-4-16R240	HCPK4
16	300	2 x 150P10	CRE2-4-16R300	HCPK4
18	16 *	115P10	CRE2-4-18R16	HCPK4
18	25	115P10	CRE2-4-18R25	HCPK4
18	35	115P10	CRE2-4-18R35	HCPK4
18	Ø 8	150P10	CRE2-4-18R8SC	HCPK4
18	50	150P10	CRE2-4-18R50	HCPK4
18	Ø 10	150P10	CRE2-4-18R10SC	HCPK4
18	70	150P10	CRE2-4-18R70	HCPK4
18	95	150P10	CRE2-4-18R95	HCPK4
18	120	200P10	CRE2-4-18R120	HCPK4
18	150	200P10	CRE2-4-18R150	HCPK4
18	185	200P10	CRE2-4-18R185	HCPK4
18	240	250P10	CRE2-4-18R240	HCPK4
18	300	2 x 150P10	CRE2-4-18R300	HCPK4
20	16 *	115P10	CRE2-4-20R16	HCPK4
20	25	115P10	CRE2-4-20R25	HCPK4
20	35	115P10	CRE2-4-20R35	HCPK4
20	Ø 8	150P10	CRE2-4-20R8SC	HCPK4
20	50	150P10	CRE2-4-20R50	HCPK4
20	Ø 10	150P10	CRE2-4-20R10SC	HCPK4
20	70	200P10	CRE2-4-20R70	HCPK4
20	95	200P10	CRE2-4-20R95	HCPK4
20	120	200P10	CRE2-4-20R120	HCPK4
20	150	200P10	CRE2-4-20R150	HCPK4
20	185	250P10	CRE2-4-20R185	HCPK4
20	240	2 x 150P10	CRE2-4-20R240	HCPK4
20	300	2 x 200P10	CRE2-5-20R300	HCPK5
25	16 *	200P10	CRE2-4-25R16	HCPK4
25	25	200P10	CRE2-4-25R25	HCPK4
25	35	200P10	CRE2-4-25R35	HCPK4
25	Ø 8	200P10	CRE2-4-25R8SC	HCPK4

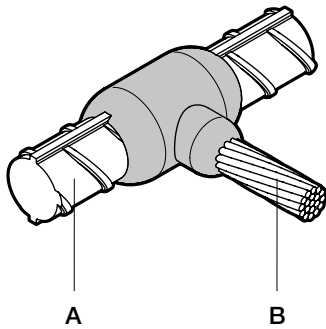
Special moulds for all FurseWELD products can be manufactured to meet specific customer applications on request

*1 x S103 Sleeve required when joining conductors 16 mm² or smaller



FurseWELD

Cable to reinforcing bar CRE2 & CRE 3

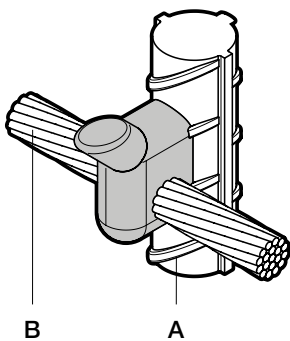


Cable to reinforcing bar CRE2 (continued) - FurseWELD

Reinforcing bar size A ø (mm)	Stranded/ solid circular conductor size B (mm ²)	Part no.		
		Powder cartridge	Standard mould	Handle clamp
25	50	200P10	CRE2-4-25R50	HCPK4
25	Ø 10	250P10	CRE2-4-25R10SC	HCPK4
25	70	250P10	CRE2-4-25R70	HCPK4
25	95	250P10	CRE2-4-25R95	HCPK4
25	120	250P10	CRE2-4-25R120	HCPK4
25	150	2x 150P10	CRE2-4-25R150	HCPK4
25	185	2x 150P10	CRE2-5-25R185	HCPK5
25	240	2x 200P10	CRE2-5-25R240	HCPK5
25	300	2x 200P10	CRE2-5-25R300	HCPK5
30	16 *	250P10	CRE2-4-30R16	HCPK4
30	25	250P10	CRE2-4-30R25	HCPK4
30	35	250P10	CRE2-4-30R35	HCPK4
30	Ø 8	2x 150P10	CRE2-4-30R8SC	HCPK4
30	50	2x 150P10	CRE2-4-30R50	HCPK4
30	Ø 10	2x 150P10	CRE2-4-30R10SC	HCPK4
30	70	2x 150P10	CRE2-4-30R70	HCPK4
30	95	2x 150P10	CRE2-5-30R95	HCPK5
30	120	2x 200P10	CRE2-5-30R120	HCPK5
30	150	2x 200P10	CRE2-5-30R150	HCPK5
30	185	2x 250P10	CRE2-5-30R185	HCPK5
30	240	3x 200P10	CRE2-5-30R240	HCPK5
30	300	3x 200P10	CRE2-5-30R300	HCPK5

Special moulds for all FurseWELD products can be manufactured to meet specific customer applications on request

*1 x S103 Sleeve required when joining conductors 16 mm² or smaller



Cable to reinforcing bar CRE3 - FurseWELD

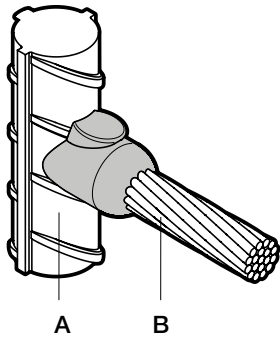
Reinforcing bar size A ø (mm)	Stranded/ solid circular conductor size B (mm ²)	Part no.			
		Powder cartridge	Standard mould	Handle clamp	Packing
10-40	16 *	45P10	CRE3-3-16	HCPK3-A	PACK-A
10-40	25	45P10	CRE3-3-25	HCPK3-A	PACK-A
10-40	35	45P10	CRE3-3-35	HCPK3-A	PACK-A
10-40	Ø 8	90P10	CRE3-3-8SC	HCPK3-A	PACK-A
10-40	50	90P10	CRE3-3-50	HCPK3-A	PACK-A
10-40	Ø 10	90P10	CRE3-3-10SC	HCPK3-A	PACK-A
10-40	70	90P10	CRE3-3-70	HCPK3-A	PACK-A
10-40	95	90P10	CRE3-3-95	HCPK3-A	PACK-A
10-40	120	90P10	CRE3-3-120	HCPK3-A	PACK-A

Special moulds for all FurseWELD products can be manufactured to meet specific customer applications on request

*2 x S103 Sleeve required when joining conductors 16 mm² or smaller

FurseWELD

Cable to reinforcing bar CRE6 & CRE17

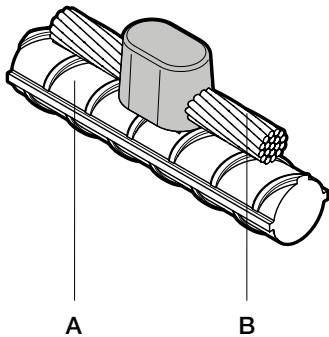


Cable to reinforcing bar CRE6 - FurseWELD

Reinforcing bar size A ø (mm)	Stranded/ solid circular conductor size B (mm ²)	Part no.			
		Powder cartridge	Standard mould	Handle clamp	Packing
10-40	16 *	45P10	CRE6-3-16	HCPK3-A	PACK-A
10-40	25	45P10	CRE6-3-25	HCPK3-A	PACK-A
10-40	35	45P10	CRE6-3-35	HCPK3-A	PACK-A
10-40	Ø 8	65P10	CRE6-3-8SC	HCPK3-A	PACK-A
10-40	50	65P10	CRE6-3-50	HCPK3-A	PACK-A
10-40	Ø 10	90P10	CRE6-3-10SC	HCPK3-A	PACK-A
10-40	70	90P10	CRE6-3-70	HCPK3-A	PACK-A
10-40	95	90P10	CRE6-4-95	HCPK3-A	PACK-A
10-40	120	115P10	CRE6-4-120	HCPK3-A	PACK-A

Special moulds for all FurseWELD products can be manufactured to meet specific customer applications on request
 *1 x S103 Sleeve required when joining conductors 16 mm² or smaller

9



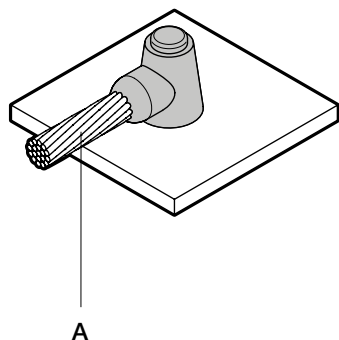
Cable to reinforcing bar CRE17 - FurseWELD

Reinforcing bar size A ø (mm)	Stranded/ solid circular conductor size B (mm ²)	Part no.			
		Powder cartridge	Standard mould	Handle clamp	Packing
10-40	16 *	45P10	CRE17-3-16	HCPK3-B	PACK-A
10-40	25	45P10	CRE17-3-25	HCPK3-B	PACK-A
10-40	35	45P10	CRE17-3-35	HCPK3-B	PACK-A
10-40	Ø 8	90P10	CRE17-3-8SC	HCPK3-B	PACK-A
10-40	50	90P10	CRE17-3-50	HCPK3-B	PACK-A
10-40	Ø 10	90P10	CRE17-3-10SC	HCPK3-B	PACK-A
10-40	70	90P10	CRE17-3-70	HCPK3-B	PACK-A
10-40	95	90P10	CRE17-3-95	HCPK3-B	PACK-A
10-40	120	90P10	CRE17-3-120	HCPK3-B	PACK-A

Special moulds for all FurseWELD products can be manufactured to meet specific customer applications on request
 *1 x S103 Sleeve required when joining conductors 16 mm² or smaller

FurseWELD

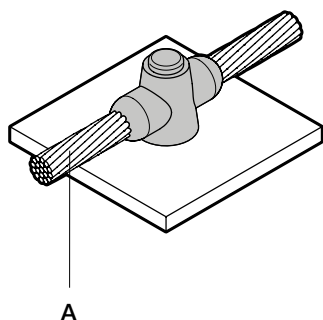
Cable to steel surface & pipe CS1 & CS2



Cable to steel surface & pipe CS1 - FurseWELD

Stranded / solid circular conductor size A (mm ²)	Part no.		
	Powder cartridge	Standard mould	Handle clamp
16	Use CS8		
25	Use CS8		
35	Use CS8		
Ø 8 mm	90P10	CS1-4-8SC	HCPK4
50	90P10	CS1-4-50-FU	HCPK4
Ø 10 mm	90P10	CS1-4-10SC	HCPK4
70	90P10	CS1-4-70	HCPK4
95	115P10	CS1-4-95	HCPK4
120	115P10	CS1-4-120	HCPK4
150	150P10	CS1-4-150	HCPK4
185	200P10	CS1-4-185	HCPK4
240	200P10	CS1-4-240	HCPK4
300	250P10	CS1-4-300	HCPK4

Special moulds for all FurseWELD products can be manufactured to meet specific customer applications on request



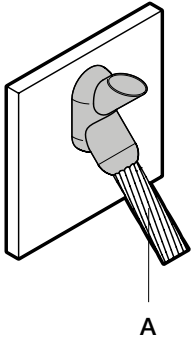
Cable to steel surface & pipe CS2 - FurseWELD

Stranded / solid circular conductor size A (mm ²)	Part no.		
	Powder cartridge	Standard mould	Handle clamp
16	Use CS9		
25	Use CS9		
35	Use CS9		
Ø 8 mm	90P10	CS2-4-8SC	HCPK4
50	90P10	CS2-4-50	HCPK4
Ø 10 mm	115P10	CS2-4-10SC	HCPK4
70	115P10	CS2-4-70	HCPK4
95	115P10	CS2-4-95	HCPK4
120	150P10	CS2-4-120	HCPK4
150	200P10	CS2-4-150	HCPK4
185	250P10	CS2-4-185	HCPK4
240	2 x 150P10	CS2-5-240	HCPK5
300	2 x 200P10	CS2-5-300	HCPK5

Special moulds for all FurseWELD products can be manufactured to meet specific customer applications on request

FurseWELD

Cable to steel surface & pipe CS3 & CS7



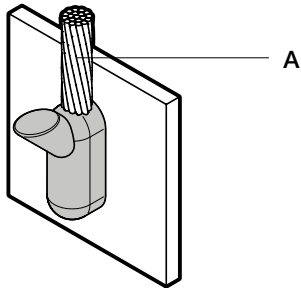
Cable to steel surface & pipe CS3 - FurseWELD

Stranded / solid circular conductor size A (mm ²)	Part no.				
	Powder cartridge	Standard mould	Handle clamp	Mini mould	Mini handle clamp
16 *	45P10	CS3-4-16	HCPK4	CS3-3-16	HCPK3
25	45P10	CS3-4-25	HCPK4	CS3-3-25	HCPK3
35	45P10	CS3-4-35	HCPK4	CS3-3-35	HCPK3
Ø 8	65P10	CS3-4-8SC	HCPK4	CS3-3-8SC	HCPK3
50	65P10	CS3-4-50	HCPK4	CS3-3-50	HCPK3
Ø 10 m	90P10	CS3-4-10SC	HCPK4	CS3-3-10SC	HCPK3
70	90P10	CS3-4-70	HCPK4	CS3-3-70	HCPK3
95	115P10	CS3-4-95	HCPK4	CS3-3-95	HCPK3
120	115P10	CS3-4-120	HCPK4	CS3-3-120	HCPK3
150	115P10	CS3-4-150	HCPK4	CS3-3-150	HCPK3
185	200P10	CS3-4-185	HCPK4	–	–
240	200P10	CS3-4-240	HCPK4	–	–
300	250P10	CS3-4-300	HCPK4	–	–

Special moulds for all FurseWELD products can be manufactured to meet specific customer applications on request

*1 x S103 Sleeve required when joining conductors 16 mm² or smaller

9



Cable to steel surface & pipe CS7 - FurseWELD

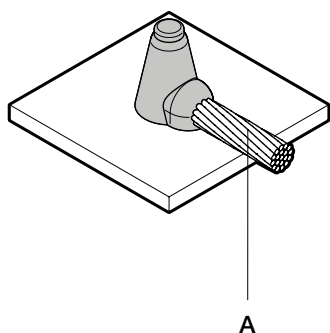
Stranded / solid circular conductor size A (mm ²)	Part no.				
	Powder cartridge	Standard mould	Handle clamp	Mini mould	Mini handle clamp
16 *	65P10	CS7-4-16	HCPK4	CS7-3-16	HCPK3
25	65P10	CS7-4-25	HCPK4	CS7-3-25	HCPK3
35	65P10	CS7-4-35	HCPK4	CS7-3-35	HCPK3
Ø 8	90P10	CS7-4-8SC	HCPK4	CS7-3-8SC	HCPK3
50	90P10	CS7-4-50	HCPK4	CS7-3-50	HCPK3
Ø 10	150P10	CS7-4-10SC	HCPK4	–	–
70	150P10	CS7-4-70	HCPK4	–	–
95	200P10	CS7-5-95	HCPK4	–	–
120	200P10	CS7-5-120	HCPK4	–	–
150	250P10	CS7-5-150	HCPK4	–	–
185	2 x 150P10	CS7-9-185	HCPK4	–	–
240	2 x 150P10	CS7-9-240	HCPK4	–	–
300	2 x 200P10	CS7-10-300	HCPK5	–	–

Special moulds for all FurseWELD products can be manufactured to meet specific customer applications on request

*1 x S103 Sleeve required when joining conductors 16 mm² or smaller

FurseWELD

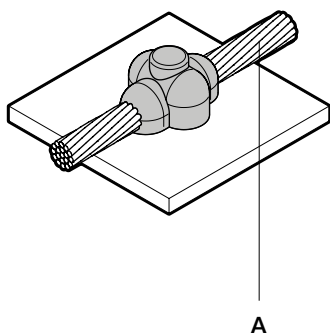
Cable to steel surface & pipe CS8 & CS9



Cable to steel surface & pipe CS8 - FurseWELD

Stranded / solid circular conductor size A (mm ²)	Part no.		
	Powder cartridge	Standard mould	Handle clamp
16 *	45P10	CS8-2-16	HCPK2
25	45P10	CS8-2-25	HCPK2
35	45P10	CS8-2-35	HCPK2
Ø 8	45P10	CS8-2-8SC	HCPK2
50	45P10	CS8-2-50	HCPK2
Ø 10	65P10	CS8-2-10SC	HCPK2
70	65P10	CS8-2-70	HCPK2
95	90P10	CS8-2-95	HCPK2
120	115P10	CS8-4-120	HCPK4
150	150P10	CS8-4-150	HCPK4
185	200P10	CS8-4-185	HCPK4
240	200P10	CS8-4-240	HCPK4
300	250P10	CS8-4-300	HCPK4

Special moulds for all FurseWELD products can be manufactured to meet specific customer applications on request
 *1 x S103 Sleeve required when joining conductors 16 mm² or smaller



Cable to steel surface & pipe CS9 - FurseWELD

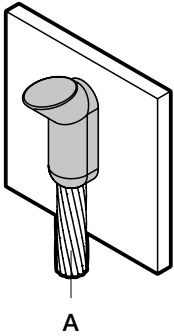
Stranded / solid circular conductor size A (mm ²)	Part no.		
	Powder cartridge	Standard mould	Handle clamp
16 *	45P10	CS9-4-16	HCPK2
25	45P10	CS9-4-25	HCPK2
35	45P10	CS9-4-35	HCPK2
Ø 8	90P10	CS9-4-8SC	HCPK4
50	90P10	CS9-4-50	HCPK4
Ø 10	115P10	CS9-4-10SC	HCPK4
70	115P10	CS9-4-70	HCPK4
95	115P10	C9-4-95	HCPK4
120	150P10	CS9-4-120	HCPK4
150	200P10	CS9-4-150	HCPK4
185	250P10	CS9-4-185	HCPK4
240	2 x 150P10	CS9-5-240	HCPK5

Special moulds for all FurseWELD products can be manufactured to meet specific customer applications on request
 *1 x S103 Sleeve required when joining conductors 16 mm² or smaller



FurseWELD

Cable to steel surface & pipe CS25 & CS27



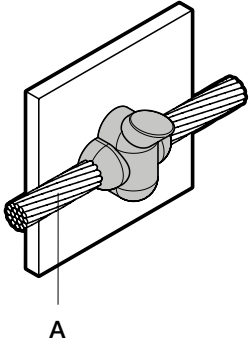
Cable to steel surface & pipe CS25 - FurseWELD

Stranded / solid circular conductor size A (mm ²)	Part no.				
	Powder cartridge	Standard mould	Handle clamp	Mini mould	Mini handle clamp
16 *	45P10	CS25-4-16	HCPK4	CS25-3-16	HCPK3
25	45P10	CS25-4-25	HCPK4	CS25-3-25	HCPK3
35	45P10	CS25-4-35	HCPK4	CS25-3-35	HCPK3
Ø 8	65P10	CS25-4-8SC	HCPK4	CS25-3-8SC	HCPK3
50	65P10	CS25-4-50	HCPK4	CS25-3-50	HCPK3
Ø 10	90P10	CS25-4-10SC	HCPK4	-	-
70	90P10	CS25-4-70	HCPK4	CS25-3-70	HCPK3
95	115P10	CS25-4-95	HCPK4	-	-
120	115P10	CS25-4-120	HCPK4	-	-
150	150P10	CS25-4-150	HCPK4	-	-
185	200P10	CS25-4-185	HCPK4	-	-
240	200P10	CS25-4-240	HCPK4	-	-
300	250P10	CS25-4-300	HCPK4	-	-

Special moulds for all FurseWELD products can be manufactured to meet specific customer applications on request
 *1 x S103 Sleeve required when joining conductors 16 mm² or smaller



9



Cable to steel surface & pipe CS27 - FurseWELD

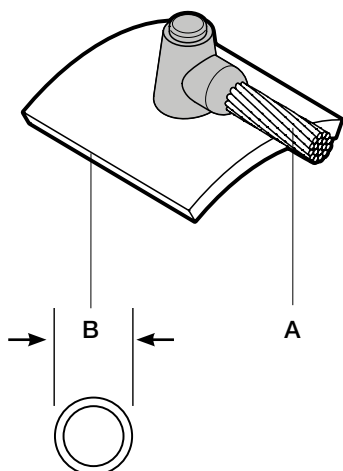
Stranded / solid circular conductor size A (mm ²)	Part no.		
	Powder cartridge	Standard mould	Handle clamp
16 *	45P10	CS27-4-16	HCPK4
25	45P10	CS27-4-25	HCPK4
35	45P10	CS27-4-35	HCPK4
Ø 8	65P10	CS27-4-8SC	HCPK4
50	65P10	CS27-4-50	HCPK4
Ø 10	115P10	CS27-4-10SC	HCPK4
70	115P10	CS27-4-70	HCPK4
95	150P10	CS27-4-95	HCPK4
120	150P10	CS27-4-120	HCPK4
150	200P10	CS27-5-150	HCPK5
185	250P10	CS27-5-185	HCPK5
240	2 x 150P10	CS27-5-240	HCPK5
300	2 x 200P10	CS27-5-300	HCPK5

Special moulds for all FurseWELD products can be manufactured to meet specific customer applications on request
 *1 x S103 Sleeve required when joining conductors 16 mm² or smaller



FurseWELD

Cable to steel surface & pipe CS32



Cable to steel surface & pipe CS32 - FurseWELD

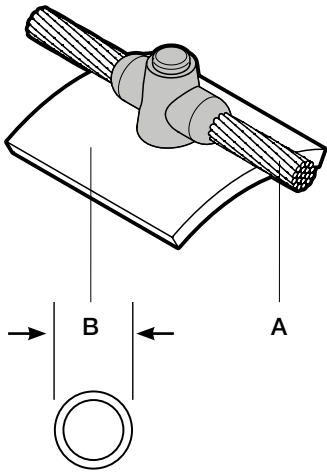
Stranded conductor size A (mm ²)	Pipe size B ø (mm)	Part no.			
		Powder cartridge	Standard mould	Handle clamp	Sleeve
2.5	< 125	15P10	CS32-1-2.5-A	HCPK1	1 x S105
2.5	> 125	15P10	CS32-1-2.5-B	HCPK1	1 x S105
4	< 125	15P10	CS32-1-4-A	HCPK1	1 x S105
4	> 125	15P10	CS32-1-4-B	HCPK1	1 x S105
6	< 125	15P10	CS32-1-6-A	HCPK1	1 x S105
6	> 125	15P10	CS32-1-6-B	HCPK1	1 x S105
10	< 125	25P10	CS32-1-10-A	HCPK1	1 x S102
10	> 125	25P10	CS32-1-10-B	HCPK1	1 x S102
16	< 125	45P10	CS32-2-16-A	HCPK2	1 x S103
16	> 125	45P10	CS32-2-16-B	HCPK2	1 x S103
25	< 70	25P10	CS32-1-25-C	HCPK1	-
25	70-165	25P10	CS32-1-25-D	HCPK1	-
25	> 165	25P10	CS32-1-25-E	HCPK1	-
35	< 70	45P10	CS32-2-35-C	HCPK2	-
35	70-165	45P10	CS32-2-35-D	HCPK2	-
35	165-250	45P10	CS32-2-35-F	HCPK2	-
35	> 250	45P10	CS32-2-35-G	HCPK2	-
50	< 70	45P10	CS32-2-50-C	HCPK2	-
50	70-165	45P10	CS32-2-50-D	HCPK2	-
50	165-250	45P10	CS32-2-50-F	HCPK2	-
50	> 250	45P10	CS32-2-50-G	HCPK2	-
70	< 70	65P10	CS32-2-70-C	HCPK2	-
70	70-165	65P10	CS32-2-70-D	HCPK2	-
70	165-250	65P10	CS32-2-70-F	HCPK2	-
70	> 250	65P10	CS32-2-70-G	HCPK2	-

Special moulds for all FurseWELD products can be manufactured to meet specific customer applications on request



FurseWELD

Cable to steel surface & pipe CS34



Cable to steel surface & pipe CS34 - FurseWELD

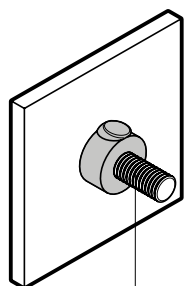
Stranded conductor size A (mm ²)	Pipe size B ø (mm)	Part no.			
		Powder cartridge	Standard mould	Handle clamp	Sleeve
2.5	< 125	15P10	CS34-2-2.5-A	HCPK2	2 x S105
2.5	> 125	15P10	CS34-2-2.5-B	HCPK2	2 x S105
4	< 125	15P10	CS34-2-4-A	HCPK2	2 x S105
4	> 125	15P10	CS34-2-4-B	HCPK2	2 x S105
6	< 125	15P10	CS34-2-6-A	HCPK2	2 x S105
6	> 125	15P10	CS34-2-6-B	HCPK2	2 x S105
10	< 125	32P10	CS34-2-10-A	HCPK2	2 x S102
10	> 125	32P10	CS34-2-10-B	HCPK2	2 x S102
16	< 125	45P10	CS34-2-16-A	HCPK2	2 x S103
16	> 125	45P10	CS34-2-16-B	HCPK2	2 x S103
25	< 70	32P10	CS34-2-25-C	HCPK2	-
25	70-165	32P10	CS34-2-25-D	HCPK2	-
25	> 165	32P10	CS34-2-25-E	HCPK2	-
35	< 70	45P10	CS34-2-35-C	HCPK2	-
35	70-165	45P10	CS34-2-35-D	HCPK2	-
35	165-250	45P10	CS34-2-35-F	HCPK2	-
35	> 250	45P10	CS34-2-35-G	HCPK2	-
50	< 70	65P10	CS34-2-50-C	HCPK2	-
50	70-165	65P10	CS34-2-50-D	HCPK2	-
50	165-250	65P10	CS34-2-50-F	HCPK2	-
50	> 250	65P10	CS34-2-50-G	HCPK2	-

Special moulds for all FurseWELD products can be manufactured to meet specific customer applications on request



FurseWELD

Stud to steel surface RS1 & RS2

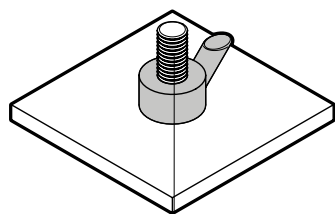


A

Stud to steel surface RS1 - FurseWELD

Stud size A	Part no.			
	Powder cartridge	Standard mould	Handle clamp	Stud
M6	25P10	RS1-4-M6	HCPK4	RSSM6
M8	32P10	RS1-4-M8	HCPK4	RSSM8
M10	45P10	RS1-4-M10	HCPK4	RSSM10
M12	65P10	RS1-4-M12	HCPK4	RSSM12
M16	115P10	RS1-4-M16	HCPK4	RSSM16

Special moulds for all FurseWELD products can be manufactured to meet specific customer applications on request



A

Stud to steel surface RS2 - FurseWELD

Stud Size A	Part no.			
	Powder cartridge	Standard mould	Handle clamp	Stud
M6	25P10	RS2-4-M6	HCPK4	RSSM6
M8	32P10	RS2-4-M8	HCPK4	RSSM8
M10	45P10	RS2-4-M10	HCPK4	RSSM10
M12	65P10	RS2-4-M12	HCPK4	RSSM12
M16	115P10	RS2-5-M16	HCPK5	RSSM16

Special moulds for all FurseWELD products can be manufactured to meet specific customer applications on request

FurseWELD SureSHOT System



The FurseWELD SureSHOT system is a cost effective solution for applications requiring only a small number of high quality electrical connections.

Like all FurseWELD products, SureSHOT uses the high temperature reaction between powdered copper oxide and aluminium to create fault tolerant electrical connections without any external power or heat source.

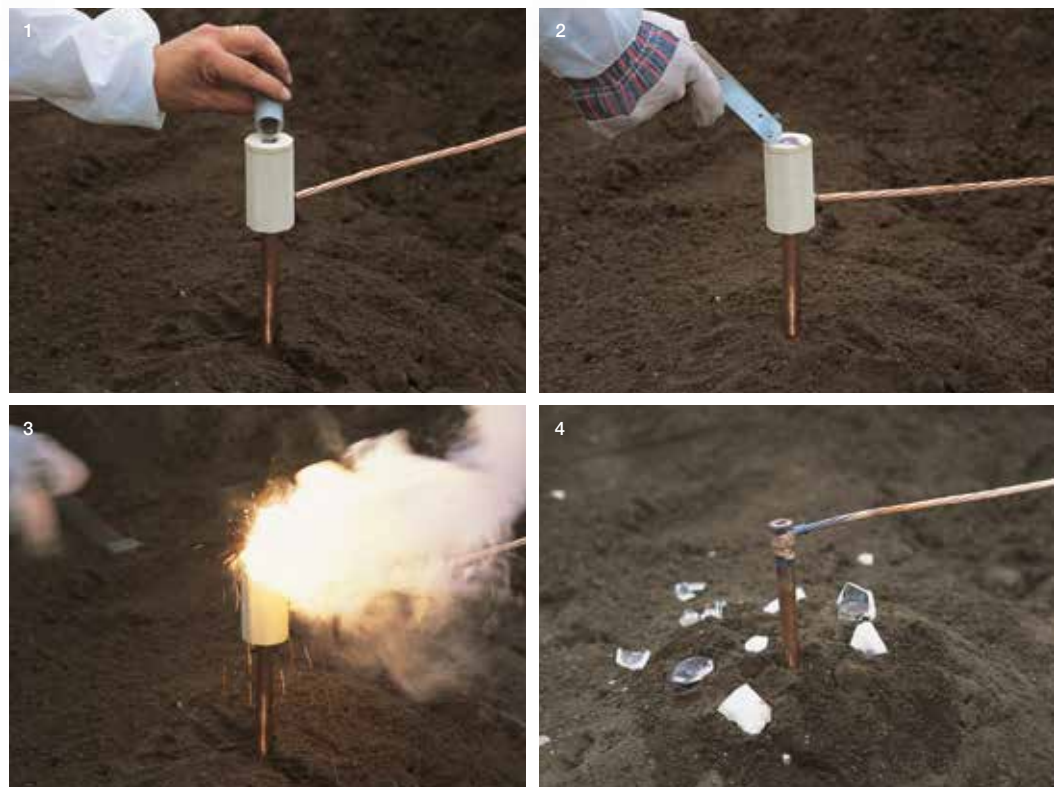
SureSHOT connections have the same benefits as FurseWELD connections:

- Tolerant to repeated fault currents
- Highly conductive
- Does not loosen
- Excellent corrosion resistance

Unlike the graphite FurseWELD moulds, the SureSHOT moulds are ceramic and specifically designed to be used only once. They are disposed of or buried in place with the joint once it has been completed. SureSHOT moulds are supplied complete with powders and retaining disc.

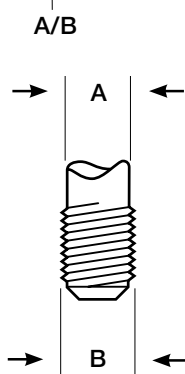
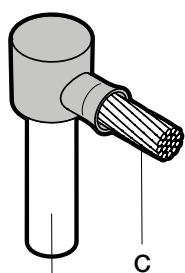
9

1 Insert the rod and conductor into the mould, locate the retaining disc and pour in the weld powder | 2 Place the lid on top of the mould, add starting powder and ignite with spark gun | 3 The resulting exothermic reaction reduces the weld powder to molten copper alloy which melts the retaining disc and flows into the weld cavity where it partially melts the conductors. The molten copper alloy cools to leave a fusion weld of great mechanical and electrical integrity | 4 Once the joint is completed, the ceramic mould can either be disposed of or buried in place



FurseWELD

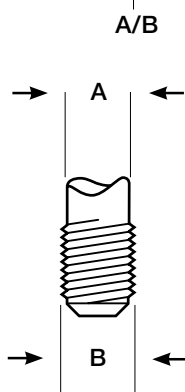
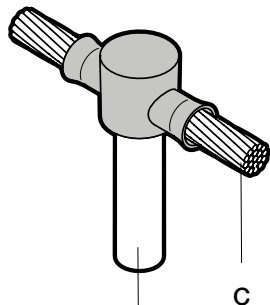
SureSHOT SS1 & SS2



SureSHOT SS1 - FurseWELD

Part no.	A ø (mm)	B ø (")	Stranded conductor C (mm ²)	Pack quantity
SS1-14216	14.2	5/8	16	4
SS1-14225	14.2	5/8	25	4
SS1-14235	14.2	5/8	35	4
SS1-14250	14.2	5/8	50	4
SS1-14270	14.2	5/8	70	4
SS1-14295	14.2	5/8	95	4
SS1-17216	17.2	3/4	16	4
SS1-17225	17.2	3/4	25	4
SS1-17235	17.2	3/4	35	4
SS1-17250	17.2	3/4	50	4
SS1-17270	17.2	3/4	70	4
SS1-17295	17.2	3/4	95	4

Suitable for connections to copperbond rods - for connections to solid copper and stainless steel rods please contact our sales office
Threaded portion of copperbond rods must be removed prior to welding



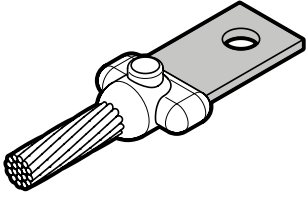
SureSHOT SS2 - FurseWELD

Part no.	A ø (mm)	B ø (")	Stranded conductor C (mm ²)	Pack quantity
SS2-14216	14.2	5/8	16	4
SS2-14225	14.2	5/8	25	4
SS2-14235	14.2	5/8	35	4
SS2-14250	14.2	5/8	50	4
SS2-14270	14.2	5/8	70	4
SS2-14295	14.2	5/8	95	4
SS2-17216	17.2	3/4	16	4
SS2-17225	17.2	3/4	25	4
SS2-17235	17.2	3/4	35	4
SS2-17250	17.2	3/4	50	4
SS2-17270	17.2	3/4	70	4
SS2-17295	17.2	3/4	95	4

Suitable for connections to copperbond rods - for connections to solid copper and stainless steel rods please contact our sales office
Threaded portion of copperbond rods must be removed prior to welding

FurseWELD

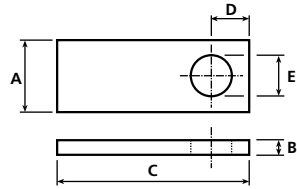
Straight type lug & cranked type lug



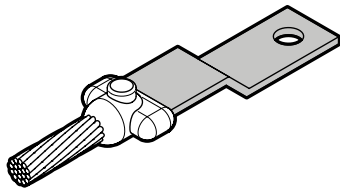
Straight type lug - FurseWELD

Part no.	Stranded Conductor				
	A (mm)	B (mm)	C (mm)	D (mm)	E (mm)
LS101-FU	20	3	45	10	8.5
LS102-FU	25	3	50	12	8.5
LS103-FU	25	3	50	12	10.5
LS104-FU	31	6	75	15	10.5
LS105-FU	31	6	75	15	12.5
LS106-FU	38	5	75	18	10.5
LS107-FU	38	6	75	18	10.5
LS108-FU	38	6	75	20	12.5
LS109-FU	50	6	95	25	10.5
LS110-FU	50	6	95	25	12.5

For suitable FurseWELD connection see page 9/22



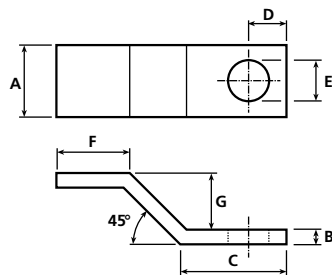
9



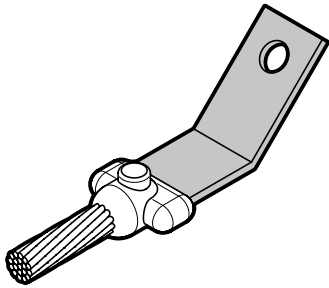
Cranked type lug - FurseWELD

Part no.	Stranded conductor						
	A (mm)	B (mm)	C (mm)	D (mm)	E (mm)	F (mm)	G (mm)
LC101-FU	20	3	40	10	8.5	40	10
LC102-FU	25	3	45	12	8.5	40	10
LC103-FU	25	3	45	12	10.5	40	10
LC104-FU	31	6	50	15	10.5	40	15
LC105-FU	31	6	50	16	12.5	40	15
LC106-FU	38	5	55	18	10.5	40	15
LC107-FU	38	6	55	18	10.5	40	15
LC108-FU	38	6	55	20	12.5	40	15
LC109-FU	50	6	75	25	10.5	60	20
LC110-FU	50	6	75	25	12.5	60	20

For suitable FurseWELD connection see page 9/22



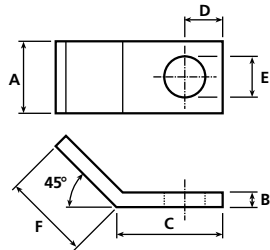
FurseWELD Offset type lug



Offset type lug - FurseWELD

Part no.	Stranded conductor					
	A (mm)	B (mm)	C (mm)	D (mm)	E (mm)	F (mm)
LO101	20	3	40	10	8.5	40
LO102-FU	25	3	45	12	8.5	40
LO103-FU	25	3	45	12	10.5	40
LO104	31	6	50	15	10.5	40
LO105	31	6	50	16	12.5	40
LO106	38	5	55	18	10.5	40
LO107	38	6	55	18	10.5	40
LO108	38	6	55	20	12.5	40
LO109	50	6	75	25	10.5	60
LO110	50	6	75	25	12.5	60

For suitable FurseWELD connection see page 9/22



FurseWELD

Handle clamps



Hande clamps - FurseWELD

Part no.	Description
HCPK1	Single part moulds (Price Key 1)
HCPK2	Single part moulds (Price Key 2)
HCPK3	Two part moulds (Price Key 3)
HCPK3A	With chain grip, two part moulds (Price Key 3)
HCPK3B	Sprung, single part moulds (Price Key 3)
HCPK4	Two-part moulds (Price Key 4)
HCPK4A	With chain grip, multi-part moulds (Price Key 4)
HCPK5	Multi-part moulds (Price Key 5)
HCPK7	Multi-part moulds (Price Key 7)
HCPK8	Multi-part moulds (Price Key 8)

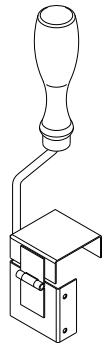
Frames

F1-FU	Frame for use with Handle Clamp HCPK4
F2-FU	Frame for use with Handle Clamp HCPK5

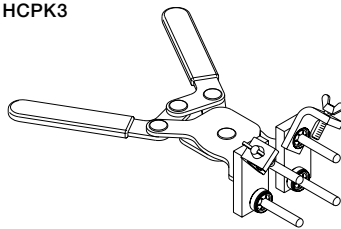
Handle clamps with chain grip enable location and fixing of the mould on to uneven surfaces such as pipes and rebars

Note: Drawings for illustration only. Product supplied may vary from illustration shown

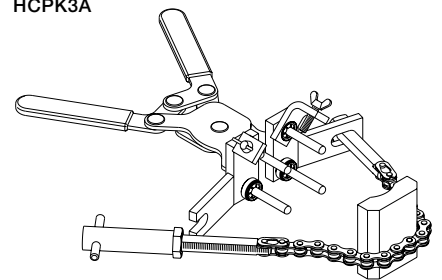
HCPK2



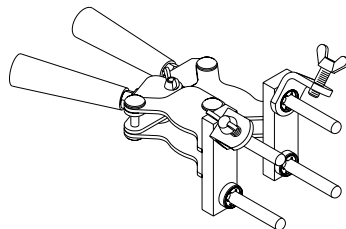
HCPK3



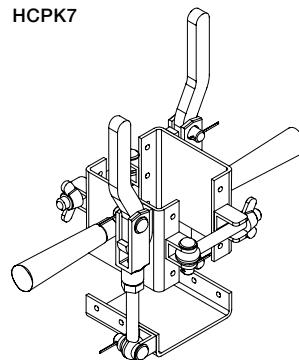
HCPK3A



HCPK4 & HCPK5



HCPK7



FurseWELD Accessories



Duxseal sealing compound



Copper sleeves



Cable cleaning brush,
Tape cleaning brush,
& Mould cleaning brush



Packing, Flint gun,
& Mould cleaning scraper

Accessories - FurseWELD

Part no.	Description
B135	Cable cleaning brush
BCM	Mould cleaning brush
BFC	Tape cleaning brush
DUXSEAL	Duxseal sealing compound (1 lb)
FGUN	Flint gun
FLINTS	Replacement flints (pack of 100)
HD35-HD150	Hammer die
PACK-A	Packing
S102-S111	Copper sleeve
S108A-S111A	Copper sleeve
STM1-FU	Mould cleaning scraper
TB100-FU	Welding toolbox
TK100	Standard toolkit for bar to bar joints Includes flint gun (FGUN), tape cleaning brush (BFC), mould cleaning brush and scraper (BCM & STM1-FU)
TK200	Standard toolkit for cable to cable joints Includes flint gun (FGUN), cable cleaning brush (B135), mould cleaning brush and scraper (BCM & STM1-FU)
MJ4	Mould jacket (Price Key 3 & 4)
MJ5	Mould jacket (Price Key 5)



Welding toolbox



Mould jacket

The Furse mould jacket is designed to permit safe and secure transportation and storage of FurseWELD moulds. Manufactured from woven Kevlar synthetic material with silicate padding and Velcro lined edges, the jacket protects against splashing of hot metal sparks, and prevents moisture ingress and damage to the mould.

