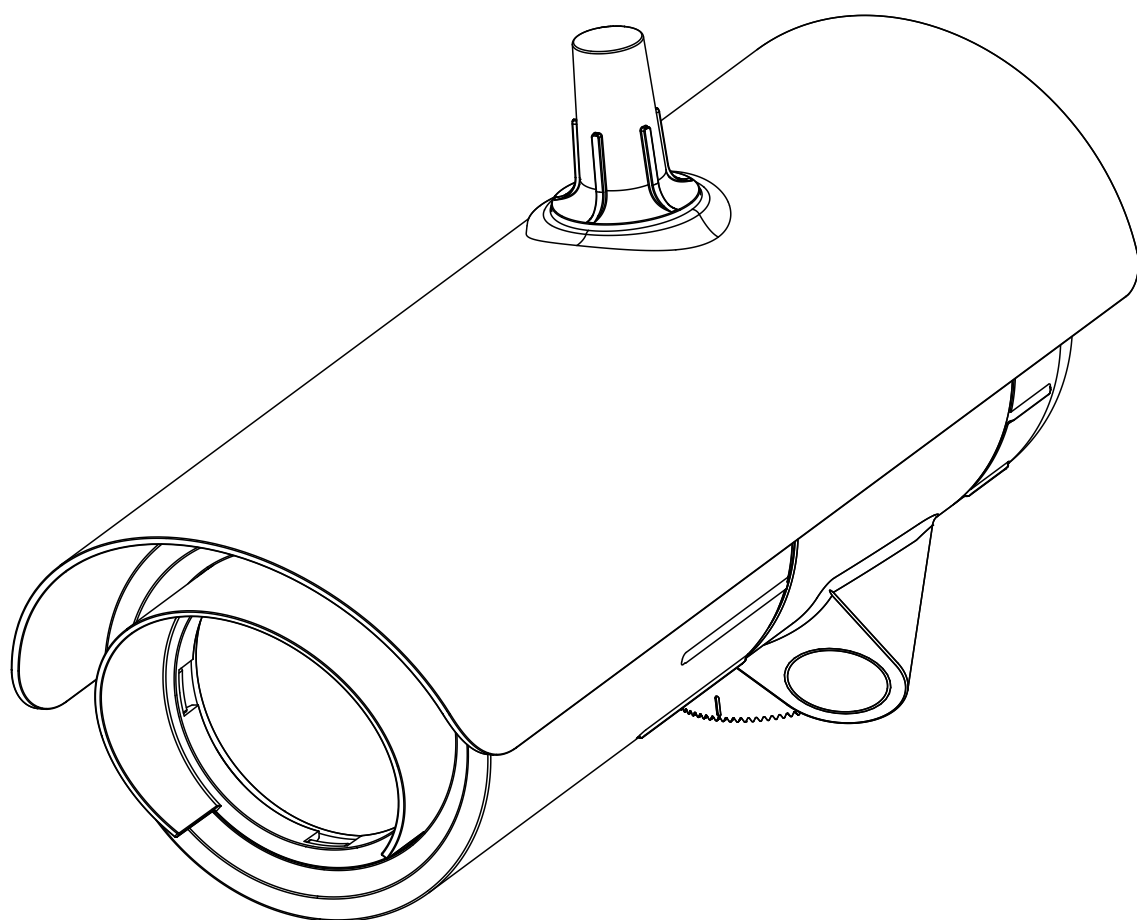


SECURITY GUIDE

SEARCHLINE EXCEL PLUS™ SEARCHLINE EXCEL EDGE™

Open Path Flammable Gas Detector



Honeywell

LEGAL NOTICES

Disclaimer

In no event shall Honeywell be liable for any damages or injury of any nature or kind, no matter how caused, that arise from the use of the equipment referred to in this manual.

Strict compliance with the safety procedures set out and referred to in this manual, and extreme care in the use of the equipment, are essential to avoid or minimise the chance of personal injury or damage to the equipment.

The information, figures, illustrations, tables, specifications, and schematics contained in this manual are believed to be correct and accurate as at the date of publication or revision. However, no representation or warranty with respect to such correctness or accuracy is given or implied and Honeywell will not, under any circumstances, be liable to any person or corporation for any loss or damages incurred in connection with the use of this manual.

The information, figures, illustrations, tables, specifications, and schematics contained in this manual are subject to change without notice.

Unauthorised modifications to the gas detection system or its installation are not permitted, as these may give rise to unacceptable health and safety hazards.

Any software forming part of this equipment should be used only for the purposes for which Honeywell supplied it. The user shall undertake no changes, modifications, conversions, translations into another computer language, or copies (except for a necessary backup copy).

In no event shall Honeywell be liable for any equipment malfunction or damages whatsoever, including (without limitation) incidental, direct, indirect, special, and consequential damages, damages for loss of business profits, business interruption, loss of business information, or other pecuniary loss, resulting from any violation of the above prohibitions.

Warranty

Honeywell Analytics warrants the Searchline Excel Plus and Searchline Excel Edge Open Path Flammable Hydrocarbon Gas Detector transmitter and receiver components, except software and software components, for 5 years against defective materials and faulty workmanship. The software and software components, including any documentation designated for use with such software or software components, are provided "AS IS" and with potential defects.

This warranty does not cover consumable items, batteries, fuses, normal wear and tear, or damage caused by accident, abuse, improper installation, unauthorized use, modification or repair, ambient environment, poisons, contaminants or abnormal operating conditions.

This warranty does not apply to sensors or components that are covered under separate warranties, or to any third party cables and components.

In no event shall Honeywell Analytics be liable for any damages or injury of any nature or kind, no matter how caused, that arise from incorrect installation, handling, maintenance, cleaning or use of this equipment.

In no event shall Honeywell Analytics be liable for any equipment malfunction or damages whatsoever, including (without limitation) incidental, direct, indirect, special, and consequential damages, damages for loss of business profits, business interruption, loss of business information, or other pecuniary loss, resulting from the incorrect installation, handling, maintenance, cleaning or use of this equipment.

Any claim under the Honeywell Analytics Product Warranty must be made within the warranty period and as soon as reasonably practicable after a defect is discovered. Please contact your local Honeywell Analytics Service representative to register your claim.

This is a summary. For full warranty terms please refer to the **Honeywell General Statement of Limited Product Warranty**, which is available on request.

Copyright Notice

Bluetooth®, Android™, HART® and MODBUS® are registered trademarks.

Other brand and product names mentioned in this manual may be trademarks or registered trademarks of their respective companies and are the sole property of their respective holders.

Honeywell is the registered trademark of Honeywell International Inc.

The Searchline Excel Plus & Edge™ is a registered trademark of Honeywell.

Find out more at www.sps.honeywell.com

1 Introduction

This guide has been designed for use by operators and engineering personnel of customers who utilize the Searchline Excel Plus & Edge system.

It is intended for use when planning the configuration and maintenance of the network infrastructure in which the Searchline Excel Plus & Edge system exists.

It provides information supporting identification and mitigation of security risks associated with the day to day use of the system in connected IT infrastructures.

1.1 Scope

This document applies to the Searchline Excel Plus & Edge system, to associated mobile application and device, and to wireless data transfer.

1.2 Revision history

Revision	Comment	Date
Issue 1	ECO A05530	September 2021

1.3 Assumptions and pre-requisites

This guide assumes a high degree of technical knowledge and familiarity with:

- Management through mobile application
- Networking systems and concepts
- Security issues and concepts

1.4 Related documents

This guide should be read in conjunction with the following documents:

Document	Part Number
Searchline Excel Plus & Edge Technical Manual	2017M1220

1.5 Security controls

Searchline Excel Plus & Edge system has a number of built in security controls. These include:

- Limitation of access to designated users
- Password protection of user accounts
- Device certificate
- User certificate

1.5.1 Additional user control

This guide focuses on additional security controls that should be implemented by users.

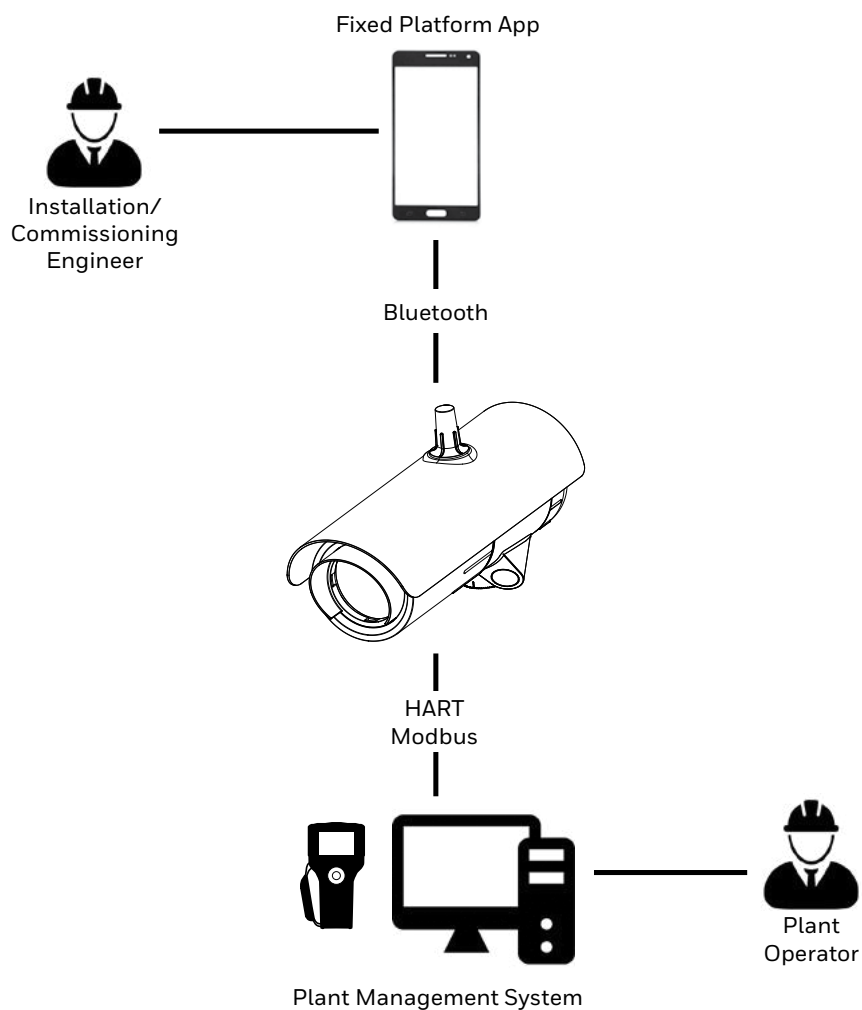
1.5.2 Further information

Contact your Honeywell representative if you need more information on securing the Searchline Excel Plus & Edge system.

2 IT System architecture

Searchline Excel Plus & Edge can be configured using Bluetooth connection, HART or MODBUS communications.

See the communications diagram below.



2.1 Wireless connections

The Searchline Excel Plus & Edge utilizes Bluetooth wireless connection, single user permitted.

2.2 Physical and local connections

The Searchline Excel Plus & Edge utilizes HART and MODBUS communications.

3 Threats

Security threats applicable to networked systems include:

- Unauthorised access
- Communications snooping
- Viruses and other malicious software agents

3.1 Unauthorized access

This threat includes physical access to Searchline Excel Plus & Edge and intrusion into the network to which the Searchline Excel Plus & Edge system is connected, from the business network.

Unauthorized external access can result in:

- Loss of system availability
- Incorrect execution of controls causing damage to the facility, incorrect operation, or spurious alarms
- Theft or damage of its contents
- The capture, modification, or deletion of data
- Loss of reputation if the external access becomes public knowledge

Unauthorised access to the system can result from:

- Lack of security of user name and password credentials
- Uncontrolled access to the detector
- Uncontrolled access to the network and network traffic

Communications snooping

This threat includes snooping on or tampering with Bluetooth port while the port is enabled, by means of man-in-the-middle, packet replay or similar methods.

Tampering with the communication link can result in:

- Loss of system availability
- Incorrect configuration and so incorrect execution of the Searchline Excel Plus & Edge safety function
- The capture, modification, or deletion of data

The configuration port is open when Searchline Excel Plus & Edge unit is in use. The configuration port can only be opened by users having wireless access to the controller and suitable login credentials. The configuration port is time limited and cannot be left open when not in use.

3.2 Viruses and other malicious software agents

This threat encompasses malicious software agents such as viruses, spyware (trojans), and worms. These may be present:

- On a mobile device which is used for setup and configuration
- If the connected mobile device's software has been changed to enable capabilities that might not otherwise be present (rooted).

The intrusion of malicious software agents can result in:

- Performance degradation
- Loss of system availability
- Capture, modification, or deletion of data, including configuration data and device logs

Viruses can be transmitted by media such as USB memory devices and SD cards, from other infected systems on the network, and from infected or malicious Internet sites.

4 Mitigation strategies

The following mitigation strategies should be followed.

4.1 Searchline Excel Plus & Edge system

4.1.1 Monitor system access

In addition to the security controls, Searchline Excel Plus & Edge has the following facility which can be used to identify unexpected configuration changes:

- Event History and Log

All user logins and system operations are recorded in the event log and may be viewed on the event history screen or by generating an event report. Use the Searchline Excel Plus & Edge Mobile App to access Event History and Log.

The above should be routinely monitored and verified as part of system maintenance.

4.1.2 User access and passwords

Searchline Excel Plus & Edge recognizes only one level of users. Users have unique usernames and passwords.

Each device is PIN protected. Observe the following good practice:

- Ensure physical security of passwords. Avoid writing user names and passwords where they can be seen by unauthorised personnel.
- Create a separate user name and password for each user. Avoid sharing of user names and passwords among multiple users.
- Ensure that users only log in using their own credentials.
- Periodically audit user accounts and remove any that are no longer required.
- Ensure that passwords and user credentials are regularly changed.
- Administer user name and password through Searchline Excel Plus & Edge Mobile App.

4.1.3 Software and unusual operation

If Searchline Excel Plus & Edge Mobile App becomes unresponsive, shut it down and relaunch.

4.1.4 Memory media

Observe the following good practice when using mobile device equipped with removable SD card:

- Use only authorized removable media that has been scanned and checked for viruses and malware using up-to-date anti-virus software.
- Ensure that memory media used is not used for other purposes, to avoid risk of infection.
- Control access to media containing backups, to avoid risk of tampering.

4.2 Access

Good security practices should be observed on devices to which Searchline Excel Plus & Edge may be connected. See below.

4.2.1 Operating Software

Operating systems and browsers should be kept up to date by installing the manufacturer's updates.

4.2.2 User Access and Passwords

Good password security practices should be followed.

- Require the use of strong passwords and user account controls.
- Ensure physical security of passwords. Avoid writing user names and passwords where they can be seen by unauthorised personnel. Searchline Excel Plus & Edge Mobile Application should not be left unattended when a configuration session is open. Access should be restricted to authorised users.

4.2.3 Synch with server

Searchline Excel Plus & Edge Mobile Application shall be connected to server at least once a year to refresh the detector certificate registration.

4.2.4 Access PIN, Activation Key

Prior to using Searchline Excel Plus & Edge Mobile App you will receive Access PIN and Activation Key. Basic security measures should be taken.

- Do not share Access PIN or Activation Key with unauthorized personnel.
- Do not write down or record Access PIN or Activation Key.

Find out more

www.sps.honeywell.com

Contact Honeywell Analytics:

Europe, Middle East, Africa

Life Safety Distribution GmbH

Tel: 00800 333 222 44 (Freephone no.)

Tel: +41 (0)44 943 4380 (Alternative no.)

Middle East Tel: +971 4 450 5800 (Fixed Gas Detection)

Middle East Tel: +971 4 450 5852 (Portable Gas Detection)

gasdetection@honeywell.com

Americas

Honeywell Analytics Distribution Inc.

Tel: +1 847 955 8200

Toll free: +1 800 538 0363

detectgas@honeywell.com

Asia Pacific

Honeywell Analytics Asia Pacific

Tel: +82 (0) 2 6909 0300

India Tel: +91 124 4752700

China Tel: +86 10 5885 8788-3000

analytics.ap@honeywell.com

Technical Services

EMEA: HAexpert@honeywell.com

US: ha.us.service@honeywell.com

AP: ha.ap.service@honeywell.com

www.sps.honeywell.com



Please Note:

While every effort has been made to ensure accuracy in this publication, no responsibility can be accepted for errors or omissions. Data may change, as well as legislation and you are strongly advised to obtain copies of the most recently issued regulations, standards and guidelines. This publication is not intended to form the basis of a contract.

09/2021

2017M1250 Issue 1 A05530

© 2021 Honeywell Analytics