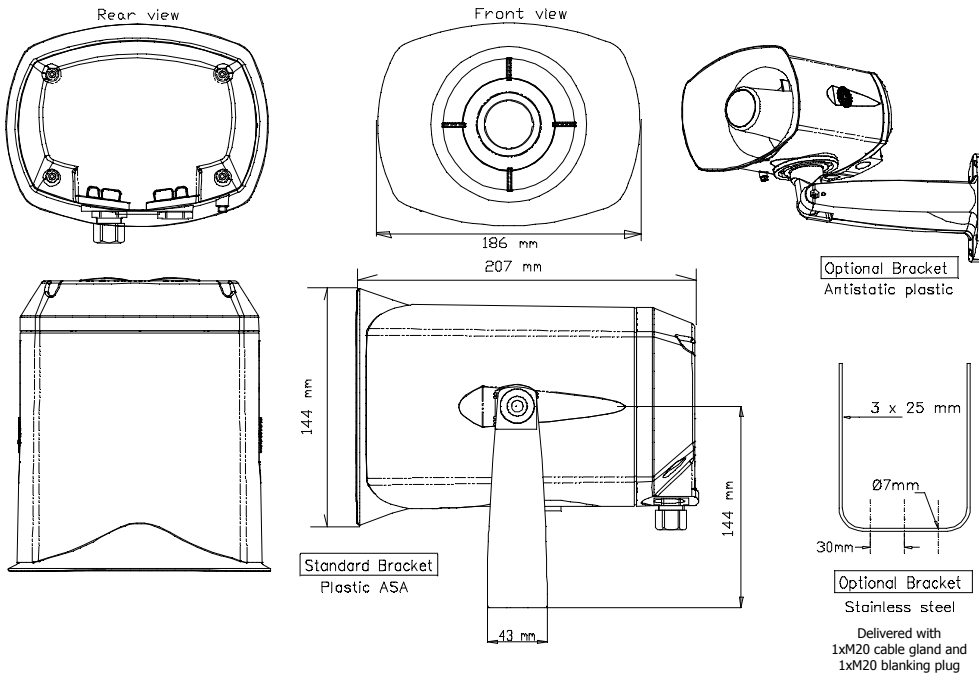





# DNH

## DSP-15-54 (T)

ISO 9001 CERTIFIED



Tested acc. To EN54-24  
 Type: B   
 Manufactured by DNH A/S  
 Kragerø, Norway

T-48 transformer max 15W	
C : 1	15,0 W, Imp. 770 Ω
C : 2	7,5 W, Imp. 1250 Ω
C : 3	4,0 W, Imp. 1667 Ω
C : 4	2,0 W, Imp. 2500 Ω

Sensitivity 315Hz-10KHz 1/3 Oct. Pink noise 1W/4 Meters		
315Hz: 50 dB	400Hz: 61 dB	500Hz: 67 dB
630Hz: 72 dB	800Hz: 76 dB	1KHz: 78 dB
1250Hz: 78 dB	1600Hz: 78 dB	2KHz: 79 dB
2500Hz: 79 dB	3150Hz: 79 dB	4KHz: 76 dB
5KHz: 73 dB	6300Hz: 77 dB	8KHz: 76 dB
10KHz: 70 dB		

Specifications	
Material / Color	Ronfalin / RAL 7035
Mounting	Bracket
Termination	Screw terminals
Weight w/transformer	1,8 kg
IP-rating	Minimum 33
Max. / min. amb. temp	90°C / -40°C
Rated / max. power	15 W

Horizontal / vertical coverage angles		
1 Oct. Pink noise	500Hz	190°
1 Oct. Pink noise	1KHz	125°
1 Oct. Pink noise	2KHz	67°
1 Oct. Pink noise	4KHz	44°

Maximum SPL at 15W/4M are the SPL values at 1W/4M increased with 11dB for every 1/3 octave pink noise level.

### Installation, Operation and Maintenance Procedures

- Remove lid by four screws, lead cable through the cable gland and connect to terminal.
- Select required tapping on the transformer.
- Screw lid back into place by four screws with a torque of 1,3 – 1,8 Nm to assure the IP rating.
- To change the position of the loudspeaker, please adjust the standard U- bracket (by loosening / tightening the screws) as required.
- DSP-15(T) can be supplied with three different bracket systems, according to customer requirements.
- For optimum performance, always use the correct voltage / power and operate within the frequency limits as stated.
- Do **not** open loudspeaker when energized.
- This loudspeaker is supplied with a two years warranty against defective workmanship.

DNH reserves the right to alter specifications without notice

