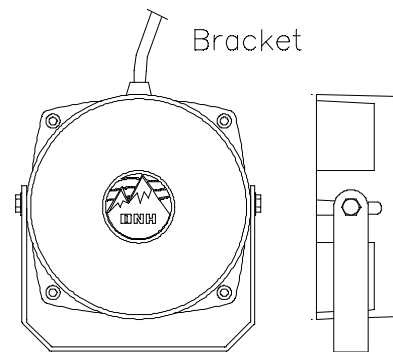
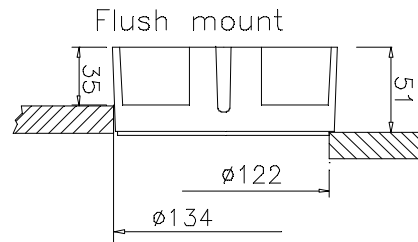
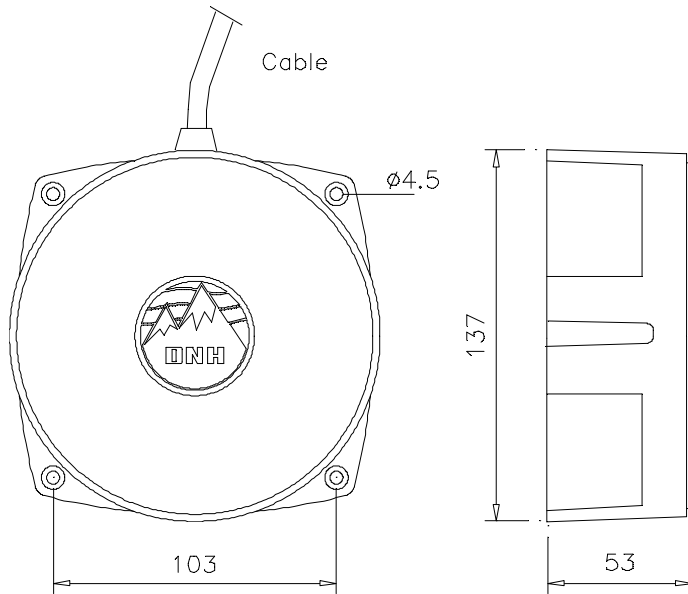




# DNH

## CR-6(T)

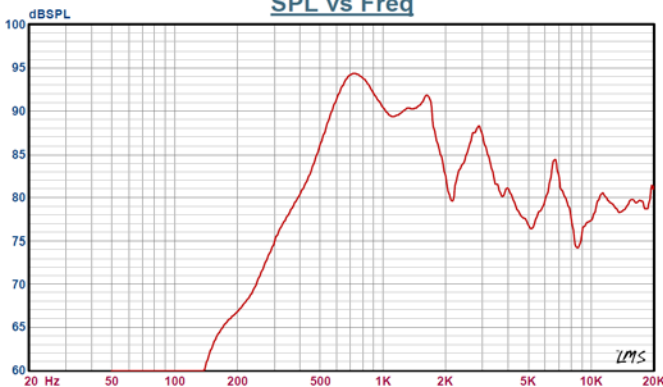
ISO 9001 CERTIFIED



| 100 V transformer<br>Primary tapings |       |
|--------------------------------------|-------|
| Red : Yellow                         | 6 W   |
| Red : Green                          | 3 W   |
| Red : Blue                           | 1,5 W |

| 8Ω version |  |
|------------|--|
| Red : Blue |  |

Sound pressure levels at 1W/1m  
SPL vs Freq



Specifications

|                               |                            |
|-------------------------------|----------------------------|
| Material / Color              | PA / RAL 9010              |
| Mounting                      | 4 screws or bracket        |
| Termination                   | Cable, 1 m                 |
| Weight w/transformer          | 2,2 kg                     |
| IP-rating                     | 67                         |
| Max. / min. amb. temp         | 90°C / -20°C               |
| Rated / max. power            | 6 W / 30 W                 |
| SPL 1W/1m                     | 85 dB                      |
| SPL rated power               | 93 dB                      |
| Effective freq. range         | 280 – 20000 Hz             |
| Dispersion (-6dB) 1kHz / 4kHz | 180° / 130°                |
| Directivity factor, Q         |                            |
| Options                       | Impedances, colors, labels |

### Installation, Operation and Maintenance Procedures

- Use 4 screws for mounting on wall, alternative flush mounting.
- When mounting with bracket, use the slit on each side to connect the bracket to the loudspeaker.
- CR-6 (T) is designed for clean room applications.
- Do not install this loudspeaker under water when operated with 100V line.
- For optimum performance, always use the correct voltage / power and operate within the frequency limits as stated.
- Do not open loudspeaker when energized.
- This loudspeaker is supplied with a 2 year warranty against defective workmanship.

DNH reserves the right to alter specifications without notice

