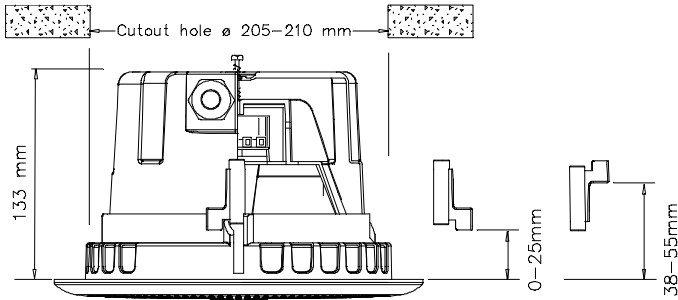




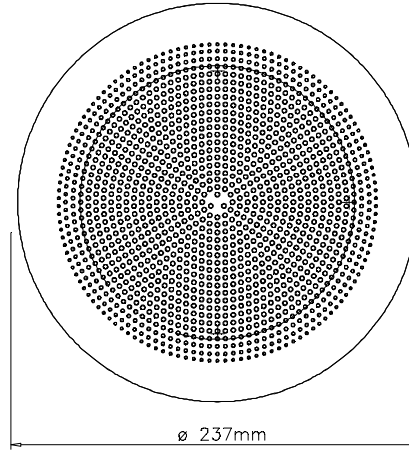
DNH

BPF-660(T)

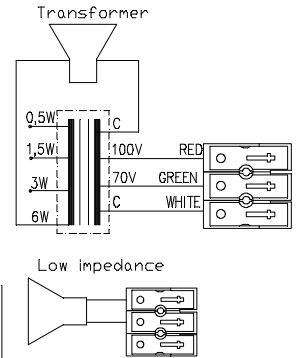
ISO 9001 CERTIFIED



M20 cable gland and M20 blinding plug



CIRCUIT DIAGRAM



70/100 Volt combined transformer	
Primary connections	
White : Green	70 V
White : Red	100 V
Secondary nominal tapings	
C : 6W	6,0 W
C : 3W	3,0 W
C : 1,5W	1,5 W
C : 0,5W	0,5 W

Sound pressure levels at 1W/1m P-6/15B

SPL vs Freq



Specifications

Material / Color	PA-6 V0/ ABS / RAL9010
Mounting	Hooks
Termination	Spring clamps
Weight w/transformer	1,3 kg
IP-rating	54
Max. / min. amb. temp	90°C / -20°C
Rated / max. power	6 W / 20 W
SPL 1W/1m	93 dB
SPL rated power	100 dB
Effective freq. range	170 – 20000 Hz
Dispersion (-6dB) 1kHz / 4kHz	
Directivity factor, Q	
Options	Impedances, colors, labels

Installation, Operation and Maintenance Procedures

- Install the ring into the cut-out hole turning the crews connected to the three hooks, screw clockwise until the ring is fixed to the ceiling.
- Open box by one screw, lead cable through cable gland, connect to terminal (70V or 100V) and select required tapping on transformer.
- Screw box back into place with one screw.
- Turn the grill gently clockwise within the ring until it stops.
- Hooks can be mounted both ways, see drawing at top of the page.
- For optimum performance, always use the correct voltage / power and operate within the frequency limits as stated.
- Do not open loudspeaker when energized.
- This loudspeaker is supplied with a 2 year warranty against defective workmanship.

DNH reserves the right to alter specifications without notice

