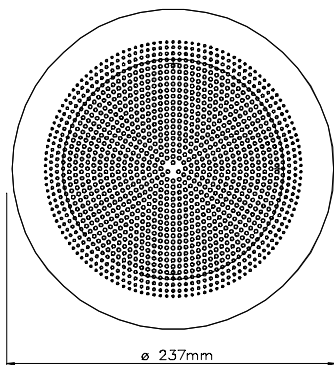
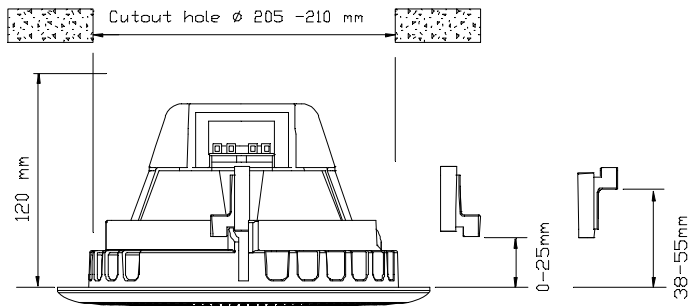




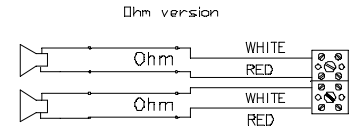
DNH

BP-660(T) A+B

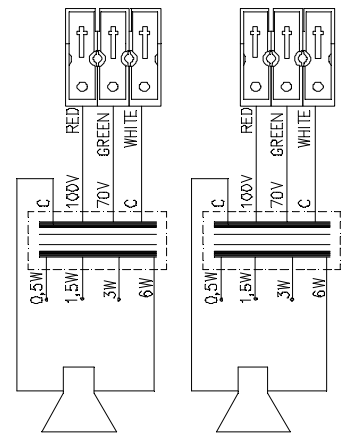
ISO 9001 CERTIFIED



CIRCUIT DIAGRAM



Transformer version



70/100 Volt combined transformer Primary connections

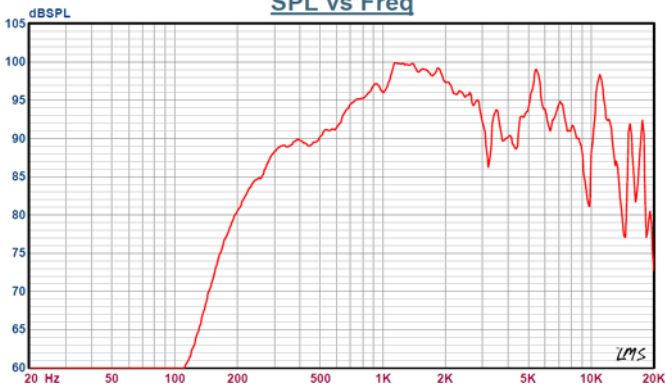
White : Green	70 V
White : Red	100 V

Secondary nominal tapings

C : 6,0W	6,0 W
C : 3,0W	3,0 W
C : 1,5W	1,5 W
C : 0,5W	0,5 W

Sound pressure levels at 1W/1m A + B system

SPL vs Freq



Specifications

Material / Color	PA / ABS / RAL9010
Mounting	Hooks
Termination	Spring Clamp
Weight w/transformer	1,1 kg
IP-rating	
Max. / min. amb. temp	90°C / -20°C
Rated / max. power	6 W / 2x6 W
SPL 1W/1m	93 dB / 96 dB
SPL rated power	99 dB / 102 dB
Effective freq. range	240 – 15000 Hz
Dispersion (-6dB) 1kHz / 4kHz	91° / 62°
Directivity factor, Q 1kHz	4
Options	Impedances, colors, labels

Installation, Operation and Maintenance Procedures

- Two separate loudspeakers, two transformers and two terminals (A + B system).
- A + B system should be connected the same way so that systems are in phase.
- Install the ring into the cut-out hole turning the screws connected to the three hooks, screw clockwise until the ring is fixed to the ceiling.
- Connect cable to terminal 70V or 100V
- Turn the grille gently clockwise within the ring until it stops.
- Hooks can be mounted both ways, see drawing at the top of the page.
- For optimum performance, always use the correct voltage / power and operate within the frequency limits as stated.
- Do not open loudspeaker when energized.
- This loudspeaker is supplied with a 2 year warranty against defective workmanship.

DNH reserves the right to alter specifications without notice

