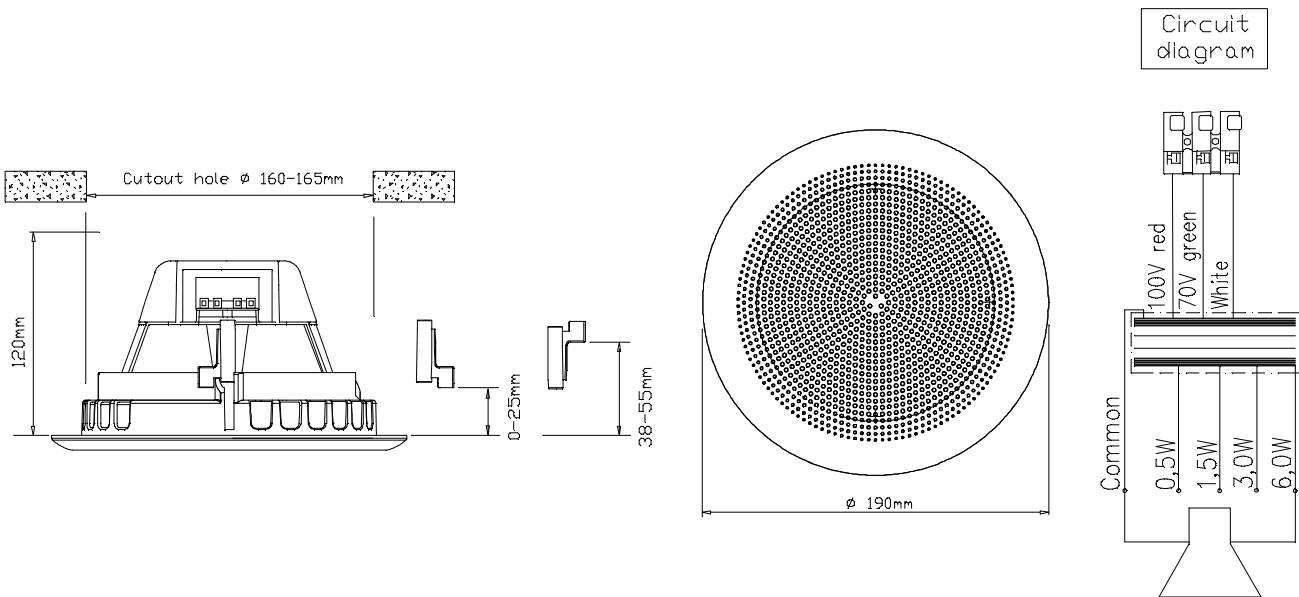




# DNH

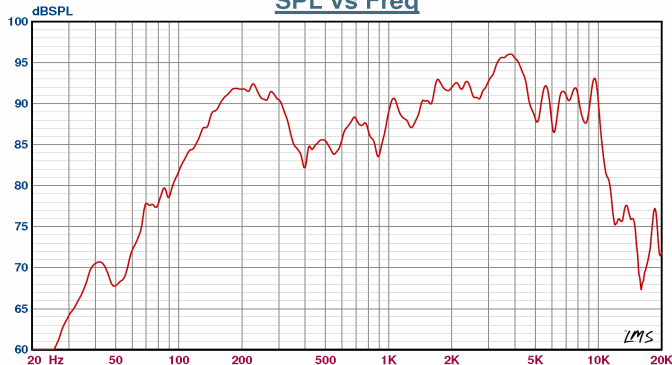
## BP-560CR(T)

ISO 9001 CERTIFIED



### Sound pressure levels at 1W/1m

#### SPL vs Freq



### Specifications

Material / Color	PA ABS / RAL9010
Mounting	Hooks
Termination	Spring clamp
Weight w/transformer	0,73 kg
IP-rating	NA
Max. / min. amb. temp	90°C / -20°C
Rated / max. power	6 W / 10 W
SPL 1W/1m	88 dB
SPL rated power	95 dB
Effective freq. range	70 – 12000 Hz
Dispersion (-6dB) 1kHz / 4kHz	170° / 60°
Options	Impedances, colors, labels

### Installation, Operation and Maintenance Procedures

- Install ring into the cutout hole, firm the screws connected to the three hooks clockwise until the ring is fixed to the ceiling.
- Hooks can be mounted both ways to fit the thickness of the roof, see drawing at top of the page.
- Connect cable to terminal 70V (white – green) or 100V (white – red).
- Turn the grill gently clockwise within the ring until it stops.
- BP-560CR(T) is designed for clean room applications.
- For optimum performance, always use the correct voltage / power and operate within the frequency limits as stated.
- Do not open loudspeaker when energized.
- This loudspeaker is supplied with a 2 year warranty against defective workmanship.

DNH reserves the right to alter specifications without notice

