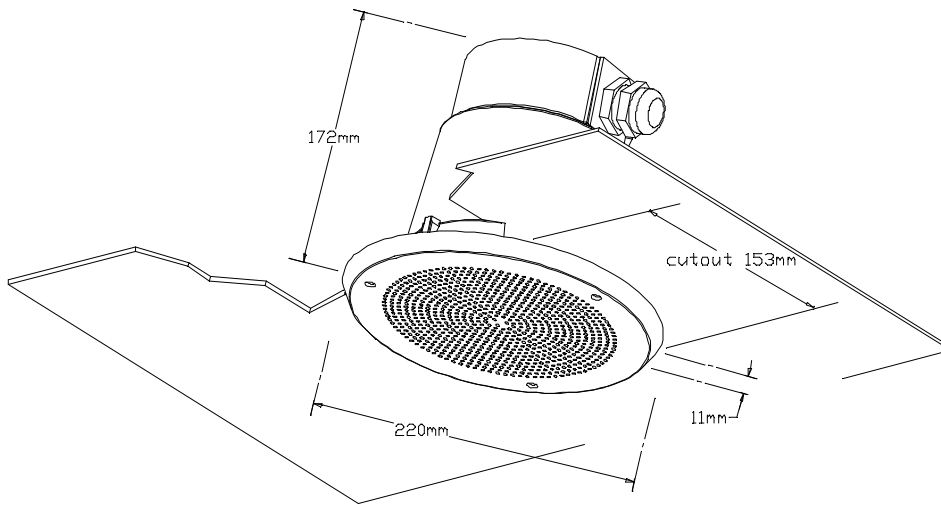




DNH

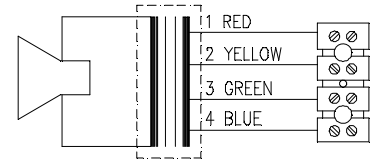
BA-56EExeN(T)

ISO 9001 CERTIFIED

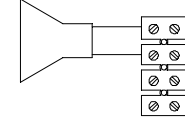


Standard model delivered with two M20
Ex approved plastic blinding plugs

CIRCUIT DIAGRAM
TRANSFORMER



CIRCUIT DIAGRAM
LOW IMPEDANCE LINE



100V transformer
Primary
nominal tapings

1 : 2	6,0 W
2 : 3	3,0 W
3 : 4	1,5 W
1 : 3	1,0 W
2 : 4	0,5 W
1 : 4	0,3 W

Certified by/ Certification code / Number : NEMKO / Ex de IIB+H2 T6 Gb / 10ATEX1050

SPL at 1W/1m Sine wave
SPL vs Freq



Specifications

Material / Color	Aluminum / RAL 9010
Mounting	3 screws
Termination	e-chamber, screw terminals
Weight w/transformer	3,0
IP-rating	54
Max. / min. amb. temp	50°C / -20°C
Rated / max. power	6 W / 6 W
SPL 1W/1m	88 dB
SPL rated power	95 dB
Effective freq. range	160 – 15000 Hz
Dispersion (-6dB) 1kHz / 4kHz	120° / 55°
Directivity factor, Q(2kHz)	
Options	Impedance, colors, labels

Installation, Operation and Maintenance Procedures

- Open the e-chamber by loosening the screws on the lid
- Lead cable through cable gland and connect to screw terminal according required tapping.
- If earthing, use the specially marked screws.
- Fasten lid screws with a torque of 2-3 Nm to assure the IP rating.
- Secure the loudspeaker to ceiling or wall by three screws (not enclosed).
- Mount the grill to the speaker with three screws (enclosed).
- For optimum performance, always use the correct voltage / power and operate within the frequency limits as stated.
- Use only certified / specified cable glands and blanking plugs.
- Standard model delivered with two M20 Ex approved plastic blinding plugs.
- Do not open the loudspeaker when energized.
- This loudspeaker is supplied with a two years warranty against defective workmanship.

DNH reserves the right to alter specifications without notice

