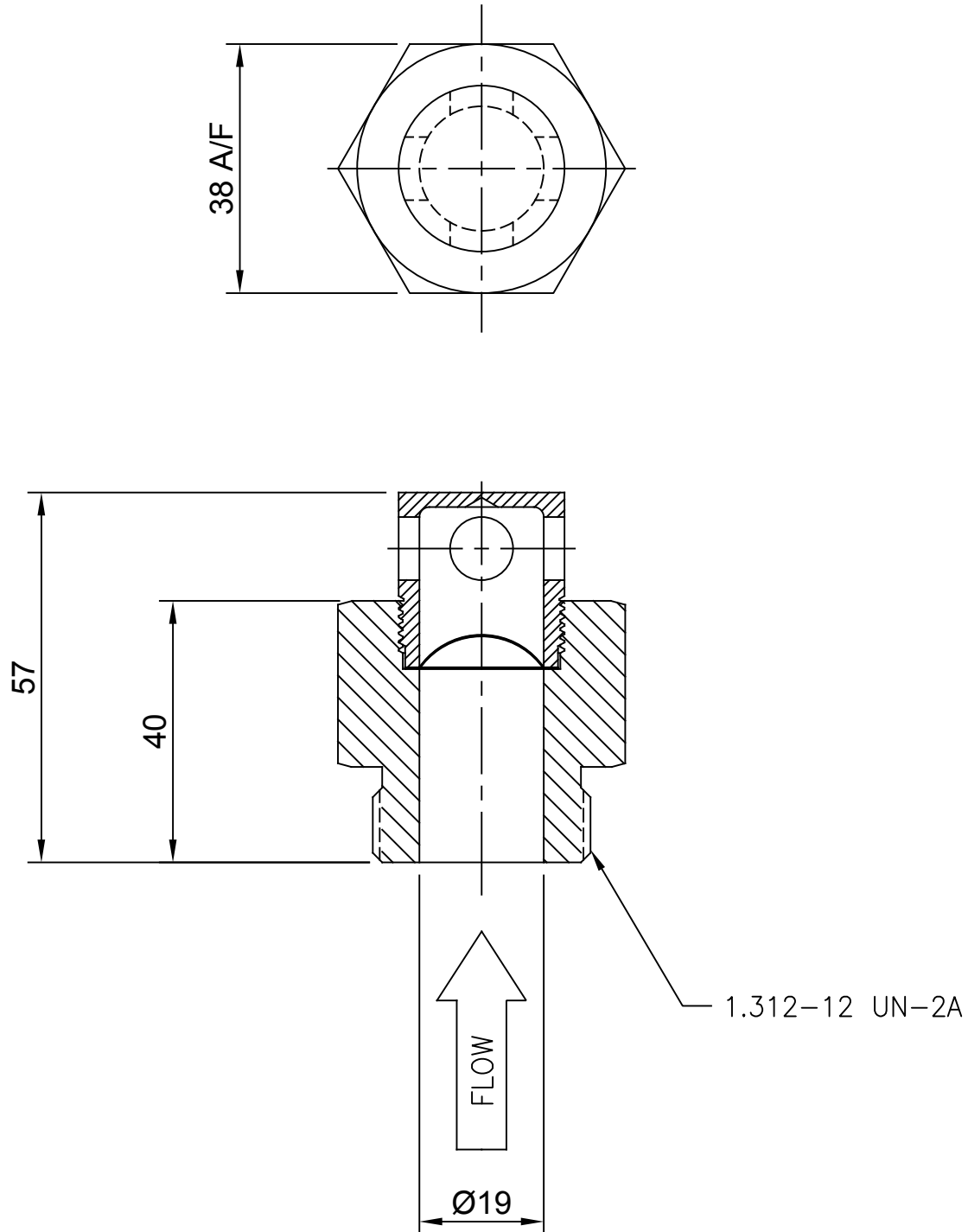


Drawn / Date	App. by / Date	Date of issue	Rev.	DCN
TF 12/10/18	MS 12/10/18	12/10/18	A	18-078



NOTES:

1. BURST PRESSURE: 47-52 BARG (681-754 PSIG) @ 22°C
2. HOUSING MATERIAL BRASS
3. BURST DISC MATERIAL NICKEL
4. FLOW AREA 284 MM²