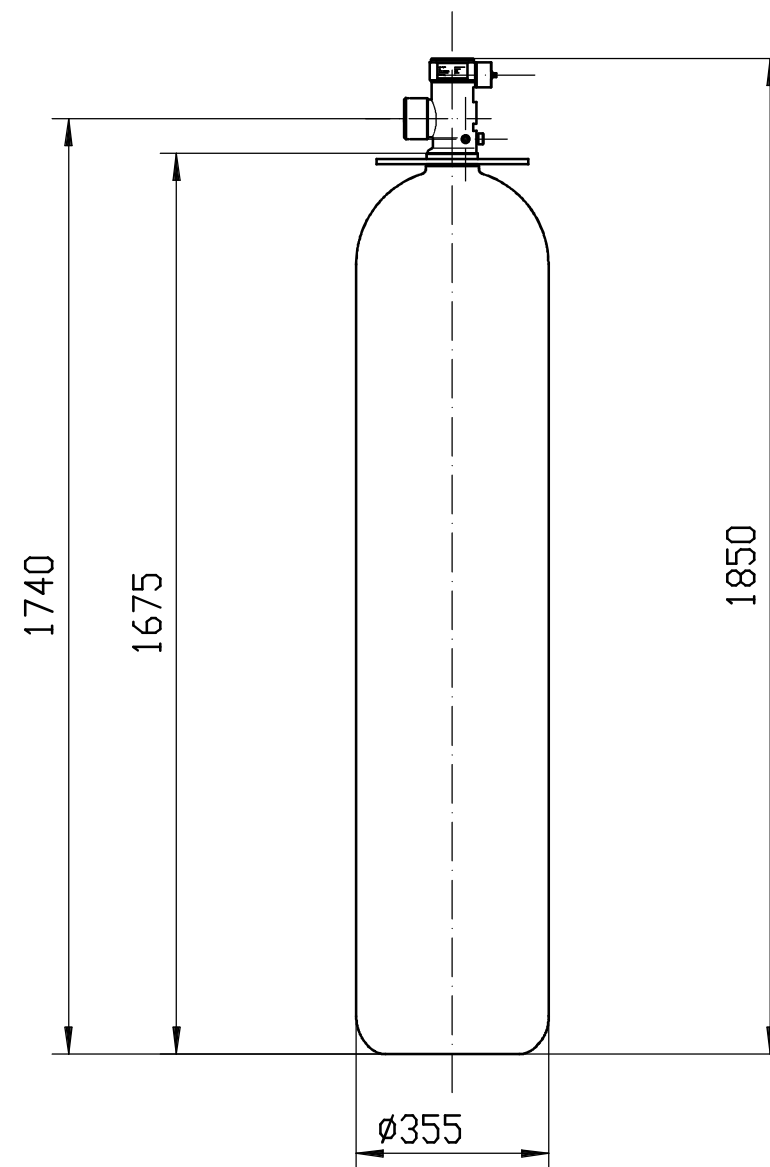
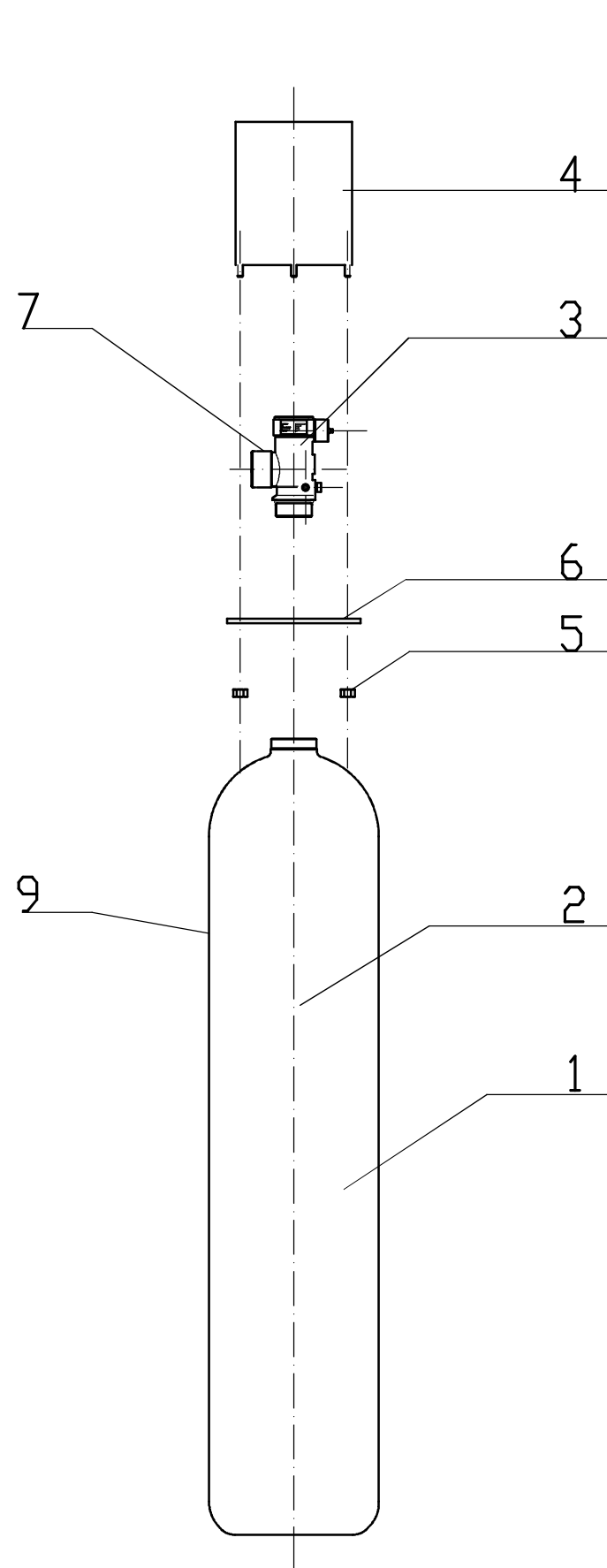


Kidde Products
CONFIDENTIAL



filling quantity / -factor		
min. / kg	max. / kg	filling factor (kg/l)
56,0	147,0	0,4 - 1,05

assembly weight, empty (kg): 129 ± 3
 without cylinder cap (7,0 kg)

cylinder: steel, red RAL 3000 painted
 glossy

1	2	3	4	5	6
Pos	Qty.	Unit	description	part number	note
1	1	pcs.	cylinder 140 l	22-31503-140	
2	1	pcs.	syphon tube for 140 l cylinder	22-37882-140	
3	1	pcs.	valve 2"; 42 bar	22-37871-350	
4	1	pcs.	cylinder cap complete	22-37870-181	
5	4	pcs.	hex.-nut DIN 934 M12-8-A2E	22-52450-124	
6	1	pcs.	neck ring for 2" valve	22-37870-120	
7	1	pcs.	stick	22-37870-244	
8	n. B.	kg	gas Novec 1230	22-42969-013	
9	1	pcs.	label	22-51910-835	

extinguishant: Novec 1230		GENERAL TOLERANCES TO ISO 2768-mK	WE RESERVE ALL RIGHTS FOR THIS DRAWING (DIN 34) KIDDE-DEUGRA	SCALE: 1:1	A3	KA4NEQ9R
		DATE	NAME	<DESCRIPTION>		
		DRN. 28.05.03	Kacar	KD-1230-cylinder 140 l, cpl 42 bar, seamless		
		CKD. 28.05.03	W. Krieger			
		CKD.				
d	VdS min.	04.10.04	EKA	STD.		
c	Modellwechsel	19.05.04	EKA	<DRG. No.>		
b	H:henma?e	05.03.04	EKA	22-27222-140		
a	Typenschild	25.08.03	FRK			
ISSUE CHANGE		DATE	NAME	WEIGHT:		SHEET
						2
						2



sales@norrscope.com