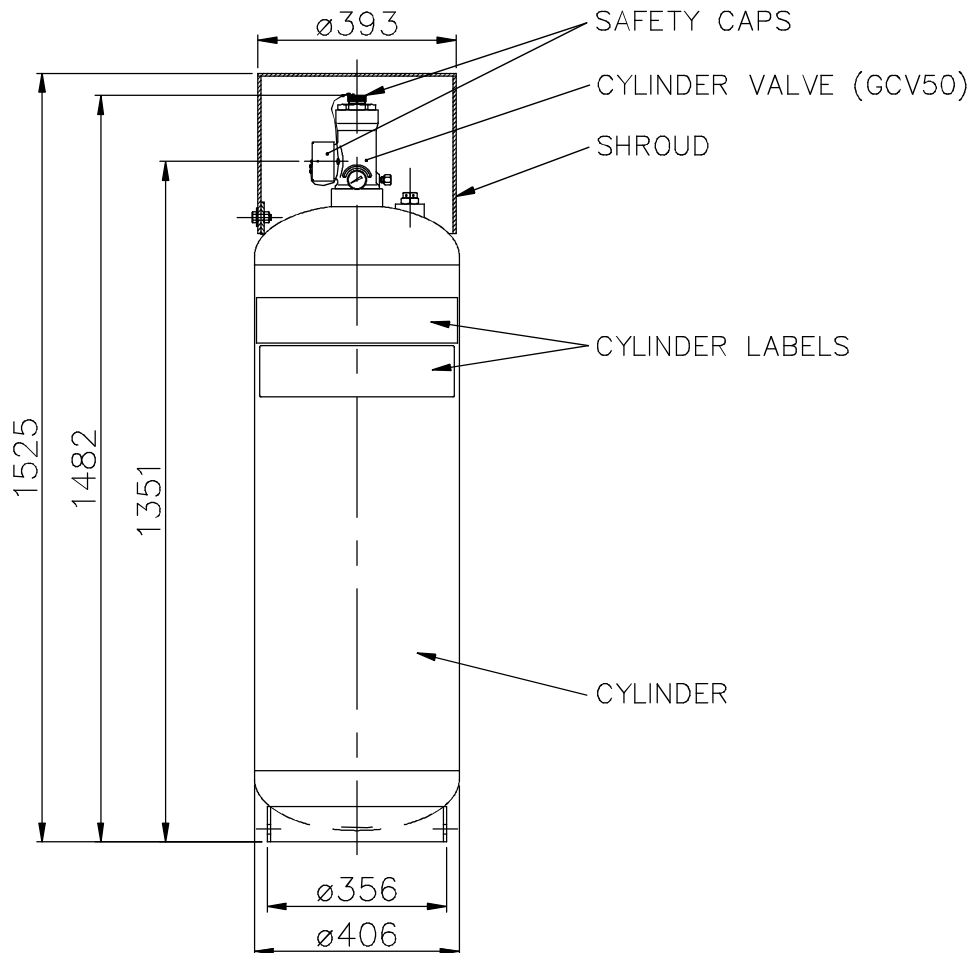


PART No	DESCRIPTION
E7763-108-01-EU	STD
E7763-109-01-EU	W/LLI

PLAN VIEW



NOTES:

1. THE SAFETY CAP MUST BE INSTALLED ON THE VALVE OUTLET AT ALL TIMES EXCEPT WHEN THE CYLINDERS ARE CONNECTED TO THE SYSTEM PIPING OR ARE BEING FILLED. THE SAFETY CAP MUST NOT BE REMOVED FROM ITS CHAIN.

2. π MARKED IN ACCORDANCE WITH 99/36/EC (TPED)

MATERIAL:

VALVE BODY: BRASS

CYLINDER: STEEL, PAINTED RED
(FS 595 11105 FLAG RED)

APPROXIMATE WEIGHT: 97kg EXC' SHROUD



ALL DIMENSIONS IN mm's UNLESS OTHERWISE STATED

8	13.07.12	WEIGHTS UPDATED DCN12-041	MS
7	2.08.10	UL MARK ADDED DCN10-037	MS
6	4.02.05	WEIGHT AMENDED	DS
5	17.12.04	NOTE ADDED	DD
REV	DATE	REASON FOR ISSUE	APP

Kidde Fire Protection
Thame Park Road,
Thame,
Oxfordshire, OX9 3RT

GX20
SYSTEMS

DESCRIPTION
CYLINDER AND VALVE
ASSEMBLY 142 ltr

PART NO: E7763-108-01-EU & 109-01-EU