



DF-TV7-V

Multi-spectrum UV/2IR Flame Detector



TLU Wireless (IR)
Hand-held Terminal

Presentation

The MultiFlame DF-TV7-V is a combined ultraviolet /infrared flame detector offering excellent flame detection whilst maintaining outstanding false alarm immunity.

The device offers a wide range of output options, as standard and is suitable for use in SIL 2 applications, the unit may be

interfaced directly with a wide range of fire panels, controllers and PLC's etc.

The unit is fully configurable using a wireless handheld terminal (TLU600) or optionally via HART (TM) giving true

flexibility to the installer. Time delays, sensitivity and output configuration are all set up via the TLU; a hazardous area approved hand-held unit.

Wireless testing of the optical and output circuits are also possible using the TLU.

Features

- Continuous auto-check of optical lens
- Relays, 4-20mA, 0-22mA, Hart outputs
- Long range up to 80m, 260 ft deep
- Wide field of view



DF-TV7-V

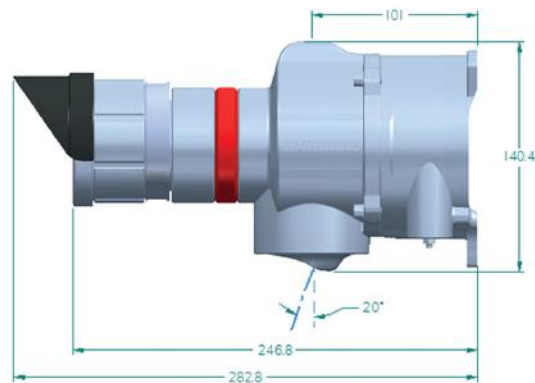
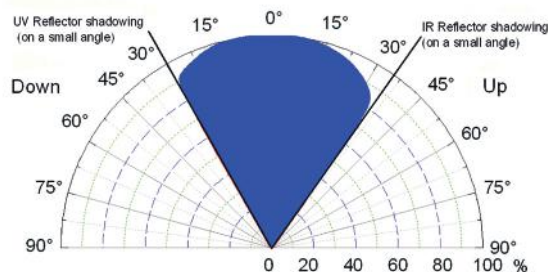
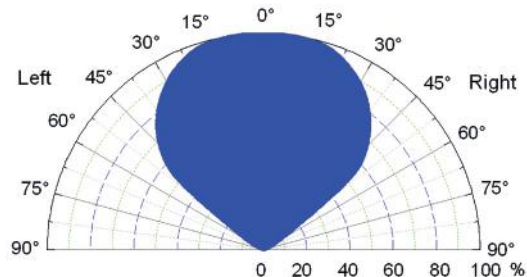
Multi-spectrum UV/2IR Flame Detector

Technical data

General	
Technology	Multi-spectrum ultra violet dual infra red
Fire types	Hydrocarbon fires
Range, n-heptane	45M (147ft) 0.3X0.3M (1 sq ft)
Range, gasoline	35M (114 0ft) 0.3X0.3M (1 sq ft)
Field of view	Horizontal angle @ 50% 97° Vertical angle @ 50% 55°
Response time	Adjustable from 2 to 20 seconds (typical 3.5S.)
Warranty	2 Years, back to factory
Output signal	
Standard	4-20Ma or 0-22ma (configurable by the user) Max. Load impedance 700 (std.) Hart protocol 7th edition (option) Lonworks for syntel (option)
Alarms	2 X configurable relays max 1a / 30vcc
Visual	Normal operating, alarm, fault
Electrical	
Power supply	24 Vdc, range (18 - 28 vdc)
Power consumption	2W normal, 4w during test
Connection	0.3 Mm2 (22 awg) - 1.5 Mm2 (16 awg) Shielded cable recommended
Environmental	
Storage:	De -40°c à +70°c
Operation	-40°c to +65°c (-40°f to 149°f)
Option	Sunshade, max. Temp. 85°c (185°f)
Humidity	99% Rh (non-condensing)
Ingress	IP66
RFI /EMI	Complies with en50130-4
Explosion proof housing	
TLU600	316 L stainless steel
Weight	5KG (10 LBS)
Dimensions	246.8 X 140.4 X 115 mm (l, h, w) 9.8 X 5.5 X 4.5 Inches

Approvals

SIL	SIL2 approval without redundancy IEC 61 508-1 to 7
ATEX	II 2 G Ex d IIC T6 Gb (-40°C to +65°C)
IECEX	IEC 60079-0 / IEC 60079-1
CE DPC	EN 54-10:2002 + A1:2005



Accessories

TLU600	Infrared remote control unit, ATEX certified : II 1 G Ex ia IIC T4
LT15	Test lamp, ATEX certified : II 2 G Ex d IIC T6-T5
AS048-X	SS316 swivel bracket (with 2" or 2.5" pipe mounting)
AS056-450	Sun shade
AS040	Long type visor (vertical upper angle reduction)
AS041	Long type visor (horizontal and vertical angle reduction)
AS045	Air shield
AS215	Tag plate