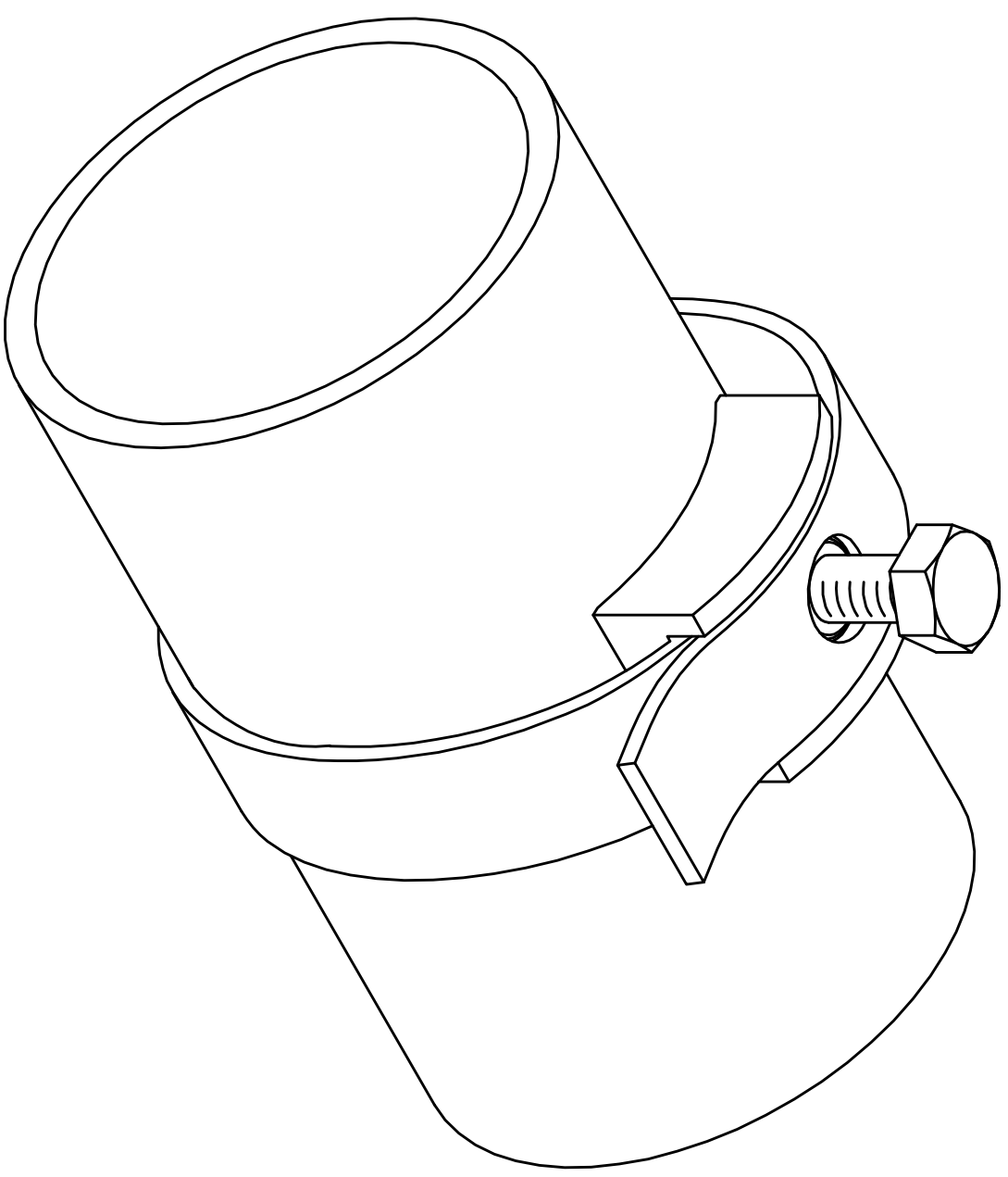
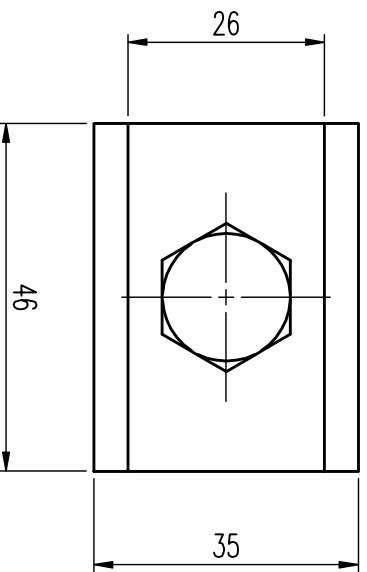
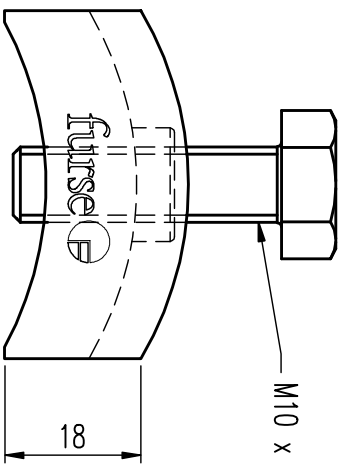
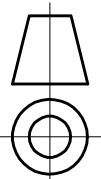


FIRST ANGLE PROJECTION



- NOTES:
1. USED FOR CONNECTION OF 25mm x 3mm COPPER TAPE TO LARGE DIAMETER PIPEWORK.
 2. THE USE OF AN OXIDE INHIBITING COMPOUND ON THE COMPLETED JOINT IS RECOMMENDED.

ISSUE	DATE	DRAWING UPDATED (AUTOCAD)	REVISION	C/NOTE	DRN	APP
7	29.03.99			600	J.B	PW

GENERAL NOTES:
1. All dimensions in mm unless stated otherwise.
W.J.FURSE RESERVE THE RIGHT TO ALTER THE DESIGN OF ANY PRODUCT WITHOUT NOTICE.

furse
W.J. Furse & Co. Ltd.
Wilford Road,
Nottingham.
NG2 1EB.

Tel: 0115 986 3471.
Fax: 0115 986 0538.

Thomas & Bolts

MATERIAL	BODY: GUNMETAL SET SCREW: PHOSPHOR BRONZE
FINISH	SELFCOLOUR

TITLE	WATERMAIN BOND
CAD REF	\\cad\elp\customer\fixtures\ BN120-C
DRG.No.	BN120-C

DATE	29.03.99	DRN	J.B.
SCALE	1:1	CHKD	PW
SHEET	1 OF 1	APP	PW
DEPT	E&LP.	REV	7

