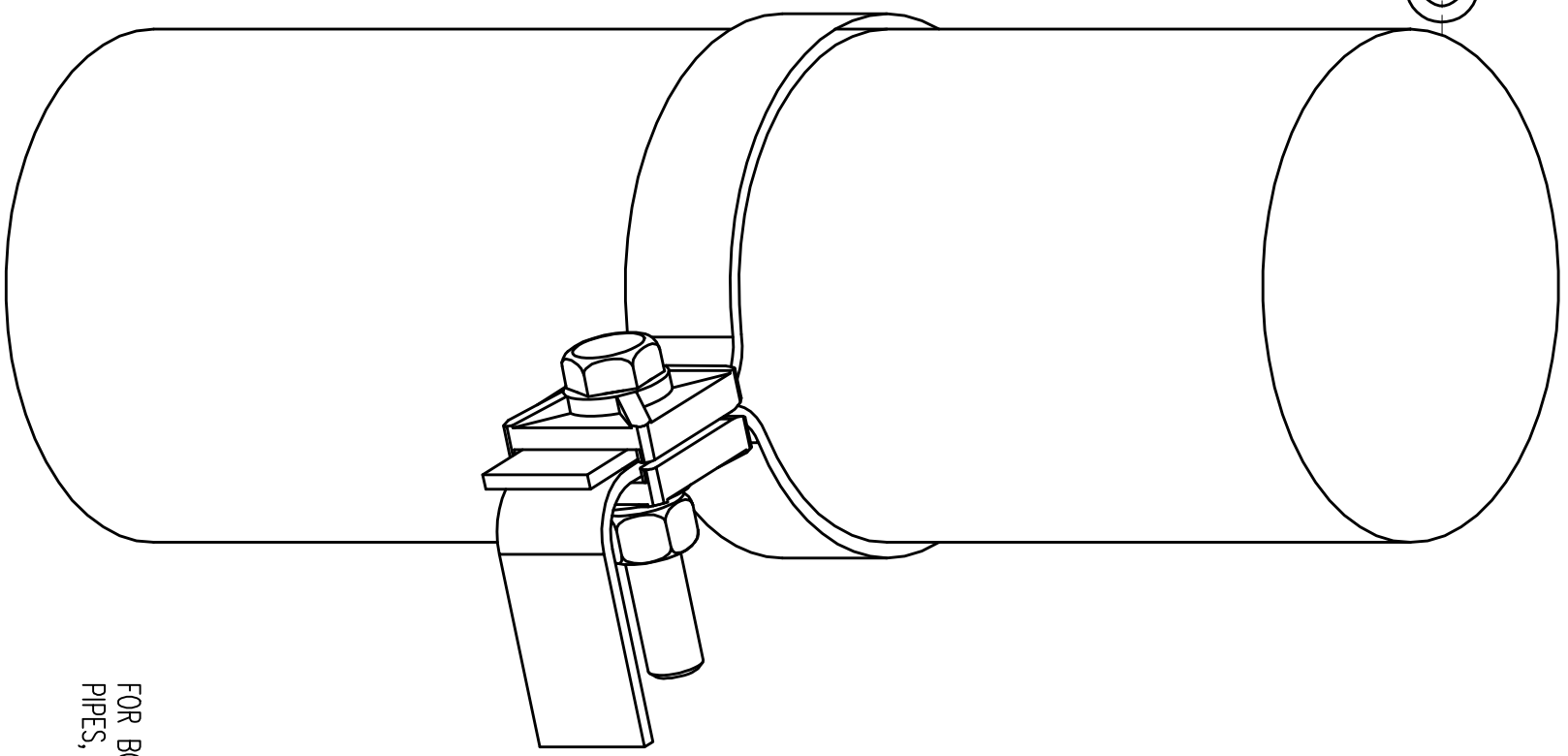
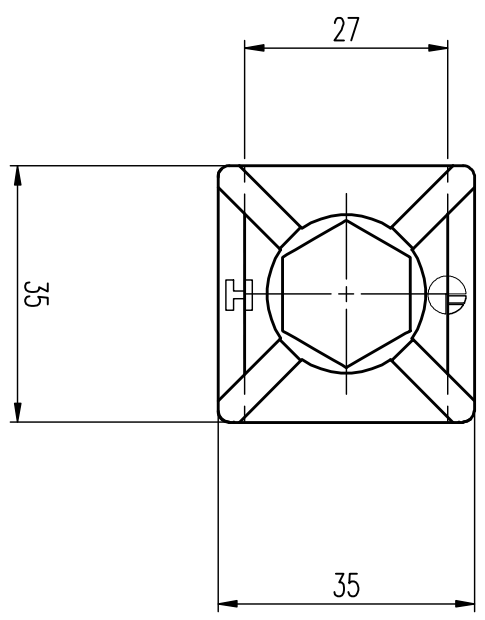
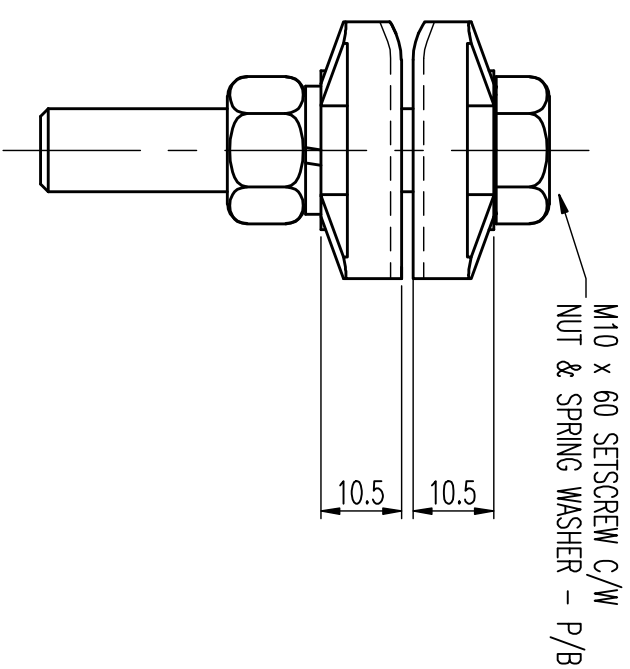
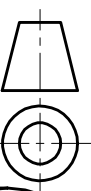


**©**  
COPY RIGHT  
RESERVED

**CUSTOMER  
DRAWING**

FIRST ANGLE PROJECTION



FOR BONDING TAPE TO RAINWATER  
PIPES, HANDRAILS, ETC.

ISSUE	DATE	REVISION	C/NOTE	DRN	APP
13	29.03.99	CHANGED MANUFACTURING PROCESS	583	J.B.	RAJ

**A3**

GENERAL NOTES:  
1. All dimensions in mm unless stated otherwise.  
W.J.FURSE RESERVE THE RIGHT TO ALTER  
THE DESIGN OF ANY PRODUCT WITHOUT NOTICE.

**furse**  
W.J. Furse & Co. Ltd.  
Wilford Road,  
Nottingham,  
NG2 1EB.  
Tel: 0115 986 3471.  
Fax: 0115 986 0538.

**Thomas & Betts**

MATERIAL	878	TITLE	' RWP ' BOND FOR 25 mm WIDE TAPE		DATE	29.03.99	DRN	J.B.
FINISH	SELFCOLOUR	CAD REF	\cad\elp\customer\production		SCALE	1:1	CHKD	RAJ
		DRG.No.	BN115-C		SHEET	1 OF 1	APP	RAJ
					DEPT	E&LP.	REV	13

THIS DRAWING IS THE PROPERTY OF W.J.FURSE & Co LTD., AND MAY NOT BE USED FOR ANY PURPOSE OTHER THAN FOR WHICH IT IS SUPPLIED.  
SHEET REF TECH1 - C:\CAD\BORDERS\CUSTOMER\R14\CUS-A3.DWG REV 2.