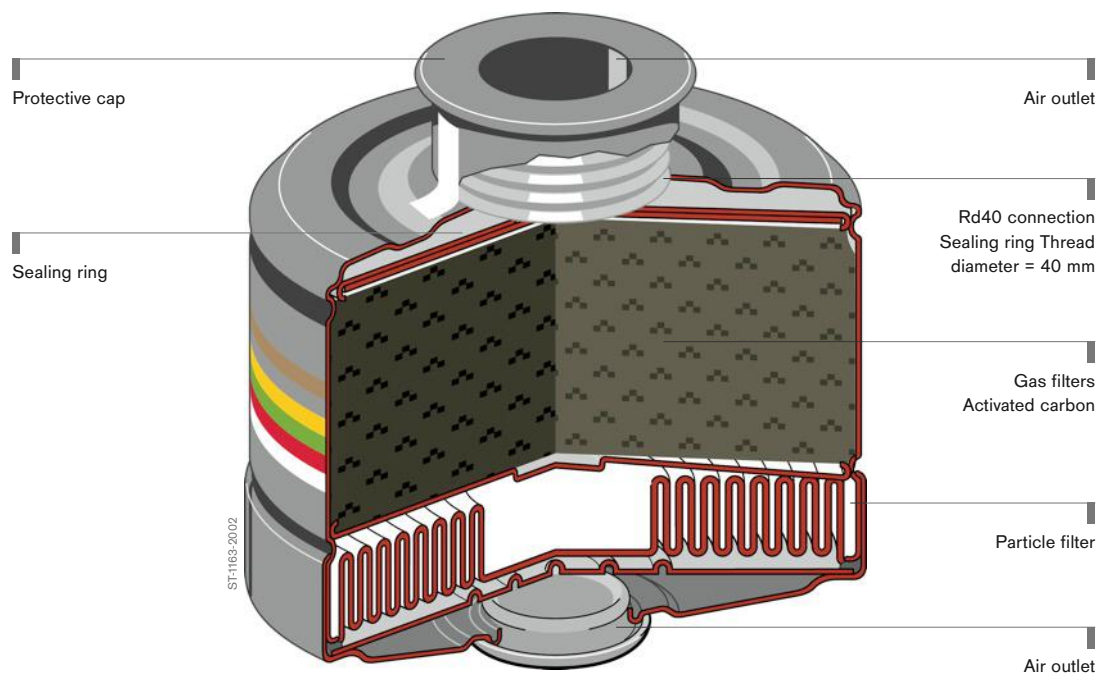


## Dräger X-plore® Rd40 Filter

Whether used in chemical industry or automobile industry, shipbuilding, metal processing industry or by public utility services – for decades Dräger respiratory protection filters have been a synonym for experience and safety worldwide. They clean breathable air from contaminants in a low-cost and effective manner.



## Benefits

---

### **Broad filter range**

The X-plore Rd40 filter series offers various filter types for major applications and protects against many hazardous substances – from phosphine to tear gas to particulates.

---

### **Long life**

The gas filters and combination filters have a shelf-life of 6 years and the particle filters a shelf life of 12 years from date of manufacture.

---

### **Resealable individual packaging**

The filters are packed individually to ensure optimum protection of the unused filter. For storage, the packaging is resealable.

---

### **Supporting filter selection**

The Dräger VOICE database of hazardous substances offers comprehensive support for selecting filters ([www.draeger.com/voice](http://www.draeger.com/voice)).

---

### **Aluminum housing**

The aluminum housing ensures that any damage to the filter is easily detected, therefore providing extra security.

---

### **CE marking**

All filters are CE-marked in accordance with EN 14387 and/or EN 143.

---

### **Rd40 thread connection**

The filters are suitable for use with half and full face masks with standard thread connection Rd40 according to EN 148-1.

## Technical Data

### FILTER COLOUR CODING

Color	Filter Type	Main field of application
brown	AX	Gases and vapors of organic compounds with boiling point $\leq 65$ °C
brown	A	Gases and vapors of organic compounds with boiling point $> 65$ °C
grey	B	inorganic gases and vapors, e.g. chlorine, hydrogen sulphide, hydrogen cyanide
yellow	E	Sulphur dioxide, hydrogen chloride
green	K	Ammonia
black	CO	Carbon monoxid
red	Hg	Mercury vapor
blue	NO	Nitrous gases, including nitrogen monoxide
orange	Reactor	Radioactive iodine including radioactive methyl iodide
white	P	Particles

## Ordering Information

### FILTER TYPE

### ORDER CODE

#### Particle Filters

1140 P3 R (incinerable) also approved as filter TH/M3 P SL R (EN 12941/12942) for Dräger X-plore® 7500	67 38 932
1140 P3 R (incinerable), bulk pack also approved as filter TH/M3 P SL R (EN 12941/12942) for Dräger X-plore® 7500	67 32 974

#### Gas Filters

940 A2	67 38 855
940 A2B2	67 38 779
1140 AX	67 38 863
1140 AXB2*	67 38 782
940 K2	67 38 856
940 A2B2E2K1	67 38 802
1140 A2B2E2K2*	67 38 804

#### Combination Filters

940 A2 P2 R D	67 38 857
1140 A2 P3 R D also approved as filter TH/M3 A2 P SL R (EN 12941/12942) for Dräger X-plore® 7500	67 38 860
940 A2B2 P2 R D	67 38 780
1140 A2B2 P3 R D also approved as filter TH/M3 A2B2 P SL R (EN 12941/12942) for Dräger X-plore® 7500	67 38 783
1140 AX P3 R D	67 38 862
940 K2 P2 R D	67 38 858
940 A2B2E2K1 P2 R D	67 38 803
1140 A2B2E2K1 Hg P3 R D	67 38 815
1140 A2B2E2K2 Hg P3 R D* also approved as filter TH/M3 ABEK2 Hg P SL R (EN 12941/12942) for Dräger X-plore® 7500	67 38 797

## Ordering Information

1140 A1B2E2K1 Hg NO P3 R D / CO 20 P3 R D*	67 38 801
--	-----------

1140 A2B2E2K2 Hg NO P3 R D / CO 20 P3 R D*	67 38 814
--	-----------

### Special Filters

1140 A2 P3 R D / Reactor/Nuclear P3 R D	67 38 871
---	-----------

\*Only use in conjunction with full face masks as filter weight >300g

Marking D: for successfully passed dolomite test

Marking R: Reusable - protection for more than one work shift

[sales@norrscope.com](mailto:sales@norrscope.com)