

# Kidde ECS Fire Suppression System Component Description



Effective: June 2014

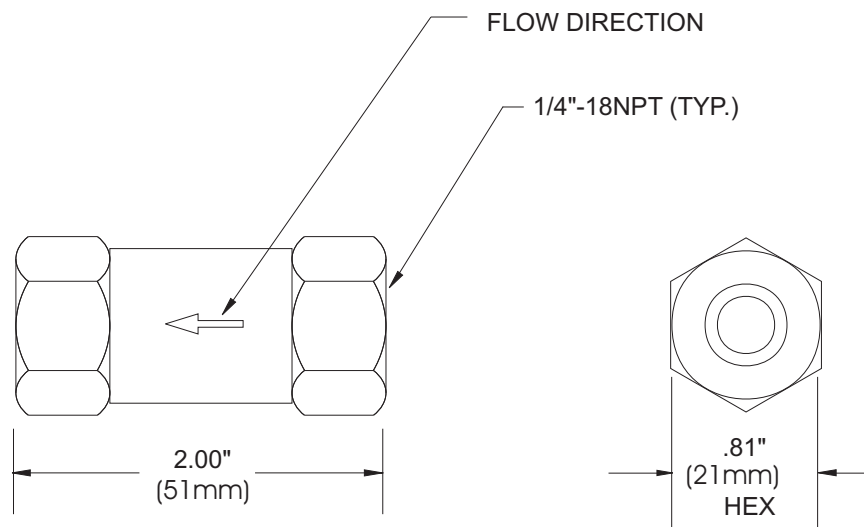
K-90-5090 Rev BA

## 1/4-Inch Check Valve

### FEATURES

- For Use with UL, ULC and FM Approved Systems
- See Kidde® Manual 06-236225-001 for USCG Approval
- RoHS Compliant

P/N: WK-264985-000



### TECHNICAL DATA

- Working Pressure: 0 to 5000 PSI (0 to 345 bar)
- Minimum Bursting Pressure: 10,000 PSI (690 bar)

### MATERIALS

- Body: Brass
- Seal: Buna-N

### COMPATIBILITY

Series	For Use With
Kidde ECS HFC-227ea	X
Kidde ECS Advanced Delivery FM-200®	X