

CO₂ Component Description



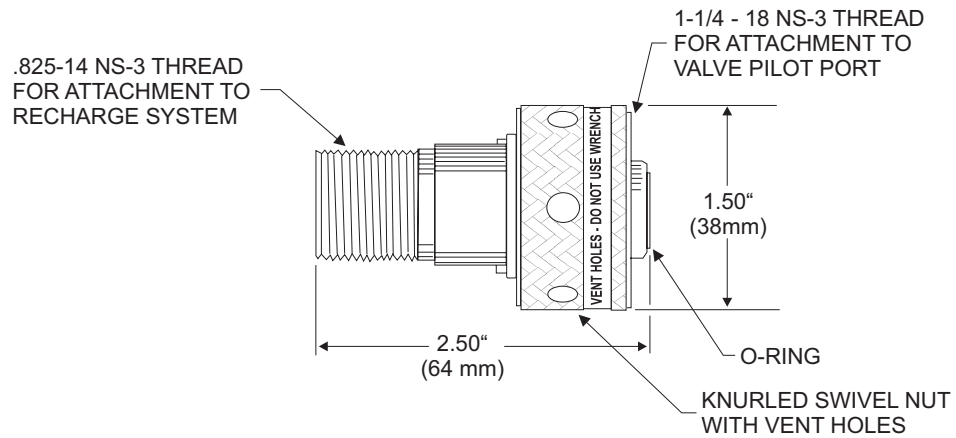
A UTC Fire & Security Company

Charging Accessories

Effective: February 2007

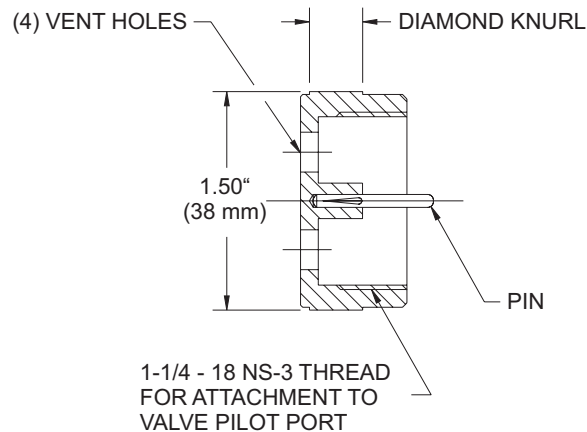
K-81-9110

CHARGE ADAPTER



P/N: 933537

BLOW-OFF FIXTURE - TYPE "I" VALVE



P/N: 930117