

Cylinder Recharge Adapters

FEATURES

- For Approvals, see the “COMPATIBILITY” table on page 2.

DESCRIPTION

The cylinder recharge adapter are installed in the cylinder discharge outlet during the cylinder charging procedure.

AGENT CYLINDER RECHARGE ADAPTERS P/Ns: 82-878757-000 AND 82-878758-000

These adapter are used for refilling the agent cylinder with the agent and if applicable super pressurizing the cylinder with Nitrogen. For more details, see the corresponding Design, Installation, Operation and Maintenance Manual listed in the “COMPATIBILITY” table on page 2.

Note: Not for use on the Kidde Fire Systems Natura™ Inert Gas System. For Natura agent cylinders, see datasheet K-38-2600

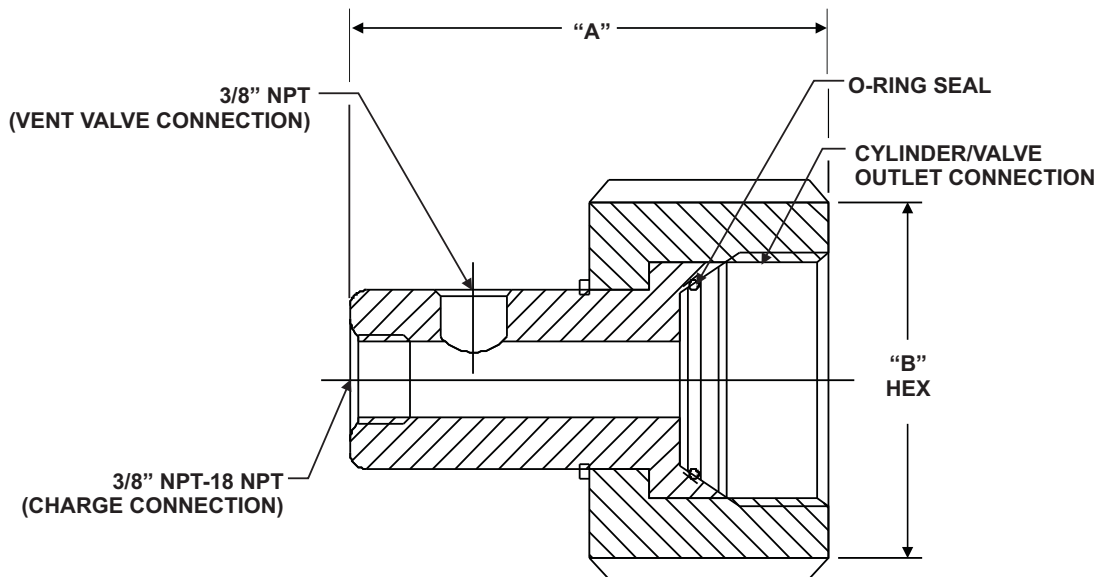


Table 1: Agent Cylinder Recharge Adapter Details

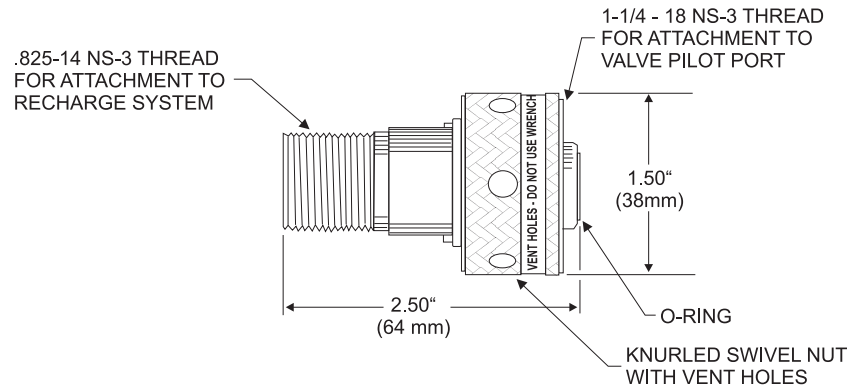
Part Number	Used for Valve Size	Dimensions	
		A	B
82-878757-000	1 1/2 inch valve	3.22 in. (82 mm)	2.50 in. (64 mm)
82-878758-000	2 inch valve	4.06 in. (103 mm)	3.25 in. (83 mm)
Note: Fill adapter not required for cylinders that use a 3-inch valve.			

MATERIAL

Zinc Plated Steel

N2 PILOT, SIREN, AND AGENT DRIVER RECHARGE ADAPTER P/N: WK-933537-000

The recharge adapter, Part No. WK-933537-000 (Figure 2-80), is used to fill the Nitrogen cylinder assemblies. The adapter is attached to the cylinder valve pilot port connection during cylinder charging.



COMPATIBILITY

sales@norrscope.com

Series	DIOM P/N	Approvals
Kidde Fire Systems ECS-500™ System	06-237585-001	UL, ULC, FM
Kidde Fire Systems ECS-500™ Marine System	06-237589-001	UL, ULC, USCG
Kidde Fire Systems ADS™ for use with Fluoroketone Fire Suppression Agents	06-237256-001	UL, ULC, FM
Kidde Fire Systems ADS™ Marine for use with Fluoroketone Fire Suppression Agents	06-237257-001	UL, ULC, USCG
Kidde Fire Systems ADS™ with HFC-227ea Agent	06-236068-001	UL, ULC, FM
Kidde Fire Systems ADS™ Marine with HFC-227ea Agent	06-236595-001	UL, ULC, USCG
Kidde Fire Systems ECS™ 360 for use with Fluoroketone Fire Suppression Agents	06-236553-001	UL, ULC, FM
Kidde Fire Systems ECS™ 360 Marine for use with Fluoroketone Fire Suppression Agents	06-236559-001	UL, ULC, USCG
Kidde Fire Systems ECS™ 360 with HFC-227ea Agent	06-236115-001	UL, ULC, FM
Kidde Fire Systems Modular ECS™ 360 with HFC-227ea Agent	06-236116-001	UL, ULC, FM
Kidde Fire Systems ECS™ 360 Marine with HFC-227ea Agent	06-236225-001	UL, USCG
Kidde Fire Systems FE-13™ Engineered Suppression System	06-236169-002	UL
Kidde Fire Systems Natura™ Inert Gas System*	06-237619-001	UL, FM

*On Natura systems, use only WK-933537-000 for pilot cylinders. For agent cylinders, see datasheet K-38-2600