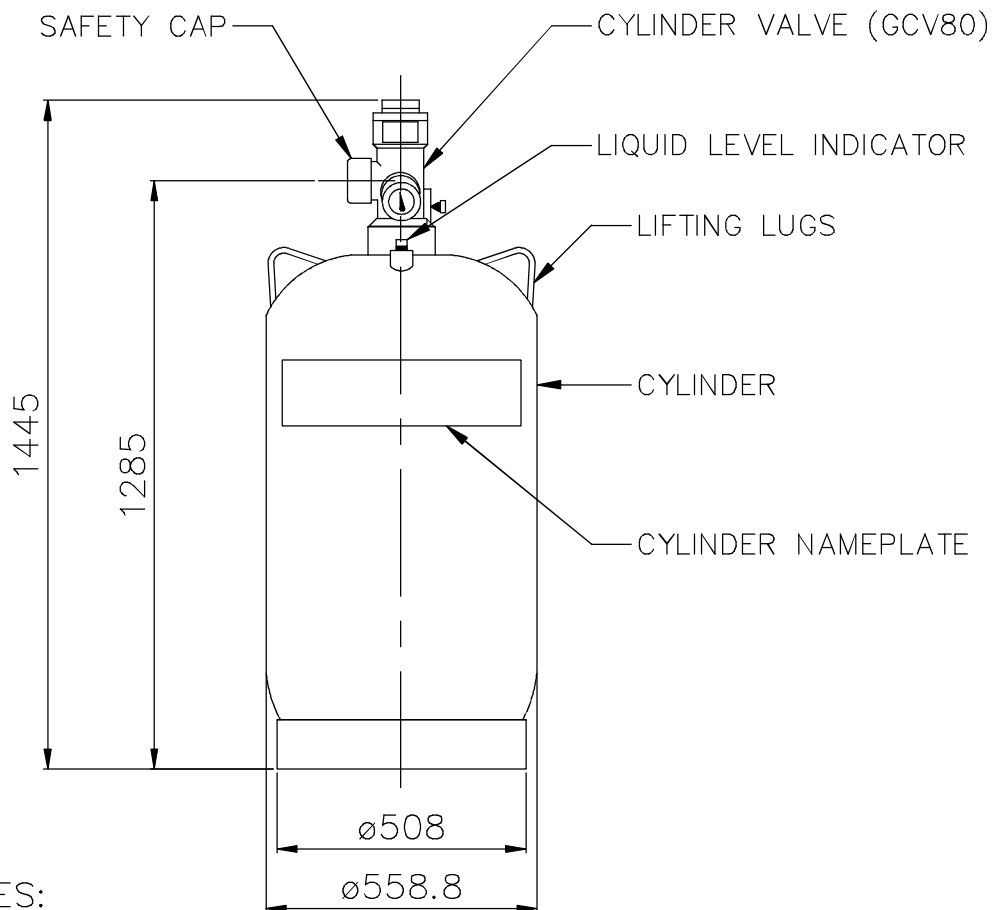


PART No	DESCRIPTION
E7763-110-06	STD
E7763-111-06	W/LLI



NOTES:

1. THE SAFETY CAP MUST BE INSTALLED ON THE VALVE OUTLET AT ALL TIMES EXCEPT WHEN THE CYLINDERS ARE CONNECTED TO THE SYSTEM PIPING OR ARE BEING FILLED. THE SAFETY CAP MUST NOT BE REMOVED FROM ITS CHAIN.
2. WITHOUT UL/FM MARKING ON LABEL

MATERIAL:

VALVE BODY: BRASS
 CYLINDER: STEEL, PAINTED RED
 (FS 595 11105 FLAG RED)
 APPROXIMATE WEIGHT: 126kg

Part Number E7763-110-06 & 111-06
 Cylinder & Valve Assemblies 243L Empty

REV	DATE	REASON FOR ISSUE	APP
1	25.09.12	1ST ISSUE	