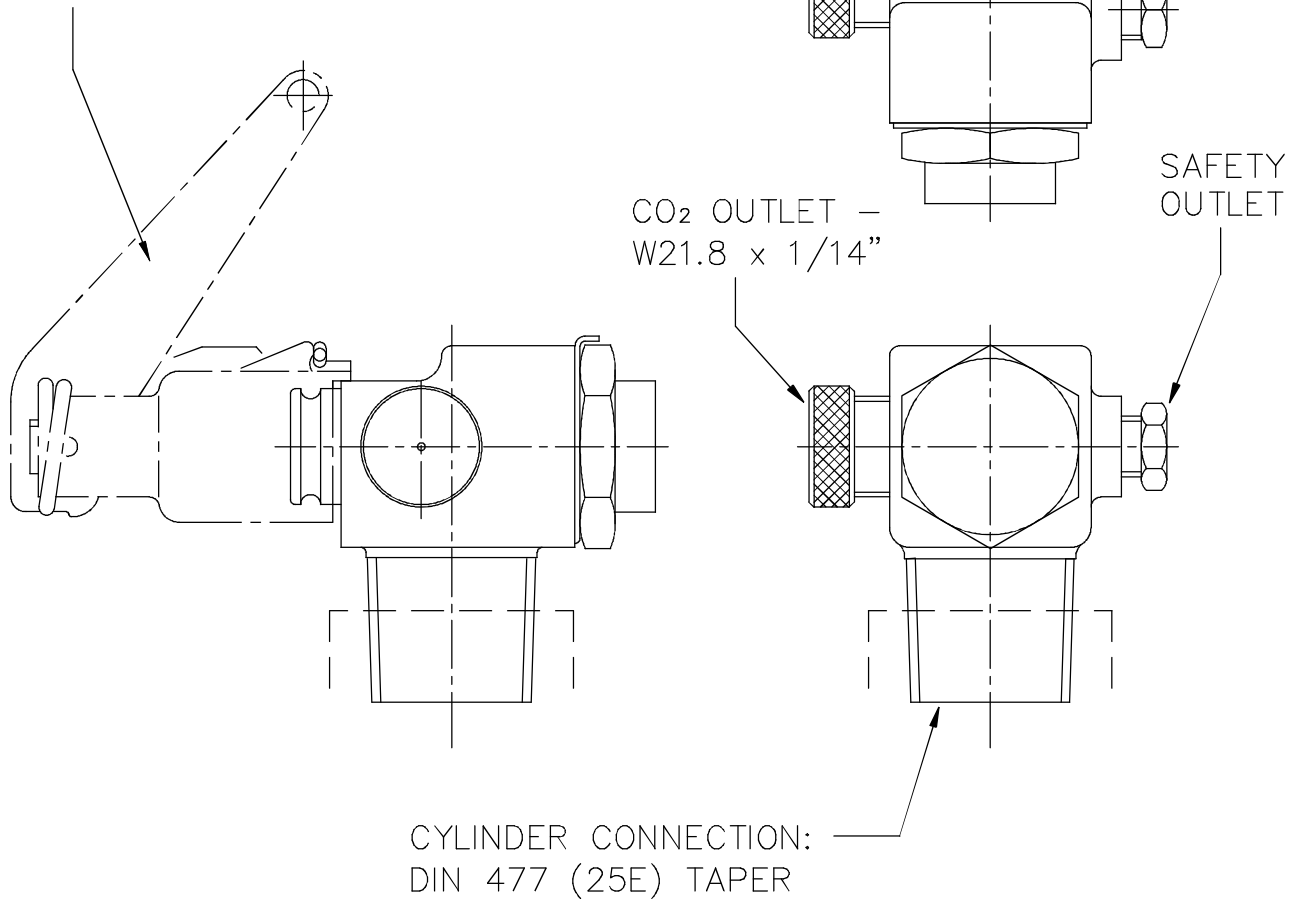


VALVE ACTUATOR
SEE DS K62341



DESCRIPTION

THE 'KLEM' CYLINDER VALVE IS A COMPACT, HORIZONTAL SERVO ASSISTED VALVE WHICH CAN BE OPERATED WHEN THE APPROPRIATE ACTUATOR IS FITTED, BY GAS PRESSURE OR MANUALLY BY A LEVER.

WORKING PRESSURE (MAX): 140 BAR

SAFETY BURST DISC: RUPTURES BETWEEN 179 AND 196 BAR

sales@norrscope.com

DS D8562-006
KLEM Valve MK2-DIN 477

TPED 2010/35/EU CLASSIFICATION PI MARKED.
ALL DIMENSIONS IN mm's UNLESS OTHERWISE STATED

| | | | |
|-----|----------|----------------------|------|
| | | | |
| A | 13/07/15 | 1ST ISSUE DCN-15-062 | M.S. |
| REV | DATE | REASON FOR ISSUE | APP |