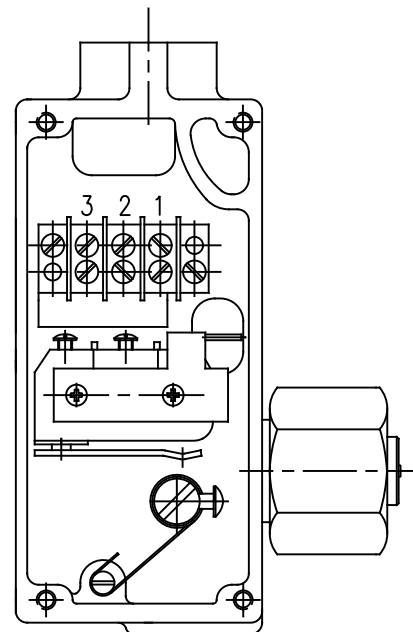
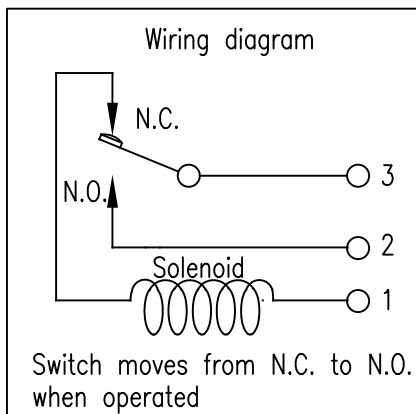
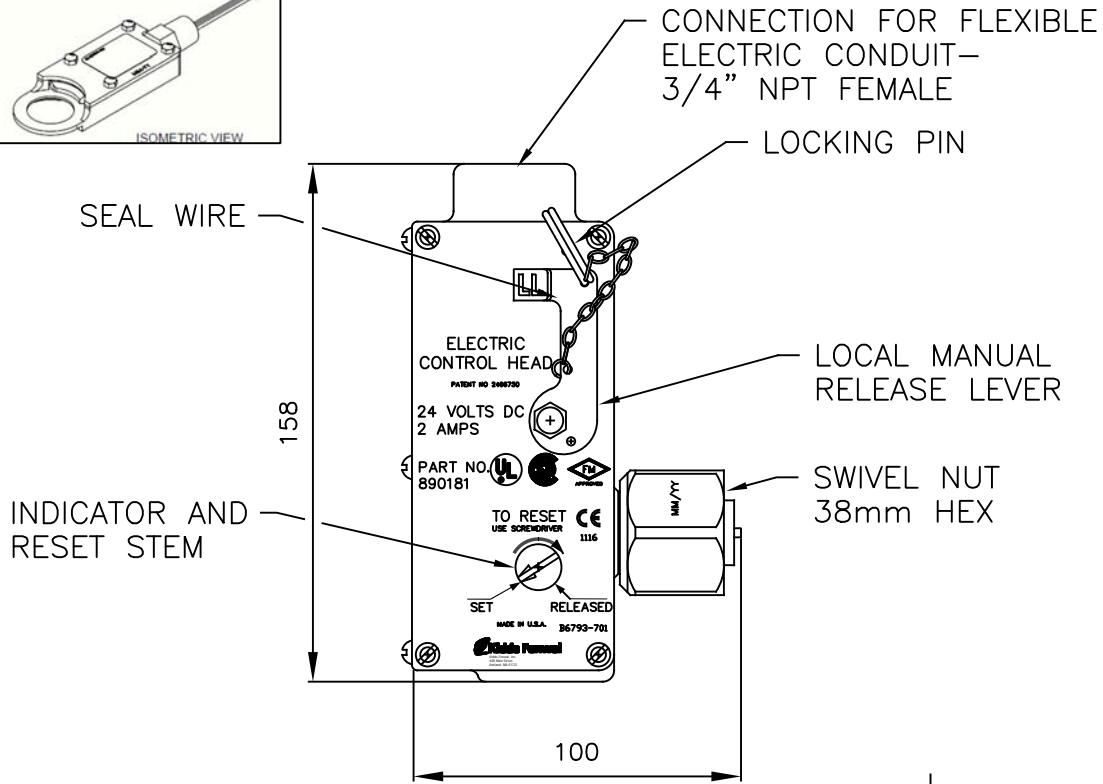
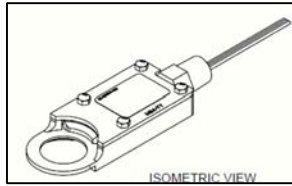


OPTIONAL CONTROL HEAD MONITOR SWITCH (85-100000-100) SEE BULLETIN

sales@norrscope.com

#15-50K



ELECTRIC DATA: SUPPLY - 24V DC - NON POLARISED  
 CURRENT - 2 AMPS - NOMINAL, MOMENTARY  
 APPROXIMATE WEIGHT: 2.1kg



Part Number: 890181 Electric Control Head  
 ALL DIMENSIONS IN mm's UNLESS OTHERWISE STATED

A	31/05/18	FIRST ISSUE 18-038	M.S.
REV	DATE	REASON FOR ISSUE	APP