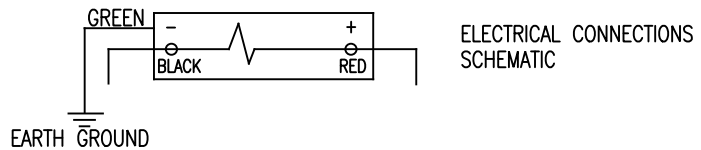
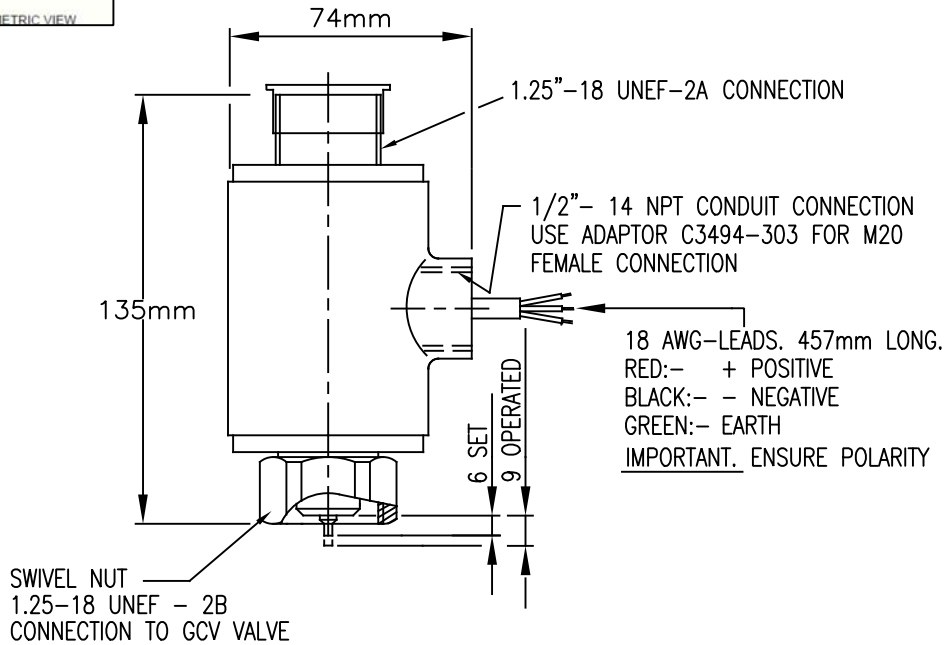
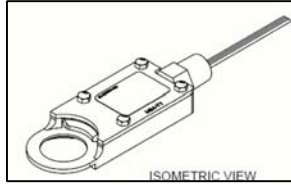


OPTIONAL CONTROL HEAD MONITOR  
SWITCH (85-100000-100) SEE BULLETIN

#15-50K



NOTE. CONTROL HEAD IS POLARISED

**WARNING**

ELECTRIC CONTROL HEAD IS DESIGNED FOR INSTALLATION DIRECTLY ON GX20 CYLINDER VALVES GCV40 & GCV50 ONLY. THIS CONTROL HEAD MUST NOT BE INSTALLED ON **ANY OTHER TYPE** OF CYLINDER VALVE, NITROGEN VALVE, CARBON DIOXIDE VALVE OR STOP (DIRECTIONAL) VALVE. INSTALLATION OF THIS CONTROL HEAD TO ANY OTHER DEVICE (e.g. PRESSURE OPERATED CONTROL HEAD) WILL RESULT IN FAILURE OF DEVICE TO OPERATE.

HOUSING MATERIAL: BRASS  
FINISH: NATURAL  
VOLTAGE: 24V DC  
CURRENT DRAW: 0.2 AMPS NOMINAL, CONTINUOUS

Flameproof Control Head, Stackable

RATED FOR USE IN HAZARDOUS (CLASSIFIED) AREAS CLASS I DIVISION I GROUPS C & D AND CLASS II DIVISION II GROUPS E, F & G BETWEEN -40°C AND +60°C  
USE CONDUIT SEAL WITHIN 450mm OF THIS DEVICE

APPROXIMATE WEIGHT: 1.8kg



ALL DIMENSIONS IN mm's UNLESS OTHERWISE STATED sales@norrscope.com

		Part No DS 486500-01	
A	31/05/18	FIRST ISSUE 18-038	M.S.
REV	DATE	REASON FOR ISSUE	APP