

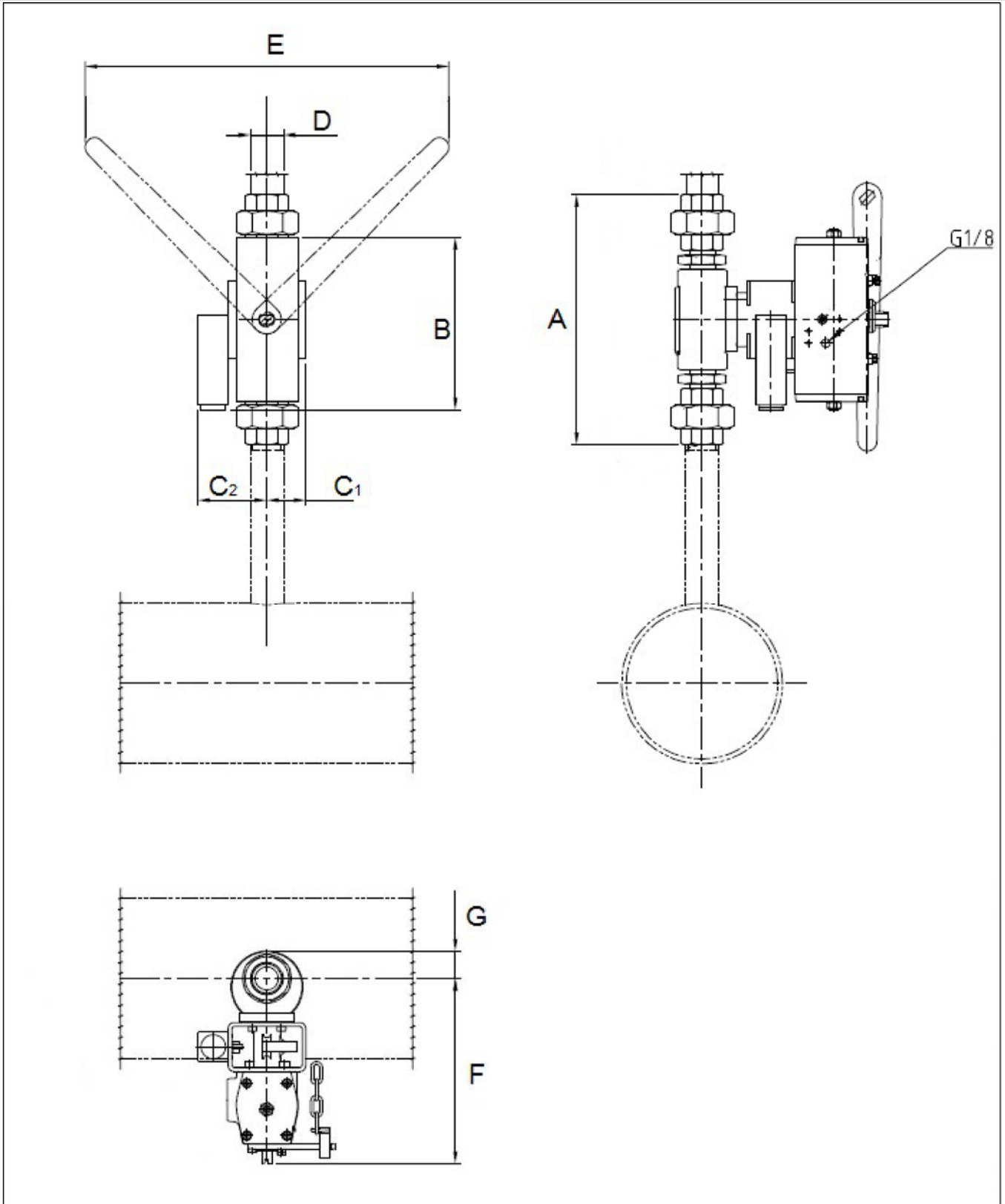
Drawn / Date
TF 06/09/16

App. by / Date
MS 06/09/16

Date of issue
06/09/16

Rev.
B

DCN
16-006



| P/N | D | A | B | C ₁ | C ₂ | E | F | G |
|--------------|-------------|-----|-----|----------------|----------------|-----|-----|----|
| 22-37140-025 | 1" BSPP | 257 | 177 | 40 | 71 | 374 | 190 | 29 |
| 22-37140-040 | 1-1/2" BSPP | 120 | 196 | - | 71 | 396 | 242 | 42 |
| 22-37140-050 | 2" BSPP | 334 | 243 | 52 | 71 | 366 | 250 | 52 |