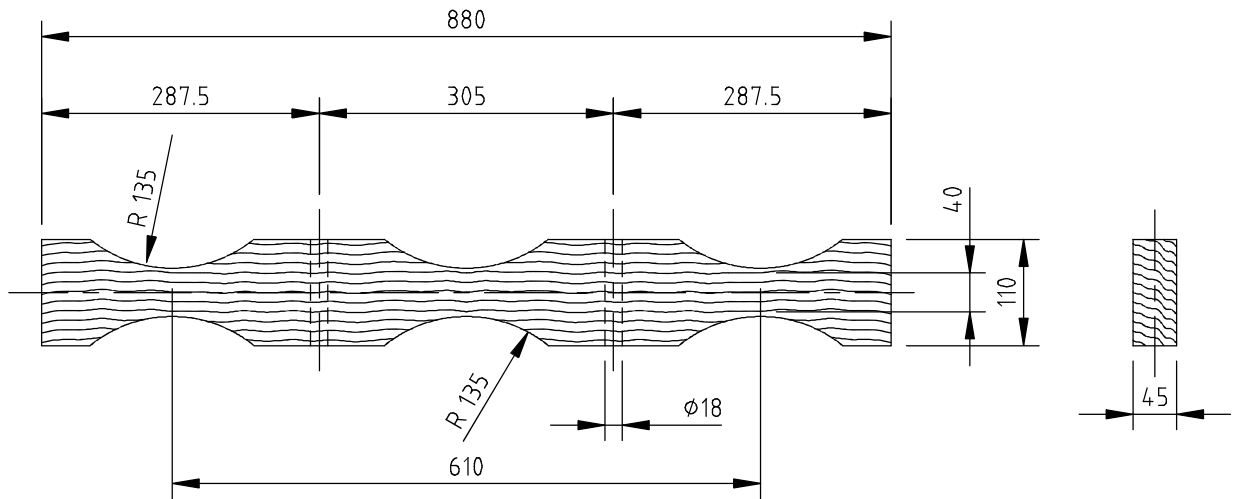


Made by/Date	App. by/Date	Date of issue	Rev.	Page	of
TF /29.04.93	RK/25.08.00	19.11.10	2	DCN10-042	1 1



MATERIAL : PINE
SURFACE TREATMENT : IMPREGNATED WITH PINOTEX
WEIGHT : 1.4 kg