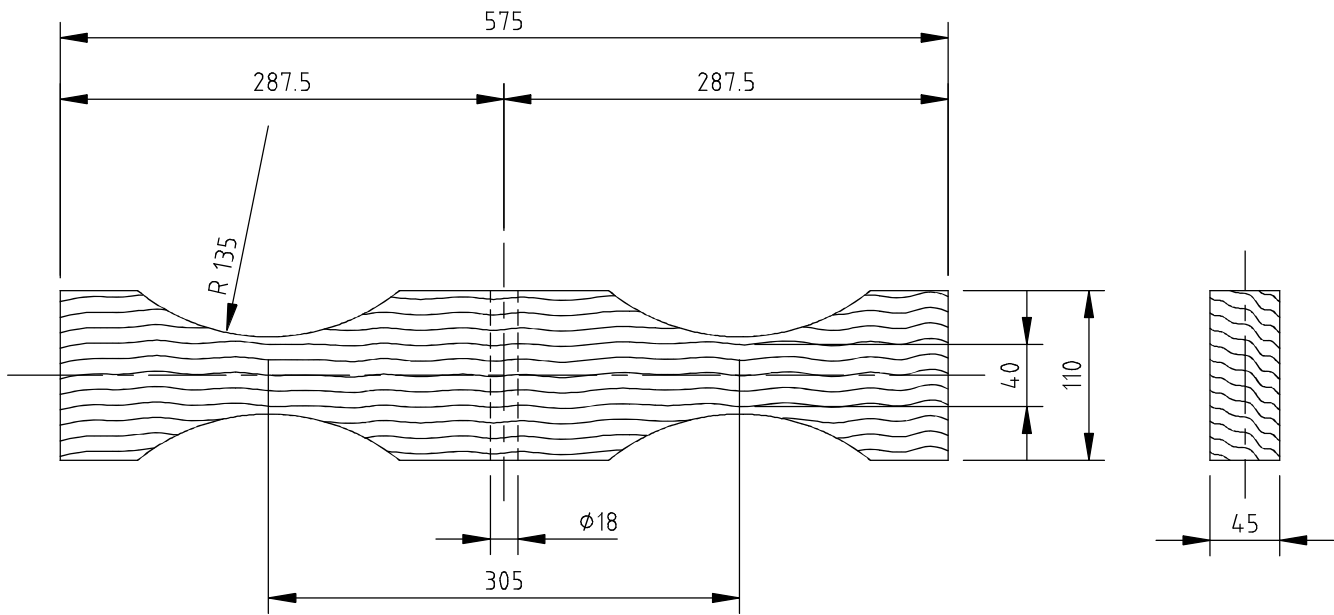


Made by/Date	App. by/Date	Date of issue	Rev.	Page	of
TFN /29.04.93	RK /25.08.00	19.11.10	2	DCN10-042	1



MATERIALE : PINE  
SURFACE TREATMENT : IMPREGNATED WITH PINOTEX  
MATERIALE : 0.85 kg