

Made by/Date
MA / 17.01.06

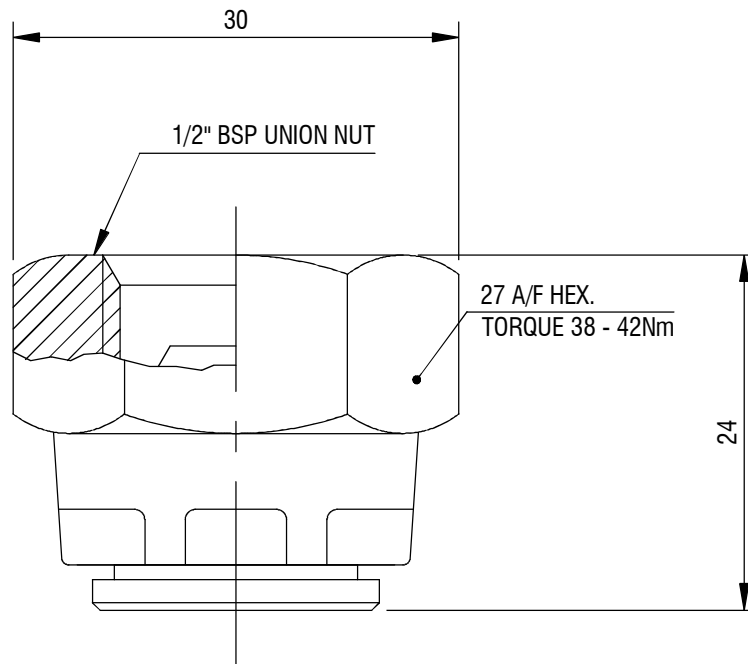
App. by/Date
RK/17.01.06

Date of issue
17.01.06



Rev.
0

Page **1** of **1**



MATERIAL : STEEL, CROME PLATED
WORKING PRESSURE : 370 bar AT 50°C
TEST PRESSURE : 555 bar
TEMPERATURE : -40°C TO + 155°C
WEIGHT : 0.125 kg