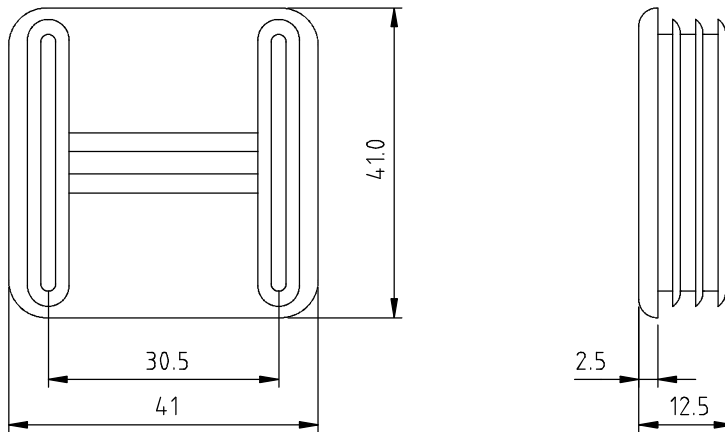


Made by/Date TFT /14.11.94	App. by/Date	Date of issue 19.11.10	Rev. 4	DCN10-042	Page 1	of 1
-------------------------------	--------------	---------------------------	-----------	-----------	-----------	---------



WALL MOUNTING RAIL FOR MANIFOLD SEE: 01-8121/30-1000
BRACKET FOR MANIFOLD SEE: 01-8160-0150/0830

MATERIAL : PVC (POLYVINYL CHLORIDE) WHITE
WEIGHT : 0.005 kg