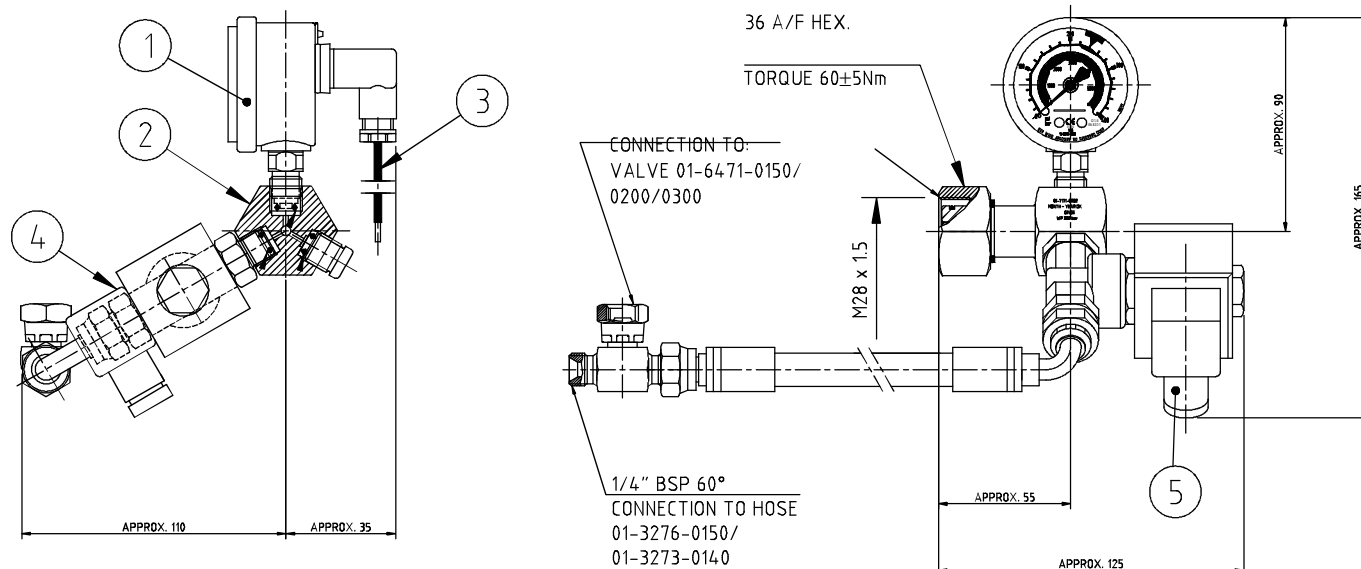


Made by/Date MA/17.05.00	App. by/Date TF/07.04.10	Date of issue 07.04.10	Rev. 6	Page 1	of 1
-----------------------------	-----------------------------	---------------------------	-----------	-----------	---------



NOMINAL PRESS, bar	SCALE x100kpa, bar	MAX WORKING PRESS, bar	TEST PRESS, bar	NORMALLY CLOSED, bar	NORMALLY OPEN, bar	KIDDE Part no.:
150	120-250	178	270	≥ INCR. 120	< DECR. 120	01-7173-1150
200	160-315	240	360	≥ INCR. 160	< DECR. 160	01-7173-1200
300	240-400	370	555	≥ INCR. 240	< DECR. 240	01-7173-1300

DECR. = DECREASE, INCR.= INCREASE

- 1. CONTACT PRESSURE GAUGE CONTACT : STAINLESS STEEL CASING
: GOLD PLATED
: VOLTAGE 4.5 – 24V DC/VAC
: CURRENT 5 – 100mA
: CONTACT LOAD 2.4W Max.

DIAMETER : ø55mm
ACCURACY CLASS : 1.6 IN SCALE
WEATHER PROTECTION : IP 65 (DIN 43650)
- 2. BLOCK : BRASS
SPARE O-RING : ø17.17 x 1.78 EPDM SHORE 90°,
PART NO. 15-0181-0300
- 3. SINGLE CORE CABLE : 1.5 mm², x 500mm INCL. SILICONE RUBBER, RED IEC 228 CLASS 5
- 4. SOLENOID VALVE : 2/2 24V DC 14W
(MAX. MONITORING CURRENT 4V, 0.14A)

WEATHER PROTECTION : IP65
VALVE NORMALLY CLOSED
VALVE SEAT DIA. : ø0.7mm
- 5. CABLE GLAND PG9 : INCL.
TEMPERATURE RANGE : -20°C TO 50°C (EN 15004-9/EN 12094)
-29°C TO 55°C (NFPA 2001/JUL 2127)
- WEIGHT APPROX. : 0.9 kg