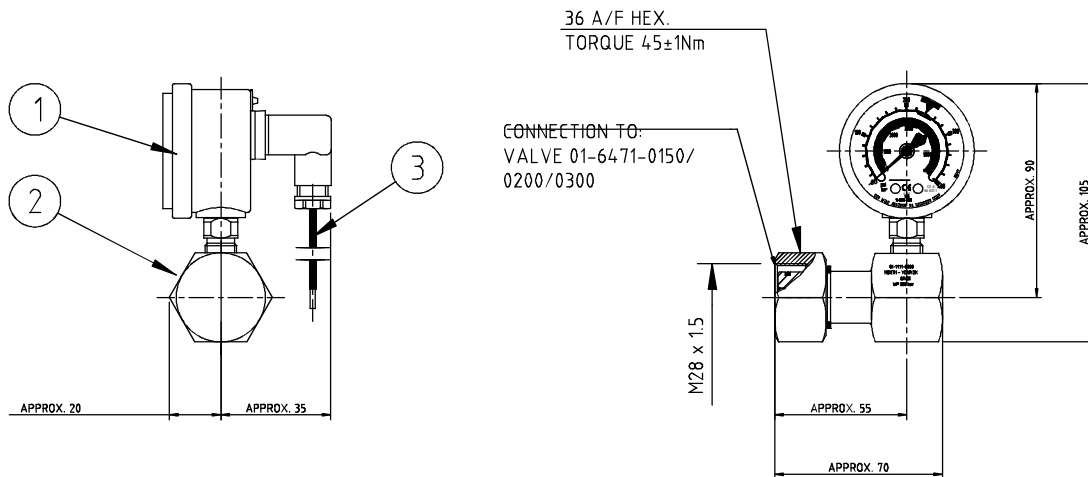


Made by/Date	App. by/Date	Date of issue	Rev.	Page	of
MA/26.11.99	TF/07.04.10	07.04.10	6	1	1



NOMINAL PRESS, bar	SCALE x100kpa, bar	MAX WORKING PRESS, bar	TEST PRESS, bar	NORMALLY CLOSED, bar	NORMALLY OPEN, bar	KIDDE Part no.:
150	120-250	178	270	≥ INCR. 120	< DECR. 120	01-7171-1150
200	160-315	240	360	≥ INCR. 160	< DECR. 160	01-7171-1200
300	240-400	370	555	≥ INCR. 240	< DECR. 240	01-7171-1300

DECR. = DECREASE, INCR.= INCREASE

- 1. CONTACT PRESSURE GAUGE : STAINLESS STEEL CASING
 CONTACT : GOLD PLATED
 VOLTAGE 4.5 – 24V DC/VAC
 CURRENT 5 – 100mA
 CONTACT LOAD 2.4W Max.

 DIAMETER : ø55mm
 ACCURACY CLASS : 1.6 IN SCALE
 WEATHER PROTECTION : IP 65 (DIN 43650)
 - 2. BLOCK : BRASS
 SPARE O-RING : PART NO. 15-0181-0300
 - 3. SINGLE CORE CABLE : 1.5 mm², x 500mm INCL. SILICONE
 RUBBER, RED IEC 228 CLASS 5
- TEMPERATURE RANGE : -20°C TO 50°C (ISO 14520/EN 12094)
 -29°C TO 55°C (NFPA 2001/UL 2127)
- WEIGHT APPROX. : 0.7 kg