

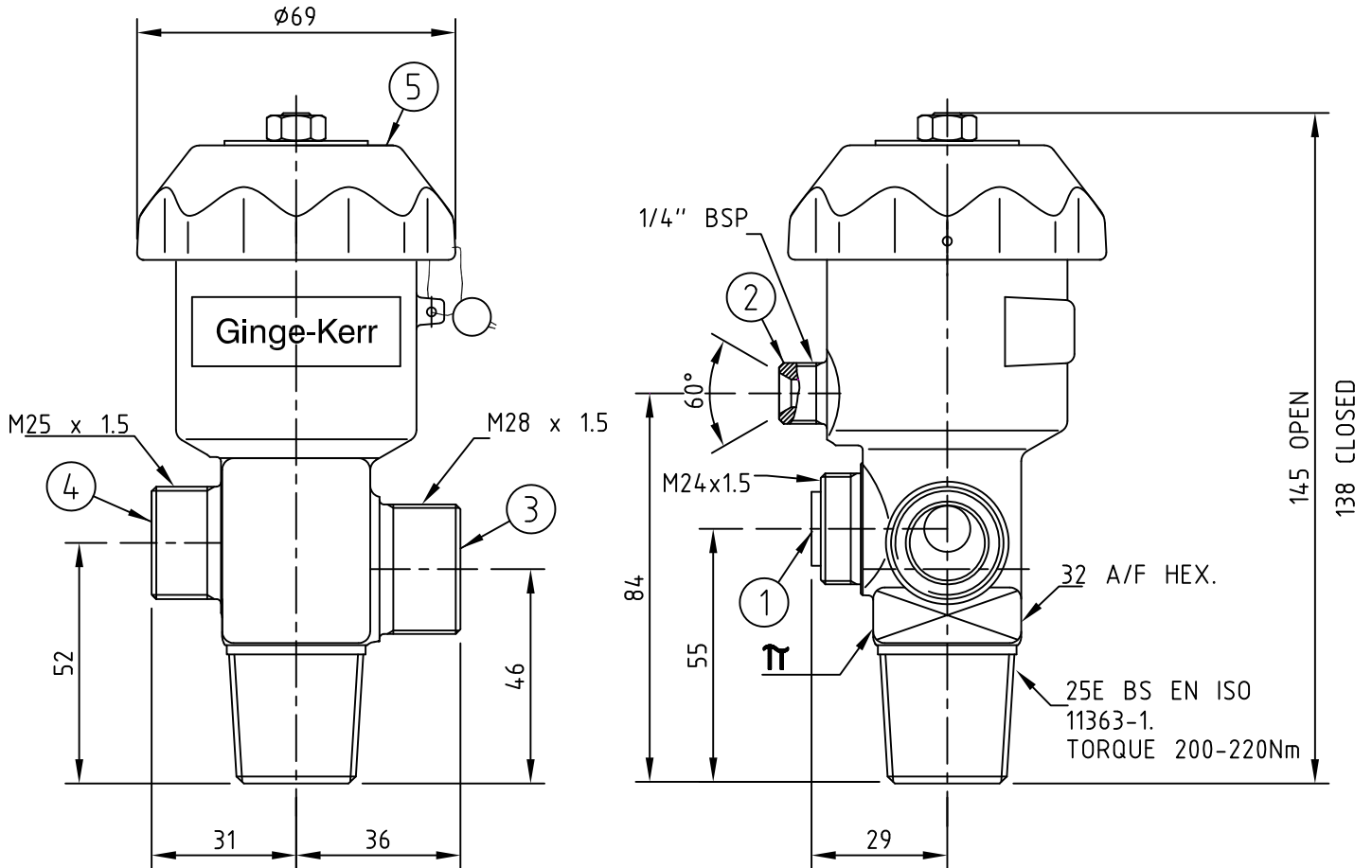
Drawn / Date
PS 30/06/10

App. by / Date
MS 10/04/12

Date of issue
14/02/22

Rev.
9

DCN
22-002



1. BURSTING DISC BLUE COVER PART NO. 15-6471-0150
2. ACTUATION PORT
3. CONNECTION TO CONTACT PRESSURE GAUGE UNIT 01-7171-1150 OR RELEASE UNITS 01-7172-1150 / 01-7173-1150
4. OUTLET CONNECTION TO HOSE 01-3284-0100 / 0200
5. GREEN HAND WHEEL FOR FILLING ONLY

MATERIAL	: BRASS EN12165-CW617N-B
PRESSURE FOR ACTUATION	: 25 bar AT CYLINDER PRESSURE OF 150 bar
NUMBER OF OPERATIONS	: 50
WORKING PRESSURE	: 150 bar
TEST PRESSURE	: 270 bar
TEMPERATURE RANGE	: -20°C TO 50°C (ISO 14520 / EN 12094) : -29°C TO 55°C (NFPA 2001 / UL 2127)
WEIGHT	: 1.4 kg