

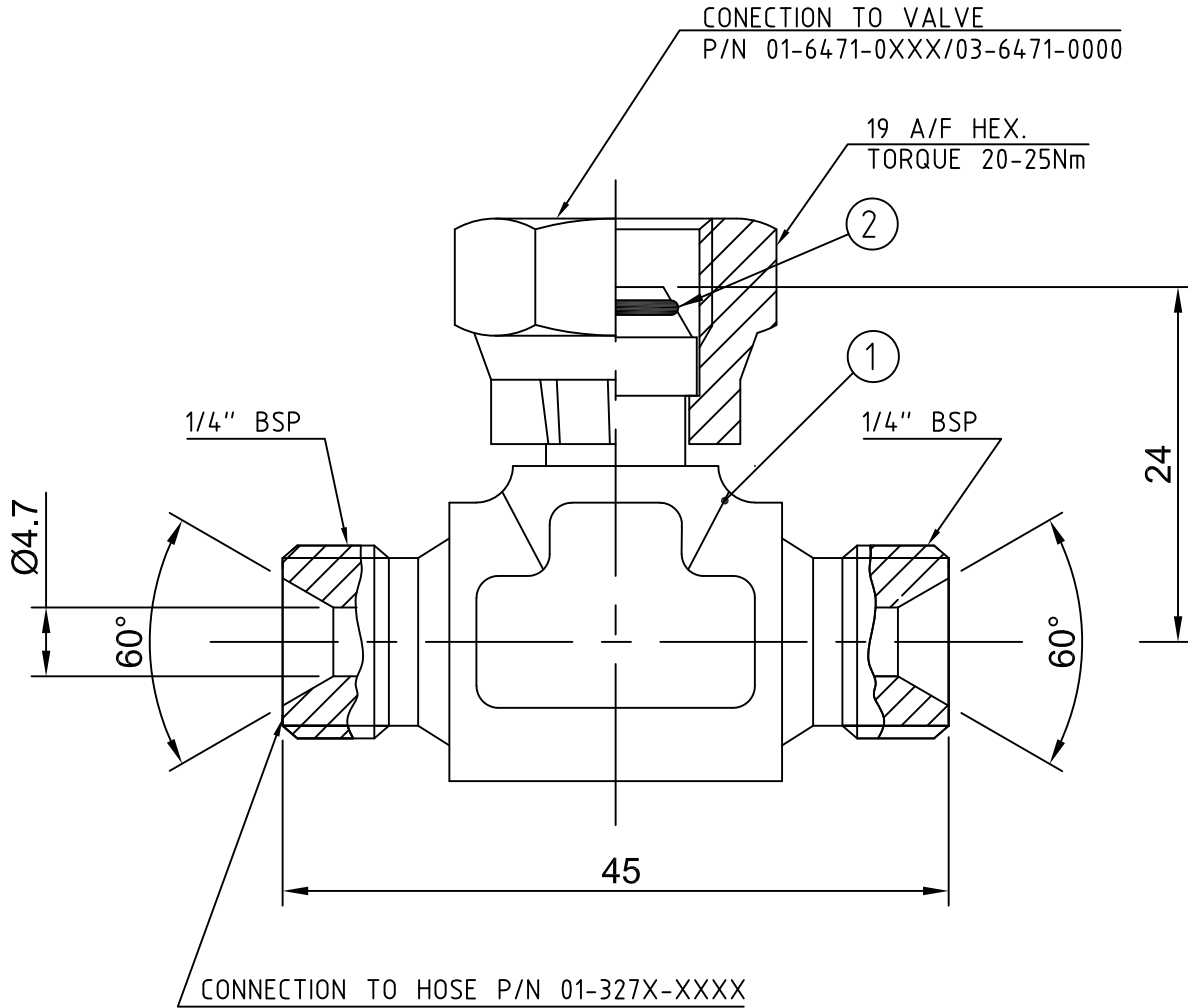
Drawn / Date  
MA 28/07/05

App. by / Date  
MS 07/09/18

Date of issue  
26/01/21

Rev.  
3

DCN  
21-004



POS. 1	:	TEE-PIECE 1/4"
POS. 2.	:	O-RING, FOR SPAREPART P/N 15-0181-0005
MATERIAL	:	STEEL, CROME PLATED
WORKING PRESSURE	:	366 bar AT 50°C
TEST PRESSURE	:	555 bar
TEMPERATURE	:	-40°C TO + 155°C
WEIGHT	:	0.125 kg
STANDARD	:	ISO 8434:6