

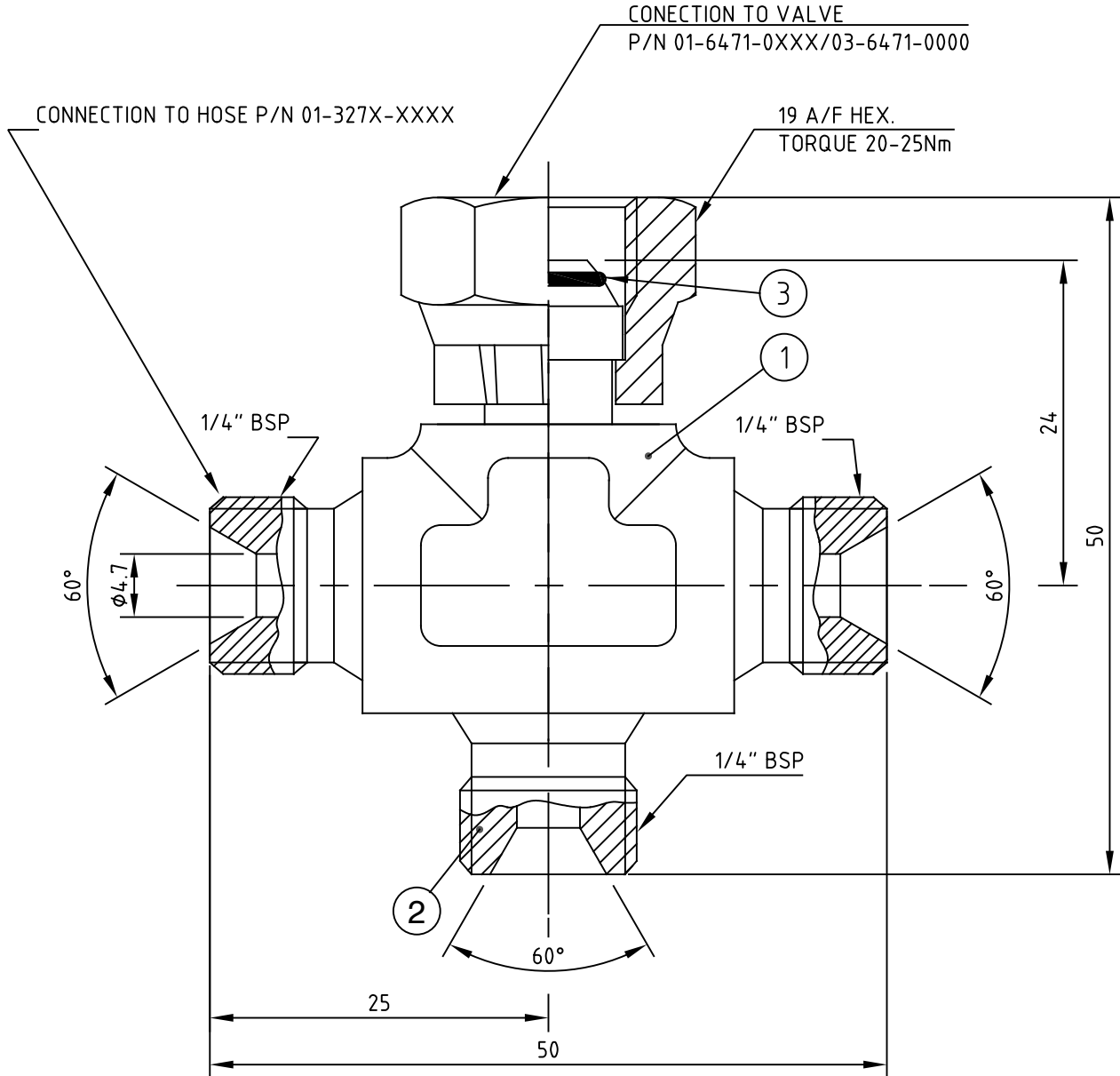
Drawn / Date
MA 05/07/05

App. by / Date
MS 07/12/18

Date of issue
07/12/18

Rev.
1

DCN
18-030



- 1. CONNECTION TO VALVE NO. 01-6471-0150/0200/0300
- 2. CONNECTION FOR HI-FLEX HOSE NO. 01-327X-XXXX
- 3. O-RING, FOR SPAREPART P/N 15-0181-0005

MATERIAL : STEEL
 FINISH : CROME PLATED
 WORKING PRESSURE : 370 Bar at 50°C
 TEMPERATURE : -40°C TO + 155°C
 WEIGHT : 0.200 kg
 STANDARD : ISO 8434:6