

Made by/Date
MA / 01.08.01

App. by/Date
RK/28.02.05

Date of issue
8.11.10

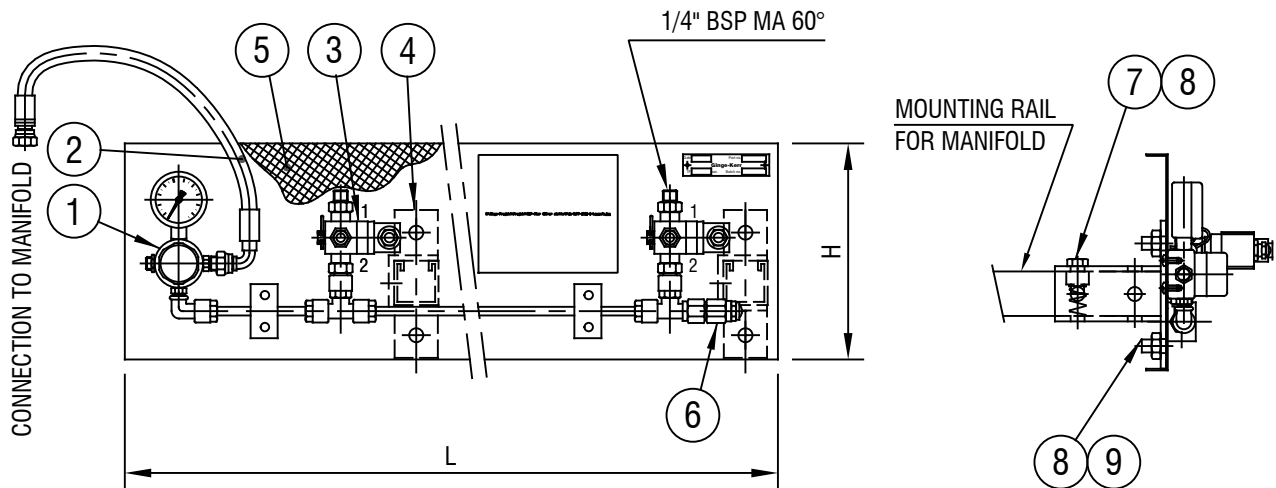


Rev.
3

DCN10-042

Page
1

of
1



NO'S DIVERTER VALVES	PART NO.	L	H	POS. 4, (PCS)	WEIGHT
2	01-3508-0002	605	200	2	~ 4 kg
3	01-3508-0003	910	200	2	~ 5 kg
4	01-3508-0004	1215	200	3	~ 8 kg
5	01-3508-0005	1520	200	3	~ 10 kg

- POS. 1 : PRESSURE REGULATOR, 01-6017-0000, 300 BAR / 8 BAR
- POS. 2 : HI-FLEX HOSE 1/4" x 700mm 1 x 90° ELBOW, 01-3273-1200, SPARE O-RING P/N 15-0181-0005
- POS. 3 : SOLENOID VALVE 3/2 WAY, MAN. OVERRIDE, 24V DC, 10W, 15-8240-0027
- POS. 4 : BRACKET FOR PILOT MANIFOLD WITH BOLTS
- POS. 5 : CABLE TRAY, GALV
- POS. 6 : VENT UNIT, 01-8999-0000
- POS. 7 : SPRING NUT, M12
- POS. 8 : BOLT M12 x 25mm
- POS. 9 : NUT, M12