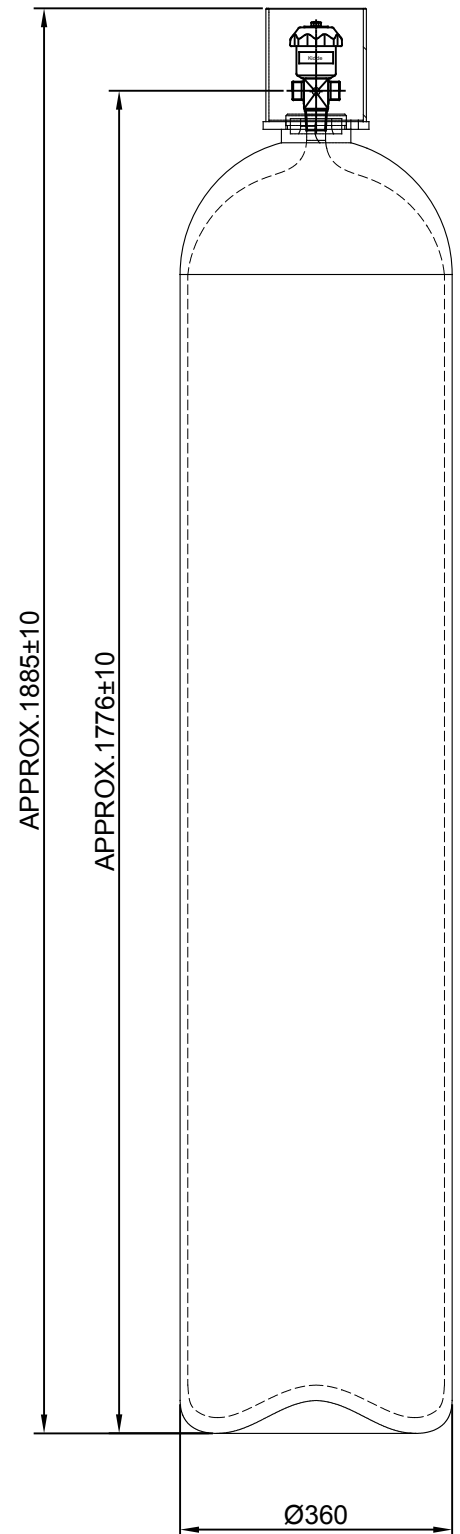
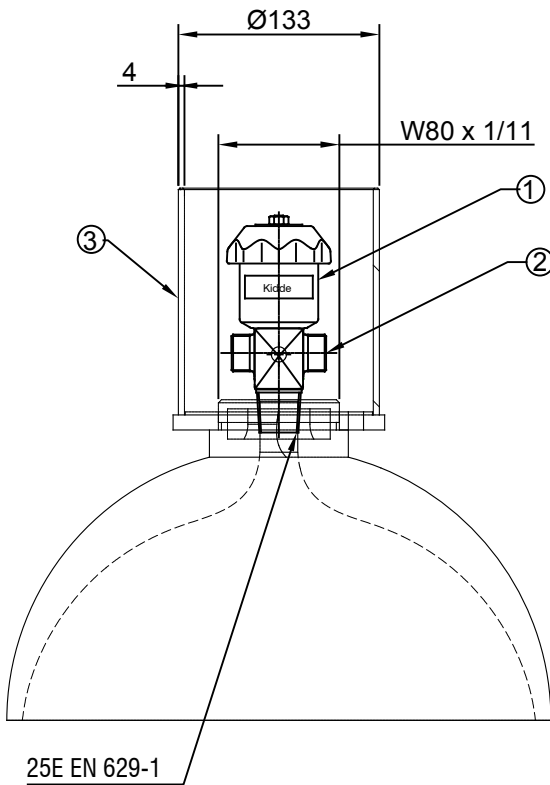


Drawn / Date	App. by / Date	Date of issue	Rev.	DCN
TF 06/11/17	MS 06/11/17	06/11/17	A	17-091



TEST PRESSURE	:	450 bar
WORKING PRESSURE	:	200 bar (15°C)
CAPACITY	:	140 L
IG55 CAPACITY	:	28.43m <sup>3</sup> @ 20°C
IG55 FILLING	:	40.15kg @ 15°C
VALVE -①	:	01-6471-0300 - 469 GREEN HANDLE
ANTI-RECOIL CAP -②	:	01-6471-1005
VALVE GUARD -③	:	15-9604-0014
MATERIAL	:	STEEL, 34CrMo4
WEIGHT EMPTY APPROX.	:	196 kg
WEIGHT FILLED APPROX.	:	236.15 kg
COLOUR CODING	:	RED BODY (RAL 3000) BRIGHT GREEN (RAL6018) SHOULDER
SPECIFICATION	:	EN 1964-2, ISO 9809-2, TPED (PI MARK), Third Party Inspection : TUV