

Drawn / Date
MA 07/04/05

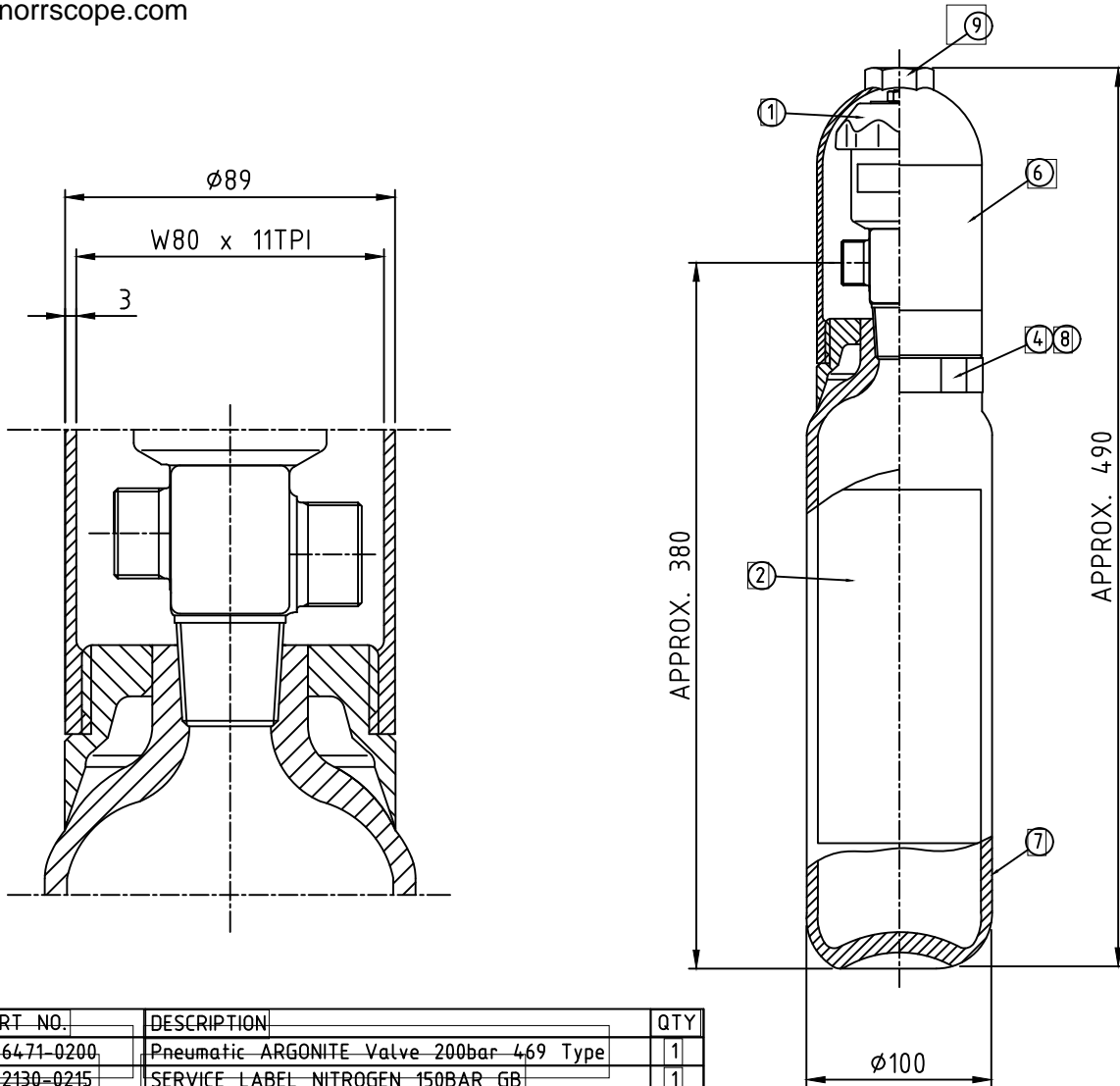
App. by / Date
RK 07/04/05

Date of issue
17/01/24

Rev.
2

DCN
24-003

sales@norrscope.com



NO.	PART NO.	DESCRIPTION	QTY
1.	01-6471-0200	Pneumatic ARGONITE Valve 200bar 469 Type	1
2.	01-2130-0215	SERVICE LABEL NITROGEN 150BAR GB	1
3.	B9999-018	BOX - PILOT CYL - ONLY	1
4.	01-2144-0100	LOT TRACK LABEL	1
5.	B2416-111	LABEL NITROGEN GREEN DIAMOND	1
6.	01-2100-0910	P/N LABEL - NITROGEN (BLACK) IG-100	1
7.	03-1112-5900	CYLINDER 2L 200 BAR (EMPTY) WORTHINGTON	1
8.	C9157-806	"VALVE OUTLET" INDICATION ARROW LABEL	1
9.	01-1324-0101	Argonite Cylinder Cap - S Type 101	1

CYLINDER MFR. CODE : TPED 2010/35/EU, UK TPE, UN & DOT
 TRANSPORT : ONLY WITH SAFETY CAP FITTED
 TEST PRESSURE : 300 bar
 FILL PRESSURE : 150 bar @ 20°C
 CAPACITY : 2 L
 NITROGEN CAPACITY : 0.29 m³
 NITROGEN FILLING : 0.34 kg
 VALVE : 01-6471-0200
 MATERIAL : STEEL, CrMo
 WEIGHT EMPTY APPROX : 4.0 kg
 WEIGHT FILLED APPROX. : 4.34 kg
 COLOUR : RED BODY / BLACK SHOULDER
 ADAPTOR : 01-6471-1000 - ADAPTOR M25 x 1/4" BSPP CONE - NOT INCLUDED
 TRANSPORT CAP : ISO 11117