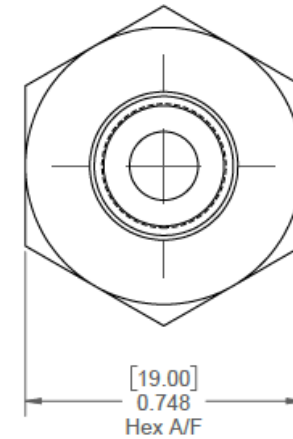
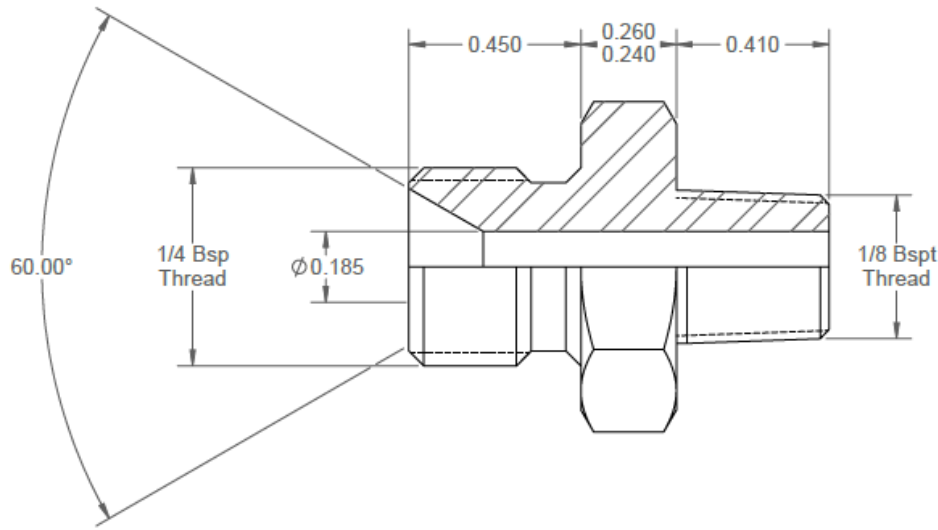


Chf.Hex To A/F @
30° Both Sides

DWG NO:
00305

FILE LOCATION: C:\CAD SYSTEM\CAD SYSTEM\PRODUCTION PARTS\BSP MALE x BSPT MALE.DRAW

Regent Part No. 1BT-4-2
Kidde Products Ref. 6-15-8662-0042



DEBURR AND BREAK SHARP EDGES					DIMENSIONS ARE IN INCH			ALL SEALING FACES: 63.5µin		TITLE:	
Date	No.	Modification	DRAWN	CHK'D	GENERAL TOLERANCES: +/- 0.010			SCREW THREADS:		1/4 Bsp Male x 1/8 Bsp Male	
10/08/18	2	Changed 1/4 Bsp Male Bore Size From 0.250 To 0.185	RF	DB	ANGULAR: +/- 0.5°			Bsp Thread BSEN90228-1:2003 Class A			
10/08/18	2	Shorten 1/8 Bsp Stud End Length From 0.437 To 0.410	RF	DB	UNLESS STATED			Bsp Thread BSEN 10226-1:2004		DWG NO. 00305	
					NAME	SIGNATURE	DATE	FINISH:		A3	
					DRAWN Rich Frappell		10/08/18	Fe\Zn8\CaT2		SCALE:	
					CHKD Dan Burnett		10/08/18	MATERIAL:		SHEET 1 OF 1	
					CHKD Paul Burnett		10/08/18	11SMnPb37		REVISION: 2	