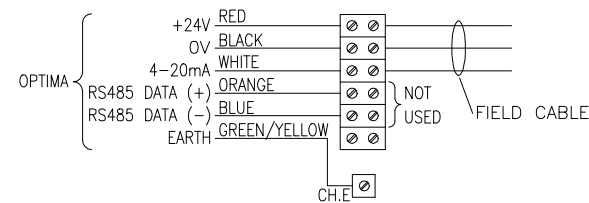


ITEM LIST:

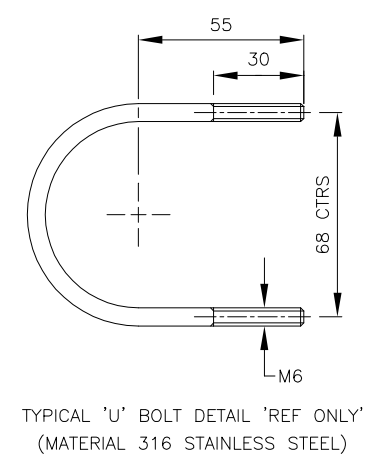
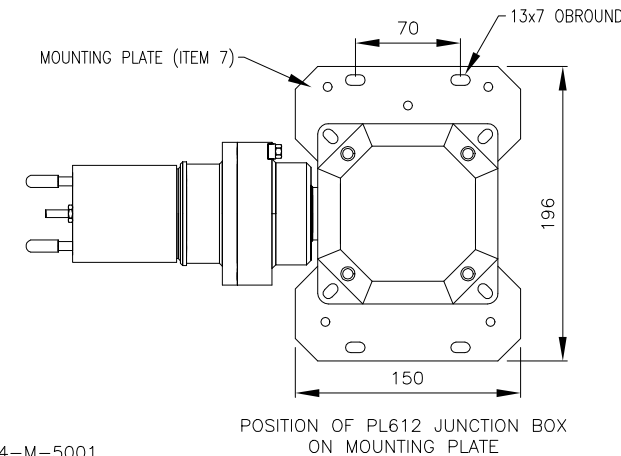
- 1. 2108B2001 SEARCHPOINT OPTIMA PLUS INFRA-RED DETECTOR
EExd 112G T4(-40°C TO +65°C), T5(-40°C TO +55°C)
BASEEFA No. 99ATEX2259X, DEGREE OF PROTECTION IP66
316 STAINLESS STEEL ELECTRO-POLISHED
WEIGHT 1.65kg
- 2. EXTERNAL EARTHING POINT (M5 FITTING)
- 3. NYLON SEALING WASHER (SUPPLIED WITH DETECTOR)
- 4. 2108B0276 STANDARD BAFFLE WEATHER PROTECTION
PLASTIC MOULDED (-40°C TO +65°C)
WEIGHT 0.106kg
- 5. 04200-A-1055 DUST COVER
- 6. 00780-A-0100 BARTEC OTB 122 JUNCTION BOX
Exe II T6 (-20°C TO +65°C)
BASEEFA No. 98ATEX3008X, DEGREE OF PROTECTION IP66
POLYESTER BLACK
1xM25, 3xM20
WEIGHT 1.0kg
- 7. 04200-A-1041 MOUNTING PLATE ASSEMBLY
- 8. 2108D0275 SEARCHPOINT OPTIMA PLUS - DELUGE/HEAT SHADE
PLASTIC MOULDED

TERMINAL CONNECTION DETAIL
CONDUCTORS 6mm SQ. MAX.



NOTES:

1. DETECTOR ORIENTATION/ALIGNMENT TO BE MOUNTED WITH IT'S LENGTH (315 REF) IN HORIZONTAL PLANE
2. BOLTS FOR FIXING PL612 JUNCTION BOX TO MOUNTING PLATE ARE NOT SUPPLIED
3. INSTALLATION IN CONJUNCTION WITH MANUAL: 04200-M-5001 & 05704-M-5001



THIS DRAWING IS CONFIDENTIAL
IT IS THE PROPERTY OF
ZELLWEGER ANALYTICS LTD
AND MUST NOT BE REPRODUCED
EITHER WHOLLY OR PARTLY.
ALL RIGHTS IN RESPECT OF
PATENTS, DESIGNS AND
COPYRIGHT ARE RESERVED.

TOLERANCES TO BE AS SPECIFIED BELOW UNLESS OTHERWISE STATED.	
DIMS.	2 DP ± 0.1 mm 1 DP ± 0.25 mm NONE ± 0.4 mm ANGULAR ± 1/2 °
HOLES.	ø 0 to 8 + 0.08 - 0.0 ø 8 to 14 + 0.1 - 0.0 ø 14 to 25 + 0.12 - 0.0

ALL DIMENSIONS IN MILLIMETRES UNLESS OTHERWISE STATED. AND APPLY AFTER PLATING
THIS DRAWING IS TO BS 308
REMOVE ALL BURRS AND SHARP EDGES
SURFACE TEXTURE VALUES ARE IN um Ra AND TO BS 1134

FINISH	MATERIAL	SCALE	DR'N	C.B	CH'D	TC	APP'D
		N.T.S	15.05.01			15.05.01	
		A	TITLE				
		15.05.01	OUTLINE INSTALLATION				
		FIRST ISSUE	SEARCHPOINT OPTIMA PLUS & BARTEC OTB 122 JUNCTION BOX				
		C.B	90084-B-3201				

SCALE	DR'N	C.B	CH'D	TC	APP'D
N.T.S	15.05.01			15.05.01	
A	TITLE				
15.05.01	OUTLINE INSTALLATION				
FIRST ISSUE	SEARCHPOINT OPTIMA PLUS & BARTEC OTB 122 JUNCTION BOX				
C.B	90084-B-3201				